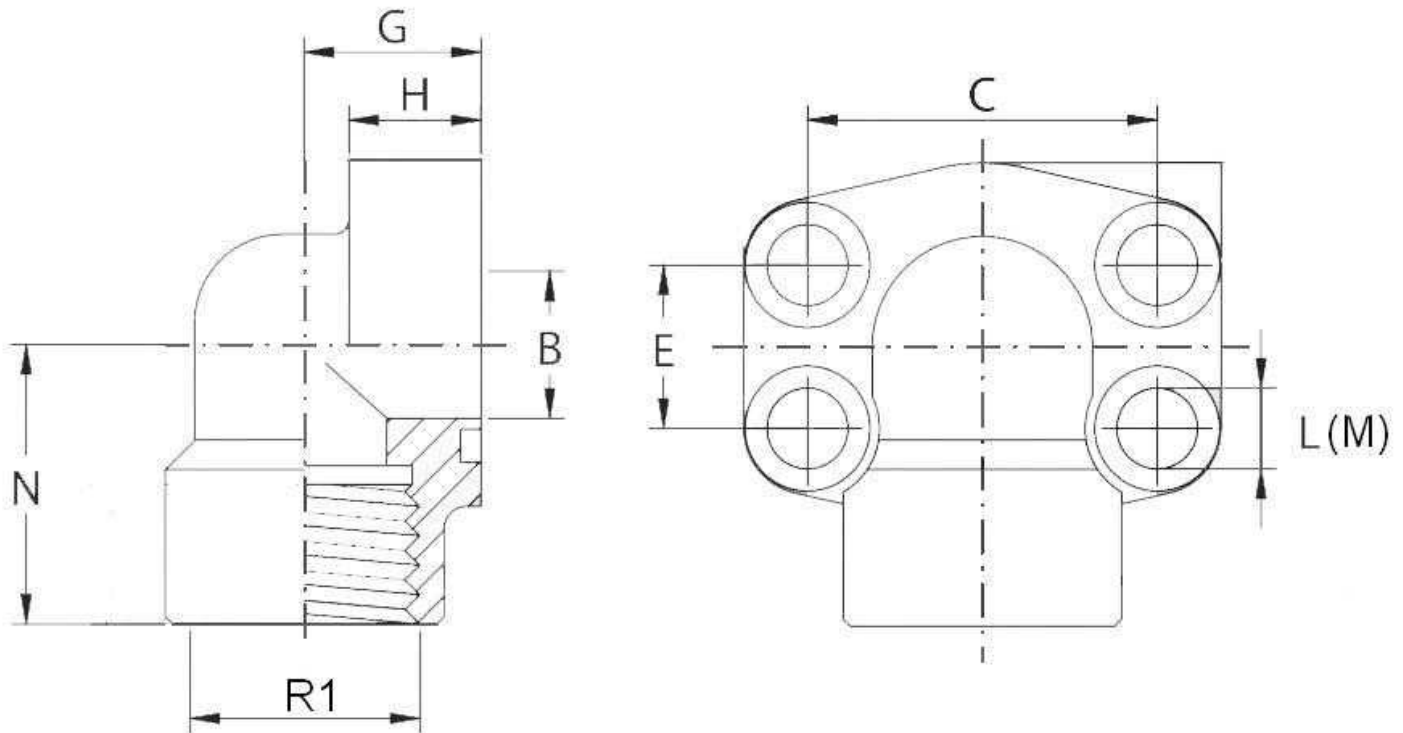


90° BSP female threaded flange

Mild Steel



Part nº	Serie	R1	Size	Screw	O'Ring	OR 1	PU Joint	ØB	ØL	C	E	G	H	M	N
B90RG30808	3000 PSI	1/2" BSP	1/2"	TB8X30	4075	18.64X3.53	JBR08	13	9	38,1	17,48	20	16	M8x30	37
B90RG30806	3000 PSI	3/8" BSP	1/2"	TB8X30	4075	18.64X3.53	JBR08	13	9	38,1	17,48	20	16	M8x30	37
B90RG31212	3000 PSI	3/4" BSP	3/4"	TB10X35	4100	24.99X3.53	JBR12	19	11	47,63	22,23	24	18	M10x35	38
B90RG31616	3000 PSI	1" BSP	1"	TB10X35	4131	32.92X3.53	JBR16	25	11	52,37	26,19	28	19	M10x35	43
B90RG32020	3000 PSI	1"1/4 BSP	1"1/4	TB10X40	4150	37.70X3.53	JBR20	32	11,5	58,72	30,18	34	21	M10x40	51
B90RG32424	3000 PSI	1"1/2 BSP	1"1/2	TB12X45	4187	47.22X3.53	JBR24	38	13,5	69,85	35,71	38	25	M12x45	56
B90RG33232	3000 PSI	2" BSP	2"	TB12X45	4225	56.74X3.53	JBR32	51	13,5	77,77	42,88	42	25	M12x45	65
B90RG60808	6000 PSI	1/2" BSP	1/2"	TB8X30	4075	18.64X3.53	JBR08	13	9	40,49	18,24	20	16	M8x30	37
B90RG60806	6000 PSI	3/8" BSP	1/2"	TB8X30	4075	18.64X3.53	JBR08	13	9	40,49	18,24	20	16	M8x30	37
B90RG61212	6000 PSI	3/4" BSP	3/4"	TB10X40	4100	24.99X3.53	JBR12	19	11	50,8	23,80	28	19	M10x35	43
B90RG61616	6000 PSI	1" BSP	1"	TB12X45	4131	32.92X3.53	JBR16	25	13	57,15	27,76	34	21	M12x45	51
B90RG62020	6000 PSI	1"1/4 BSP	1"1/4	TB14X45	4150	37.70X3.53	JBR20	32	15 *	66,68	31,75	38	25	M14x45	56
B90RG62424	6000 PSI	1"1/2 BSP	1"1/2	TB16X50	4187	47.22X3.53	JBR24	38	17	79,38	36,50	42	25	M16x50	65

*** Review attached PDF***

The screws and joints are sold separately.

SCREWS AND JOINTS SAE FLANGES

		SCREW	JOINT (NBR)	JOINT (POLYURETHANE)
3000 PSI	1/2	TB 8X30	18,64 X 3,53	JBR08
	3/4	TB 10X35	24,99 X 3,53	JBR12
	1	TB 10X35	32,92 X 3,53	JBR16
	1 1/4	TB 10X40	37,70 X 3,53	JBR20
	1 1/2	TB 12X45	47,22 X 3,53	JBR24
	2	TB 12X45	56,74 X 3,53	JBR32
	2 1/2	TB 12X45		
	3"	TB 16X50		
	3" 1/2	TB 16X50		
	4"	TB 16X50		
	5"	TB 16X50		
6000 PSI	1/2	TB 8X30	18,64 X 3,53	JBR08
	3/4	TB 10X40	24,99 X 3,53	JBR12
	1	TB 12X45	32,92 X 3,53	JBR16
	1 1/4	TB 14X45	37,70 X 3,53	JBR20
	1 1/2	TB 16X50	47,22 X 3,53	JBR24
	2	TB 20X70	56,74 X 3,53	JBR32