

MPF

Maximum pressure 8 bar
Flow rates to 750 l/min



Technical data

Filter housing (Materials)

- Head: Aluminium
- Cover: Nylon (only for: MPF 020-030-100-104-110)
Aluminium (all the other)

Pressure

- Working pressure: 8 bar (0,8 MPa)

Temperature

- From -25 °C to +110 °C

Bypass valve

- Opening pressure 1,75 bar \pm 10%
- Opening pressure 3 bar \pm 10%

Δp Elements type

- Microfibre filter elements series H: 10 bar
- Fluid flow through the filter element from OUT to IN.

Seals

- Standard NBR series A
- Optional FPM series V

MPF FILTERS ARE PROVIDED FOR VERTICAL MOUNTING

Weights (kg)

| Length | 1 | 2 | 3 | 4 |
|---------------|------|------|------|------|
| • MPF 020 | 0,30 | - | - | - |
| • MPF 030 | 0,40 | - | - | - |
| • MPF 100 | 0,61 | 0,64 | 0,67 | 0,74 |
| • MPF 104 | 0,82 | 0,96 | 1,02 | 1,25 |
| • MPF 110 | 0,64 | 0,68 | 0,71 | 0,78 |
| • MPF 181 | 2,20 | 3,00 | - | - |
| • MPF 182 | 2,30 | 3,10 | - | - |
| • MPF 184 | 2,55 | 3,45 | - | - |
| • MPF 191 | - | 3,00 | - | - |
| • MPF 192 | - | 3,10 | - | - |
| • MPF 194 | - | 3,45 | - | - |
| • MPF 400 | 3,35 | 3,65 | 3,90 | - |
| • MPF 410 | 3,55 | 3,85 | 4,10 | - |
| • MPF 450-451 | 3,95 | 4,25 | 4,50 | - |
| • MPF 750 | 6,30 | - | - | - |

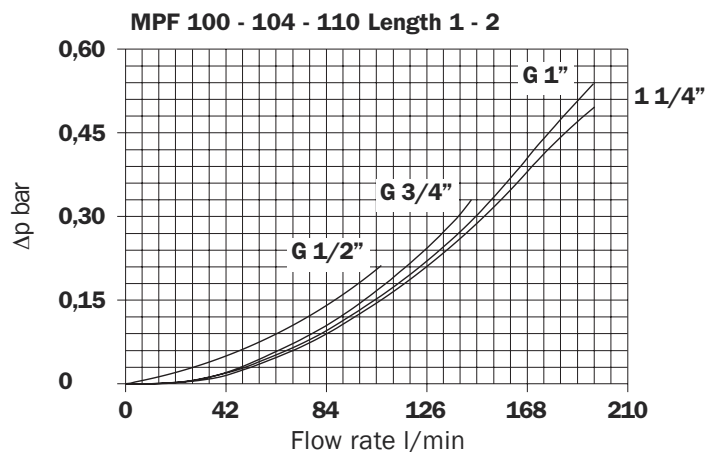
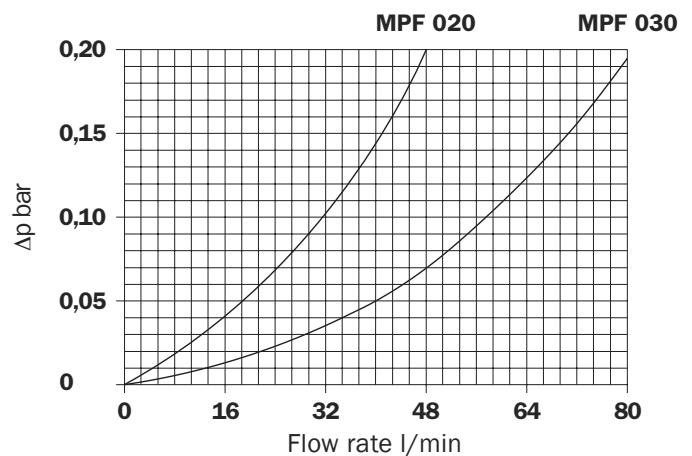
Volumes (dm³)

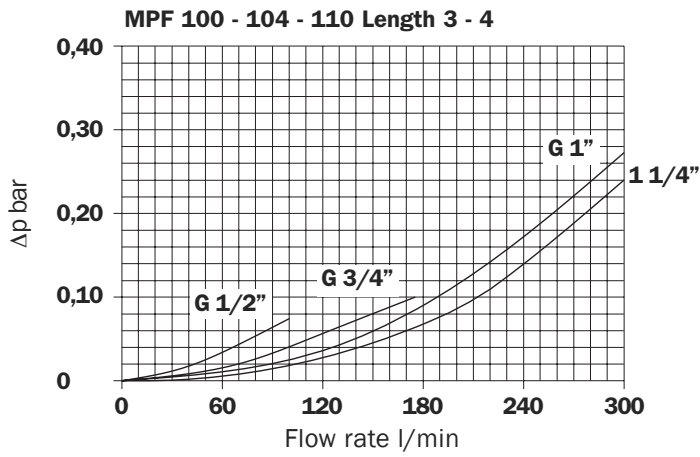
| Length | 1 | 2 | 3 | 4 |
|---------------|------|------|------|------|
| • MPF 020 | 0,26 | - | - | - |
| • MPF 030 | 0,29 | - | - | - |
| • MPF 100 | 0,64 | 0,85 | 1,20 | 1,65 |
| • MPF 104 | 0,64 | 0,85 | 1,20 | 1,65 |
| • MPF 181 | 2,50 | 4,00 | - | - |
| • MPF 182 | 2,50 | 4,00 | - | - |
| • MPF 184 | 2,65 | 4,45 | - | - |
| • MPF 191 | - | 4,25 | - | - |
| • MPF 192 | - | 4,25 | - | - |
| • MPF 194 | - | 4,45 | - | - |
| • MPF 400-410 | 3,70 | 4,60 | 5,40 | - |
| • MPF 450-451 | 3,70 | 4,60 | 5,40 | - |
| • MPF 750 | 8,45 | - | - | - |

Filter housings Δp pressure drop

The curves are plotted utilising mineral oil with density of 0,86 kg/dm³ to ISO 3968.

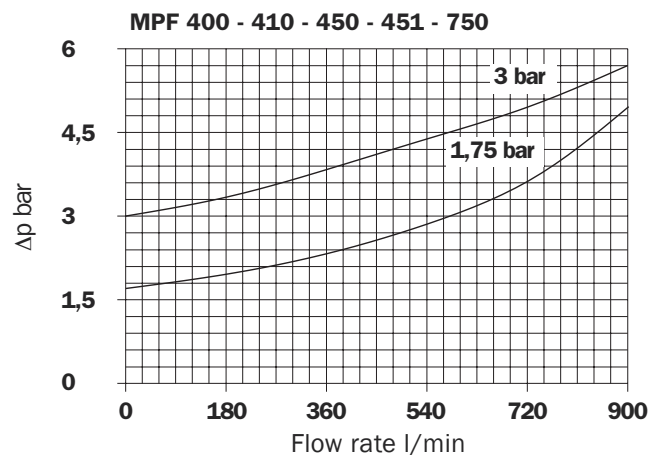
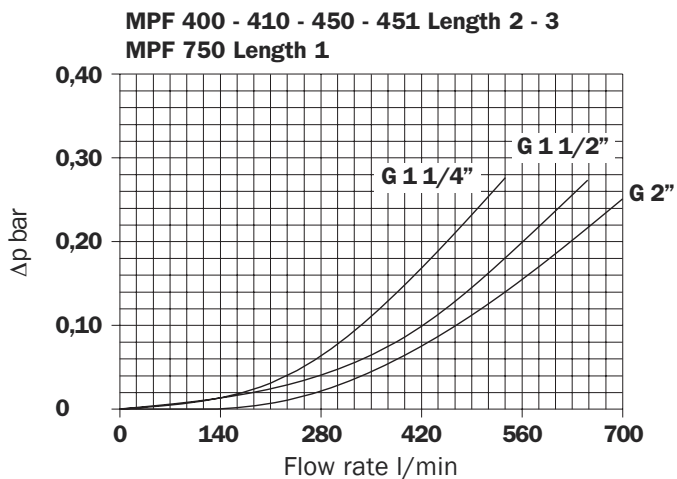
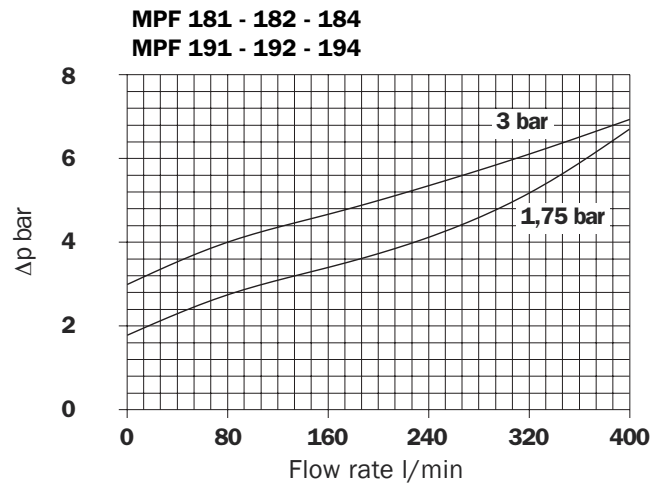
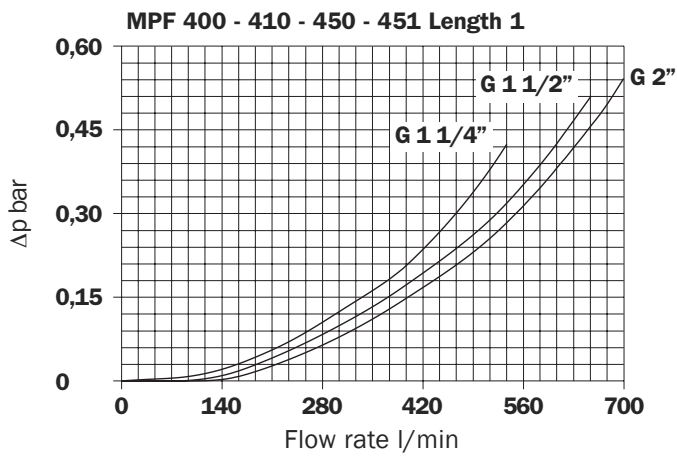
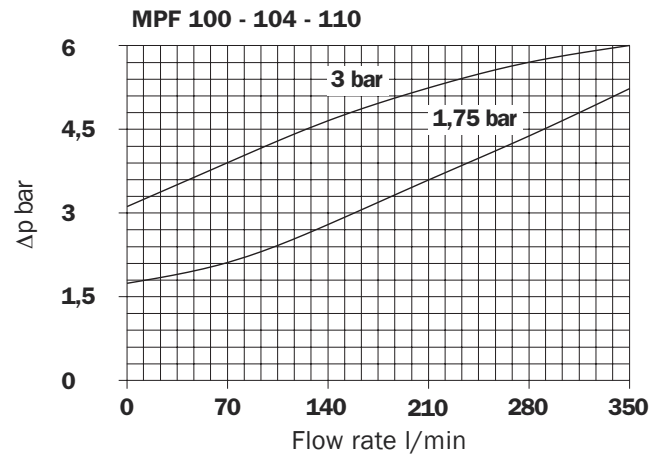
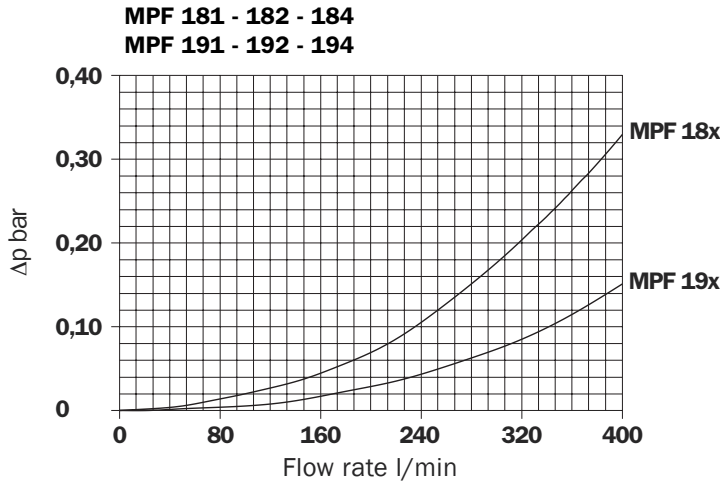
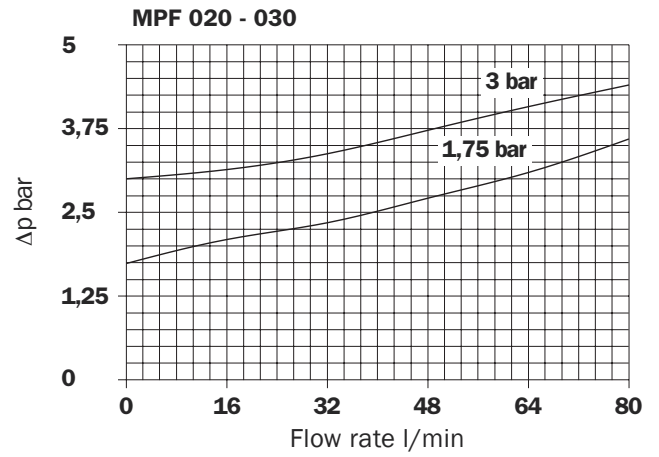
Δp varies proportionally with density.





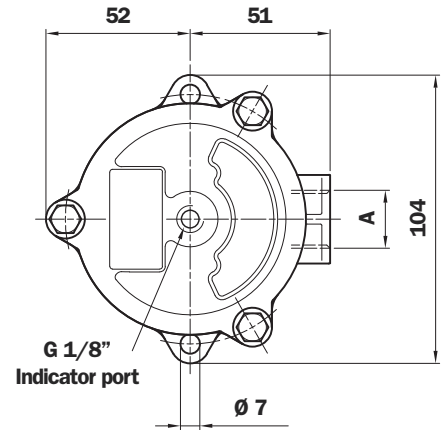
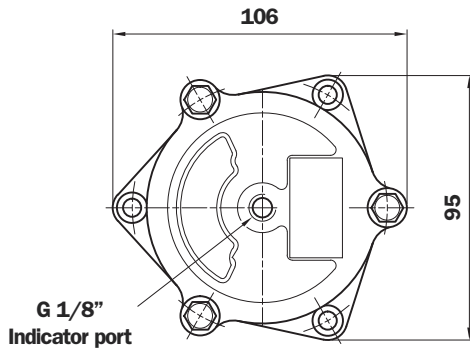
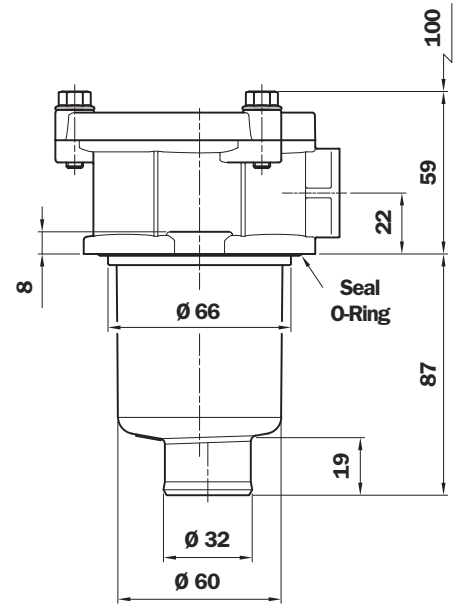
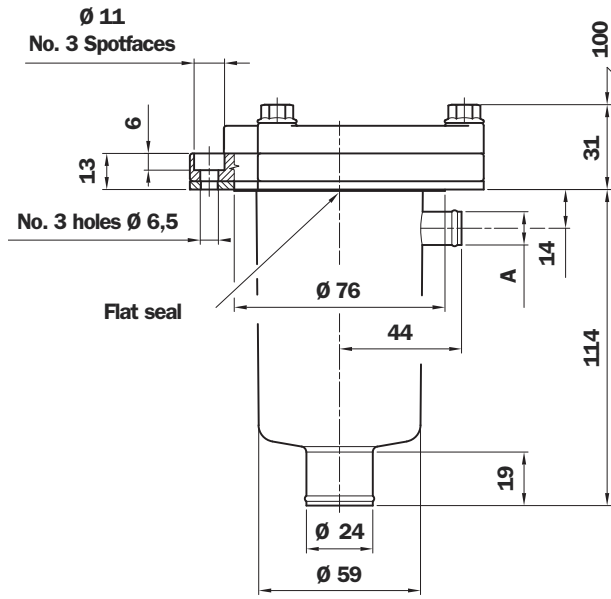
Valves

Bypass valve pressure drop



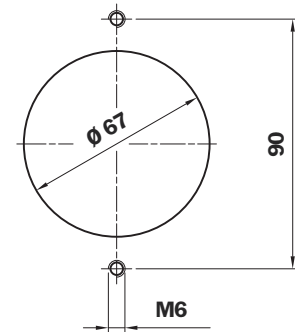
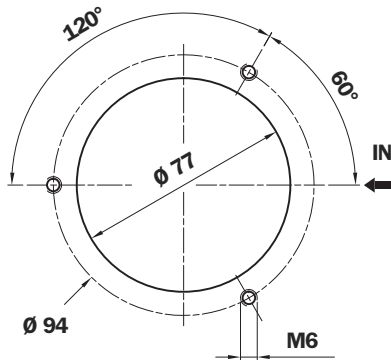
MPF 020

MPF 030



Holes on the tank

Holes on the tank



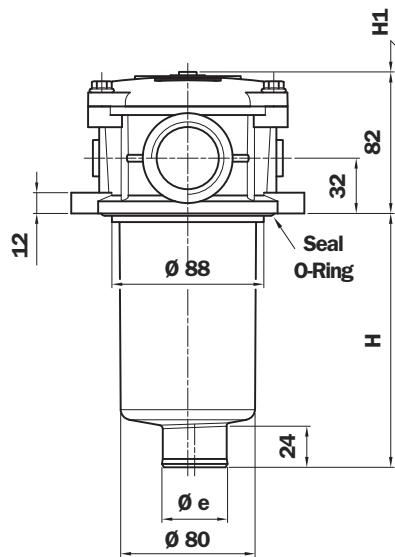
MPF 020 Connection

| Type | A |
|------|------------------------------|
| P1 | Hose barb - $\varnothing 12$ |

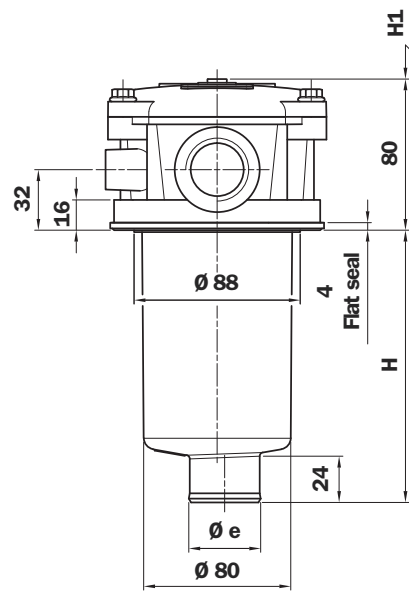
MPF 030 Thread connections

| Type | A |
|------|-----------------------|
| G1 | G 1/2" |
| G4 | 1/2" NPT |
| G7 | SAE 8 - 3/4" - 16 UNF |

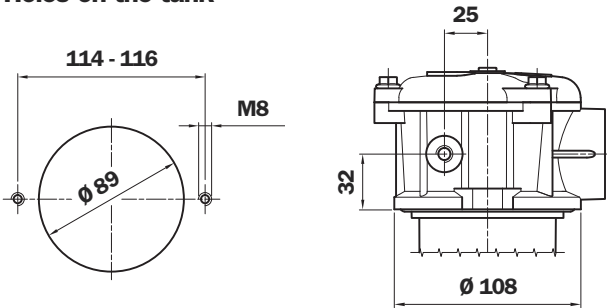
MPF 100



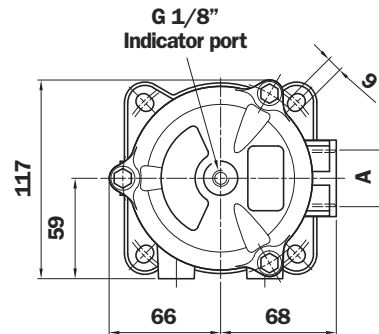
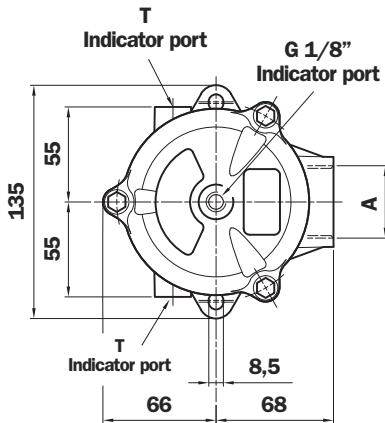
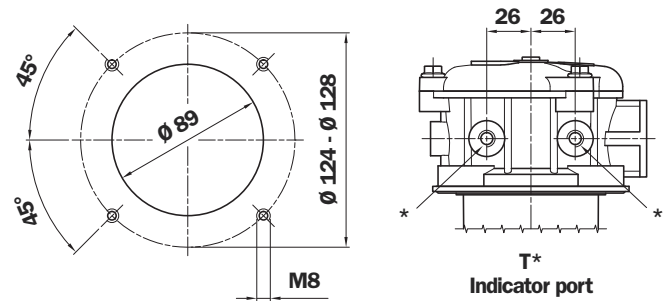
MPF 104



Holes on the tank



Holes on the tank



MPF 100

| Filter Length | H mm | H1 mm | Ø e mm |
|---------------|------|-------|--------|
| 1 | 100 | 120 | 38 |
| 2 | 147 | 170 | 38 |
| 3 | 225 | 250 | 46,5 |
| 4 | 327 | 350 | 46,5 |

T indicator port
G 1/4" - 1/4" NPT
ON REQUEST

MPF 100 - Thread connections

| Type 1 | T | Type 2 | T | A |
|--------|--------------------------------|--------|----------|--------------------------|
| G1 | Indicator port not machined | C1 | G 1/8" | G 1/2" |
| G2 | | C2 | G 1/8" | G 3/4" |
| G3 | | C3 | G 1/8" | G 1" |
| G10 | | C10 | G 1/8" | G 1 1/4" |
| G4 | | C4 | 1/8" NPT | 1/2" NPT |
| G5 | | C5 | 1/8" NPT | 3/4" NPT |
| G6 | | C6 | 1/8" NPT | 1" NPT |
| G11 | | C11 | 1/8" NPT | 1 1/4" NPT |
| G7 | | C7 | 1/8" NPT | SAE 8 - 3/4" - 16 UNF |
| G8 | | C8 | 1/8" NPT | SAE 12 - 1 1/16" - 12 UN |
| G9 | | C9 | 1/8" NPT | SAE 16 - 15/16" - 12 UN |
| G12 | | C12 | 1/8" NPT | SAE 20 - 15/8" - 12 UN |

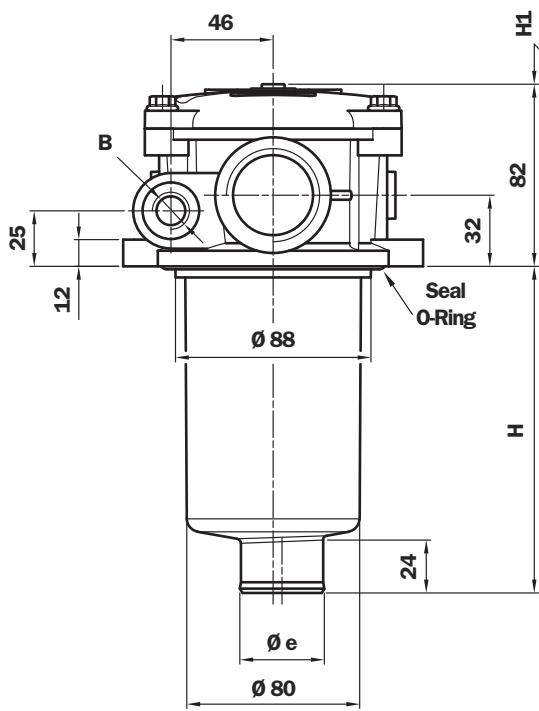
MPF 104

| Filter Length | H mm | H1 mm | Ø e mm |
|---------------|------|-------|--------|
| 1 | 101 | 120 | 38 |
| 2 | 148 | 170 | 38 |
| 3 | 226 | 250 | 46,5 |
| 4 | 328 | 350 | 46,5 |

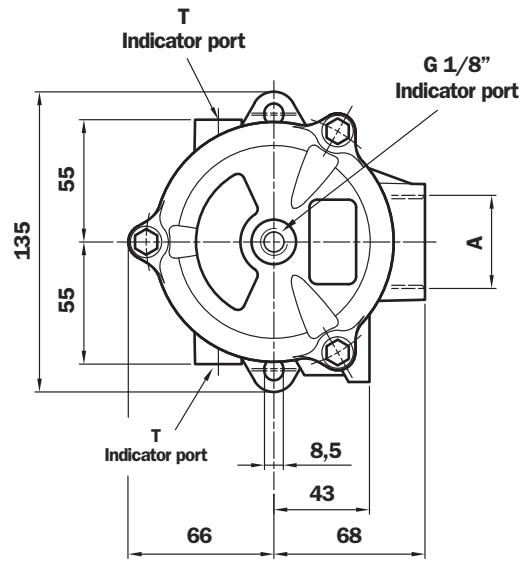
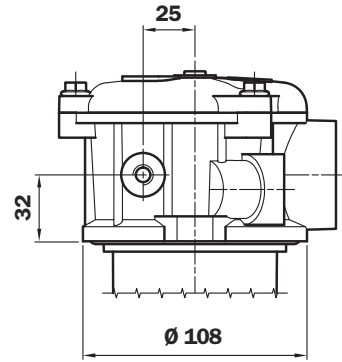
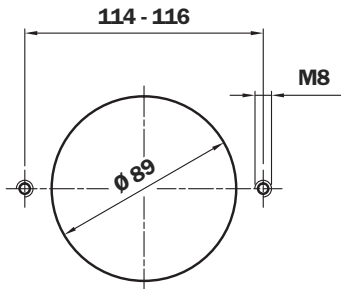
MPF 104 - Thread connections

| Type 1 | T | Type 2 | T | A |
|--------|--------------------------------|--------|----------|--------------------------|
| G1 | Indicator port not machined | C1 | G 1/8" | G 1/2" |
| G2 | | C2 | G 1/8" | G 3/4" |
| G3 | | C3 | G 1/8" | G 1" |
| G4 | | C4 | 1/8" NPT | 1/2" NPT |
| G5 | | C5 | 1/8" NPT | 3/4" NPT |
| G6 | | C6 | 1/8" NPT | 1" NPT |
| G7 | | C7 | 1/8" NPT | SAE 8 - 3/4" - 16 UNF |
| G8 | | C8 | 1/8" NPT | SAE 12 - 1 1/16" - 12 UN |
| G9 | | C9 | 1/8" NPT | SAE 16 - 15/16" - 12 UN |

MPF 110



Holes on the tank



Multiport

| Filter Length | H mm | H1 mm | Ø e mm |
|---------------|------|-------|--------|
| 1 | 100 | 120 | 38 |
| 2 | 147 | 170 | 38 |
| 3 | 225 | 250 | 46,5 |
| 4 | 327 | 350 | 46,5 |

T indicator port
G 1/4" - 1/4" NPT
ON REQUEST

Thread connections A

| Type | T | A |
|------|----------|--------------------------|
| G1 | G 1/8" | G 1/2" |
| G2 | G 1/8" | G 3/4" |
| G3 | G 1/8" | G 1" |
| G10 | G 1/8" | G 1 1/4" |
| G4 | 1/8" NPT | 1/2" NPT |
| G5 | 1/8" NPT | 3/4" NPT |
| G6 | 1/8" NPT | 1" NPT |
| G11 | 1/8" NPT | 1 1/4" NPT |
| G7 | 1/8" NPT | SAE 8 - 3/4" - 16 UNF |
| G8 | 1/8" NPT | SAE 12 - 1 1/16" - 12 UN |
| G9 | 1/8" NPT | SAE 16 - 1 5/16" - 12 UN |
| G12 | 1/8" NPT | SAE 20 - 1 5/8" - 12 UN |

| Thread connections A | Thread connections B | |
|----------------------|------------------------|-----------------------|
| | 1 | 2 |
| G1 - G2 - G3 - G10 | G 3/8" | G 1/2" |
| G4 - G5 - G6 - G11 | 3/8" NPT | 1/2" NPT |
| G7 - G8 - G9 - G12 | SAE 6 - 9/16" - 18 UNF | SAE 8 - 3/4" - 16 UNF |



Standard Single In Port



Double In Port Option: Double Indicator Port



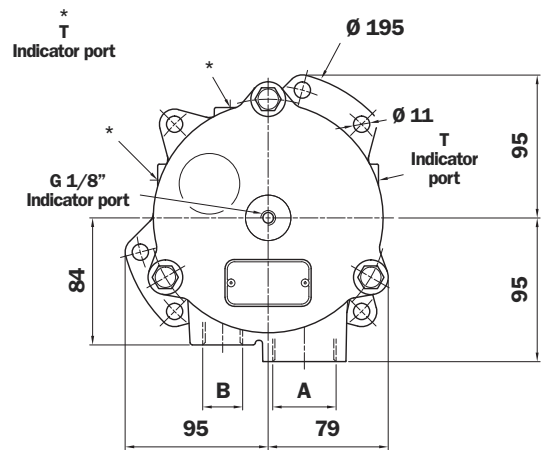
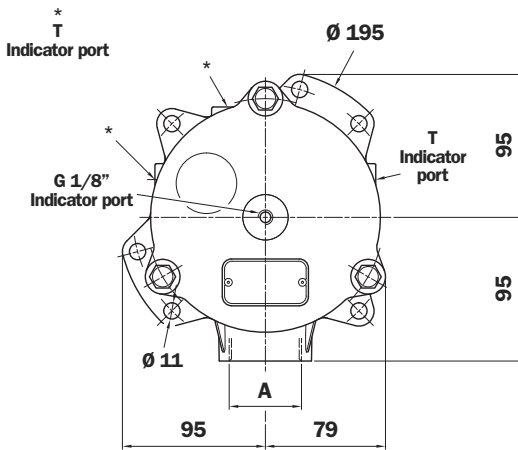
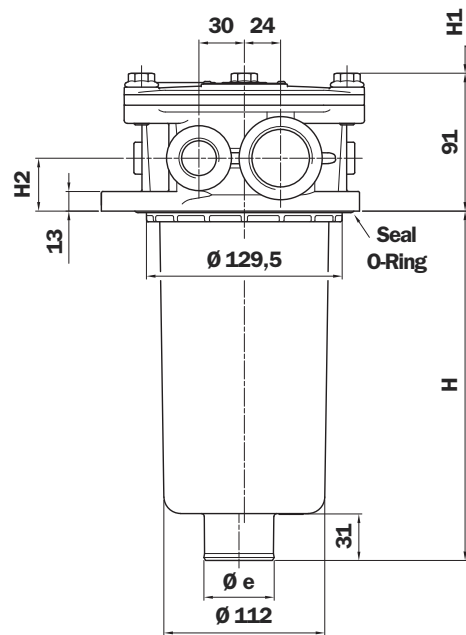
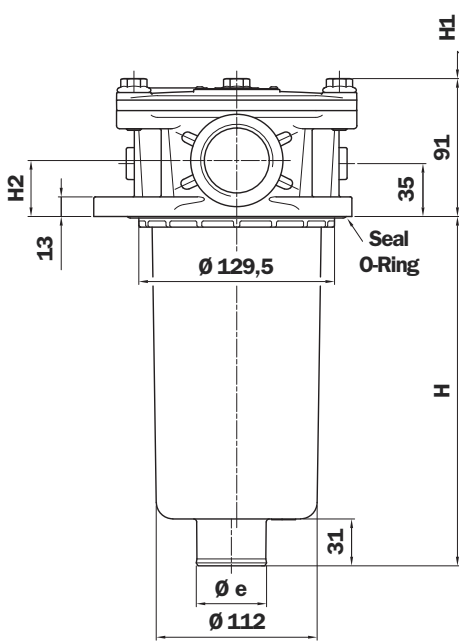
Double In Port Drain Port Option: Indicator Port



Double In Port Double Drain Port

MPF 181 - 191

MPF 182 - 192



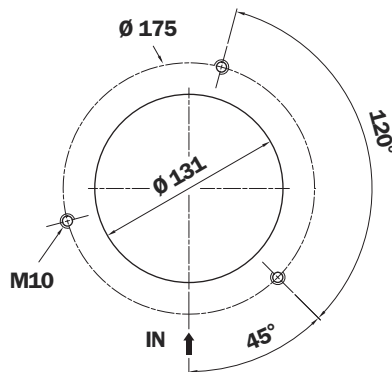
2 option holes on the tank

| MPF | Filter Length | H mm | H1 mm | Ø e mm |
|-----------|---------------|------|-------|--------|
| 181 - 182 | 1 | 233 | 255 | 47 |
| | 2 | 445 | 475 | 47 |
| 191 - 192 | 2 | 445 | 475 | 50 |

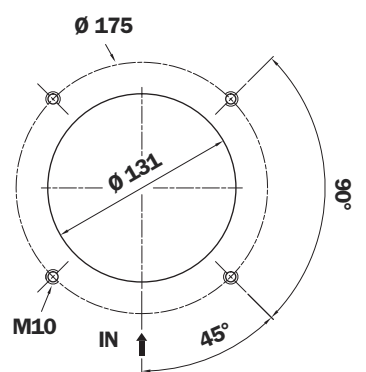
MPF 181 - 191 Thread connections A

| Type 1 | T | Type 2 | T | A | H2 |
|--------|--------------------------------|--------|----------|-------------------------|----|
| G1 | Indicator port not machined | C1 | G 1/8" | G 1 1/4" | 35 |
| G4 | | C4 | 1/8" NPT | 1 1/4" NPT | 35 |
| G7 | | C7 | 1/8" NPT | SAE 20 - 1 5/8" - 12 UN | 35 |
| G2 | | C2 | G 1/8" | G 1 1/2" | 37 |
| G5 | | C5 | 1/8" NPT | 1 1/2" NPT | 37 |
| G8 | | C8 | 1/8" NPT | SAE 24 - 1 7/8" - 12 UN | 37 |

3 holes assembly



4 holes assembly



MPF 182 - 192 Thread connections A

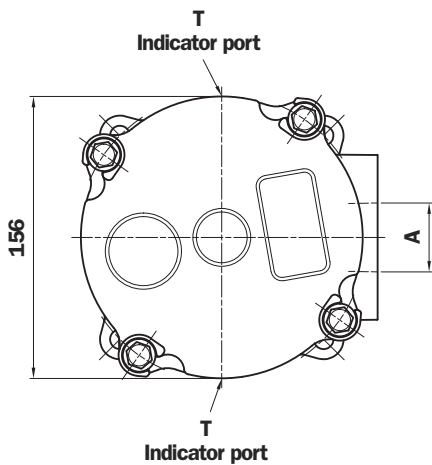
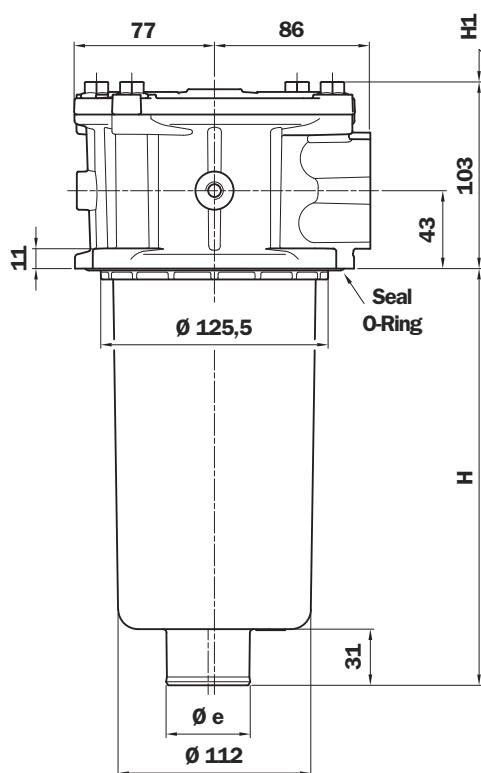
| Type 1 | T | Type 2 | T | A | H2 |
|--------|------------------------|--------|----------|-------------------------|----|
| G1 | Ind. port not mach. | C1 | G 1/8" | G 1 1/4" | 35 |
| G4 | | C4 | 1/8" NPT | 1 1/4" NPT | 35 |
| G7 | | C7 | 1/8" NPT | SAE 20 - 1 5/8" - 12 UN | 35 |

| Thread connections A | Thread connections B (only for MPF 182 - 192) | |
|----------------------|---|--------------------------|
| | 1 | 2 |
| G1 - C1 | G 1/2" | G 3/4" |
| G4 - C4 | 1/2 NPT | 3/4" NPT |
| G7 - C7 | SAE 8 - 3/4" - 16 UNF | SAE 12 - 1 1/16" - 12 UN |

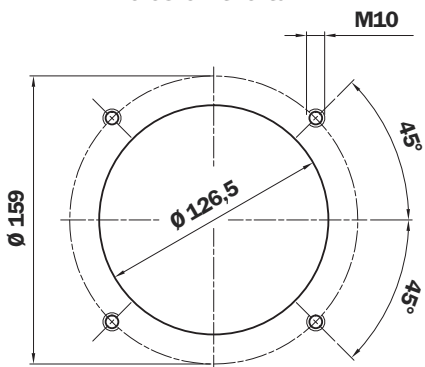
T indicator port
G 1/4" - 1/4" NPT
ON REQUEST

MPF 184 - 194

1 connection port



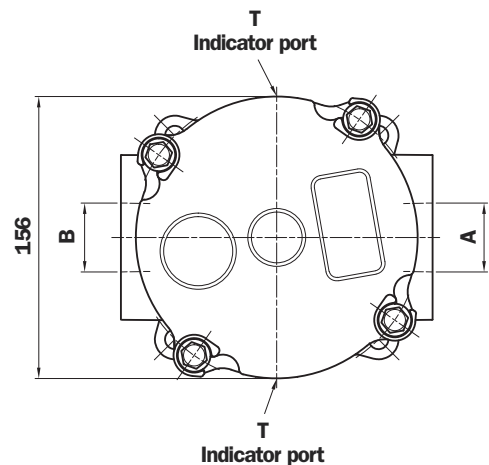
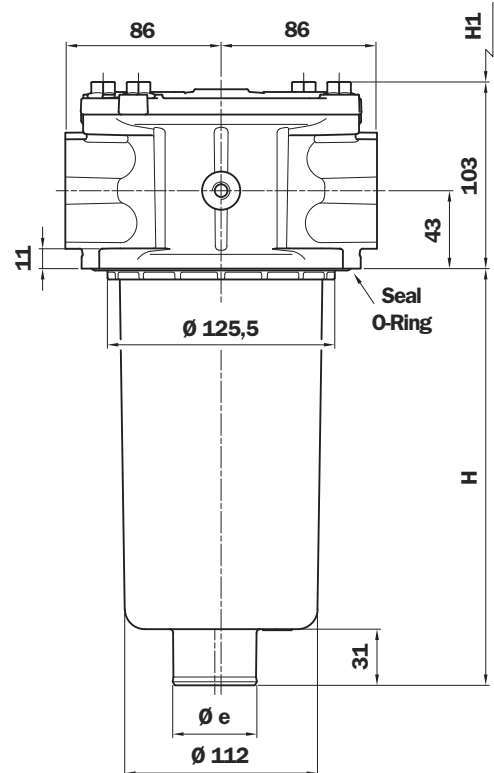
Holes on the tank



| MPF | Filter Length | H mm | H1 mm | Ø e mm |
|-----|---------------|------|-------|--------|
| 184 | 1 | 230 | 260 | 47 |
| | 2 | 442 | 480 | 47 |
| 194 | 2 | 441 | 480 | 50 |

MPF 184 - 194

2 connection port



Thread connections

| Type | A | | T |
|------|-------------------------|---|----------|
| G1 | G 1 1/4" | - | G 1/8" |
| G13 | G 1 1/2" | - | G 1/8" |
| G4 | 1 1/4" NPT | - | 1/8" NPT |
| G15 | 1 1/2" NPT | - | 1/8" NPT |
| G7 | SAE 20 - 1 5/8" - 12 UN | - | 1/8" NPT |
| G10 | SAE 24 - 1 7/8" - 12 UN | - | 1/8" NPT |

| Type | A | B | T |
|------|-------------------------|-------------------------|----------|
| G2 | G 1 1/4" | G 1 1/4" | G 1/8" |
| G14 | G 1 1/2" | G 1 1/4" | G 1/8" |
| G5 | 1 1/4" NPT | 1 1/4" NPT | 1/8" NPT |
| G16 | 1 1/2" NPT | 1 1/4" NPT | 1/8" NPT |
| G8 | SAE 20 - 1 5/8" - 12 UN | SAE 20 - 1 5/8" - 12 UN | 1/8" NPT |
| G11 | SAE 24 - 1 7/8" - 12 UN | SAE 20 - 1 5/8" - 12 UN | 1/8" NPT |

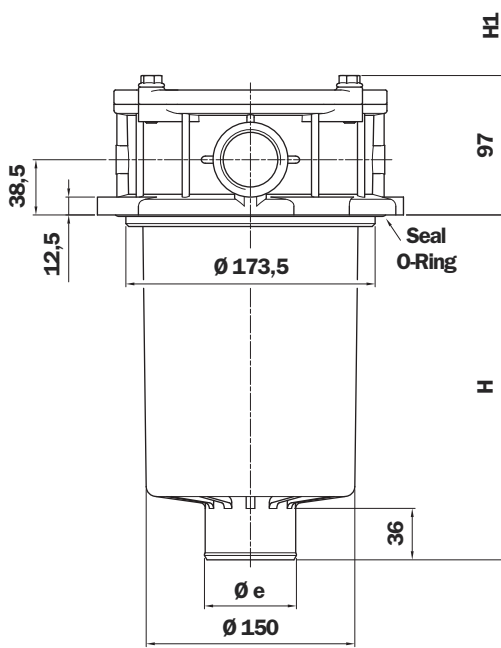
Flange connections*

| Type | A | | T |
|------|-------------------------|---|----------|
| F1 | 1 1/2" SAE 3000 psi/M | - | G 1/8" |
| F2 | 1 1/2" SAE 3000 psi/UNC | - | 1/8" NPT |

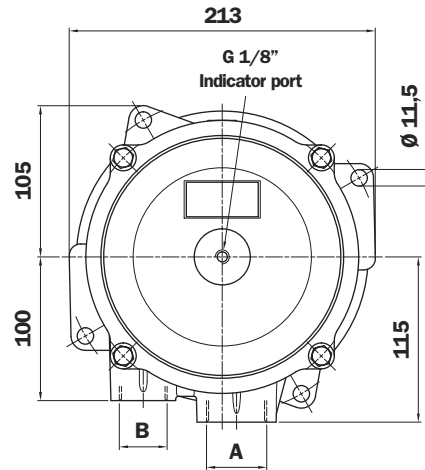
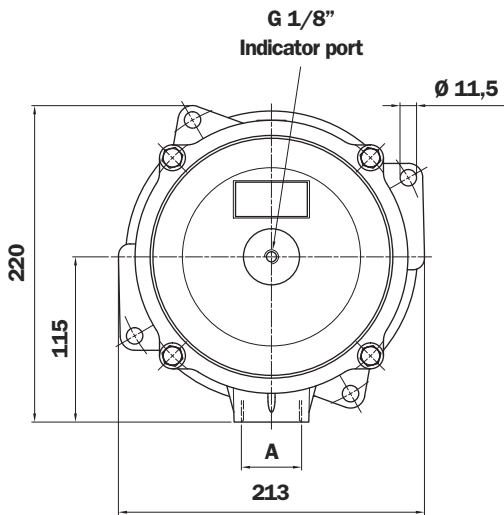
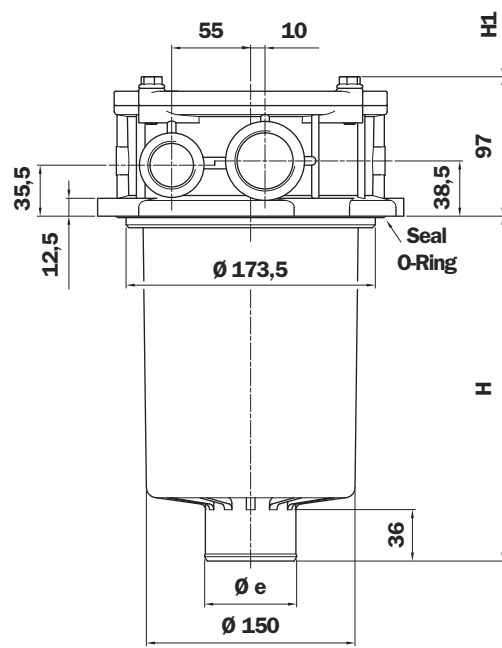
| Type | A | B | T |
|------|-------------------------|-------------------------|----------|
| F3 | 1 1/2" SAE 3000 psi/M | 1 1/2" SAE 3000 psi/M | G 1/8" |
| F4 | 1 1/2" SAE 3000 psi/UNC | 1 1/2" SAE 3000 psi/UNC | 1/8" NPT |

*Connections table "DN - SAE flange" see page 39

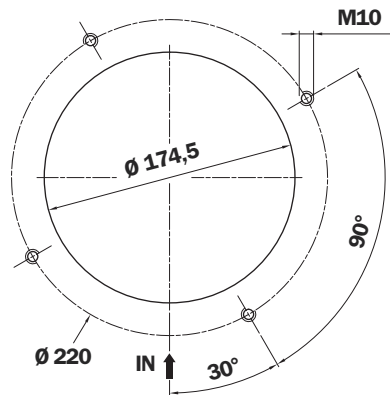
MPF 400



MPF 410



Holes on the tank



MPF 400 Thread connections

| Type | A |
|------|-------------------------|
| G1 | G 1 1/4" |
| G2 | G 1 1/2" |
| G3 | G 2" |
| G4 | 1 1/4" NPT |
| G5 | 1 1/2" NPT |
| G6 | 2" NPT |
| G7 | SAE 20 - 1 5/8" - 12 UN |
| G8 | SAE 24 - 1 7/8" - 12 UN |
| G9 | SAE 32 - 2 1/2" - 12 UN |

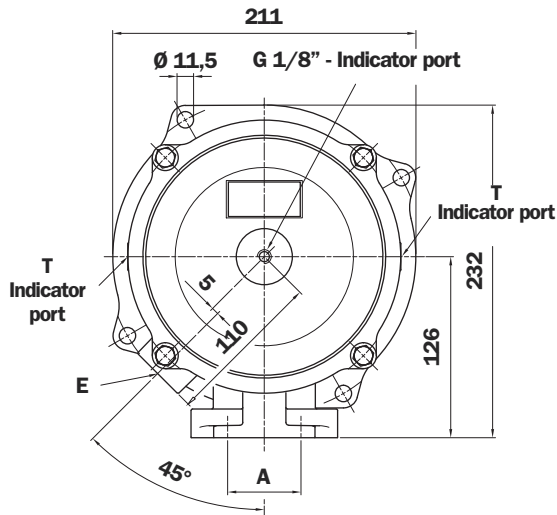
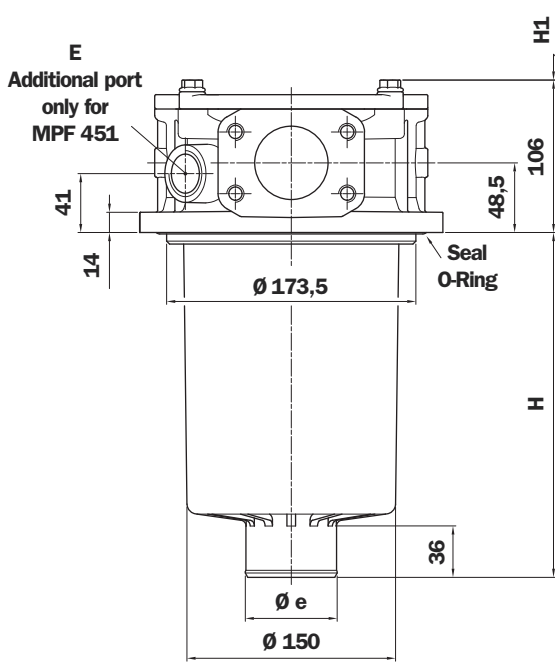
MPF 400 - 410

| Filter Length | H mm | H1 mm | Ø e mm |
|---------------|------|-------|--------|
| 1 | 180 | 210 | 51 |
| 2 | 240 | 270 | 64 |
| 3 | 290 | 315 | 64 |

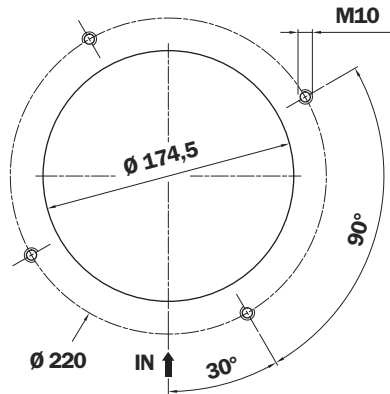
MPF 410 Thread connections

| Type | A | B |
|------|-------------------------|--------------------------|
| G1 | G 1 1/4" | G 1" |
| G4 | 1 1/4" NPT | 1" NPT |
| G7 | SAE 20 - 1 5/8" - 12 UN | SAE 16 - 1 5/16" - 12 UN |

MPF 450 - 451



Holes on the tank



MPF 450 - 451

| Filter Length | H mm | H1 mm | Ø e mm |
|---------------|------|-------|--------|
| 1 | 180 | 210 | 51 |
| 2 | 240 | 270 | 64 |
| 3 | 290 | 315 | 64 |

MPF 450 - 451 Thread connections

| Type | A | E ⁽¹⁾ | T |
|------|-----------------------|------------------|----------|
| G1 | G 2" | G 3/4" | G 1/8" |
| G4 | 2" NPT | 3/4" NPT | 1/8" NPT |
| G7 | SAE 32-2 1/2" - 12 UN | SAE 12 | 1/8" NPT |

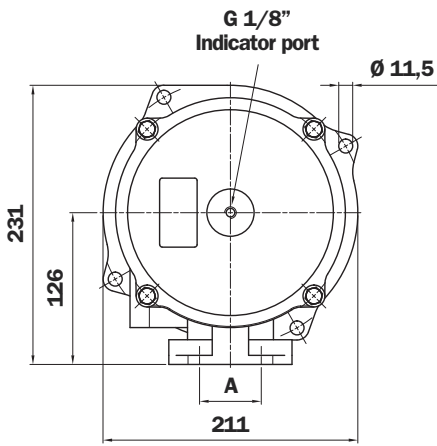
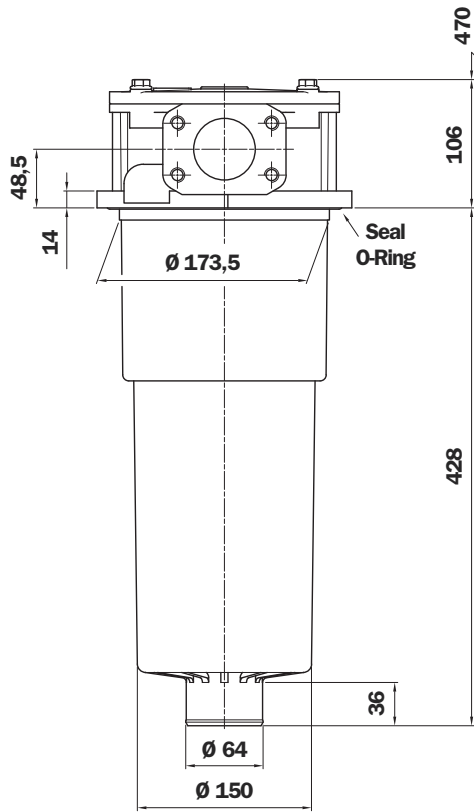
MPF 450 - 451⁽²⁾ Flange connections

| Type | A | E ⁽¹⁾ | T |
|------|---------------------|------------------|----------|
| F1 | 2" SAE 3000 psi/M | G 3/4" | G 1/8" |
| F2 | 2" SAE 3000 psi/UNC | 3/4" NPT | 1/8" NPT |

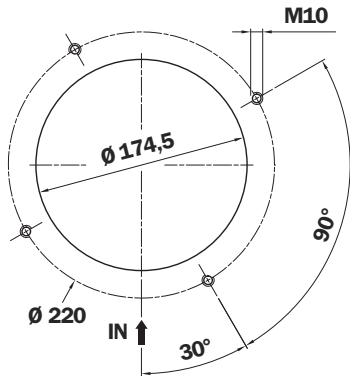
(1) Additional port only for MPF 451

(2) Connections table "DN - SAE flange" see page 39

MPF 750



Holes on the tank



Thread connections

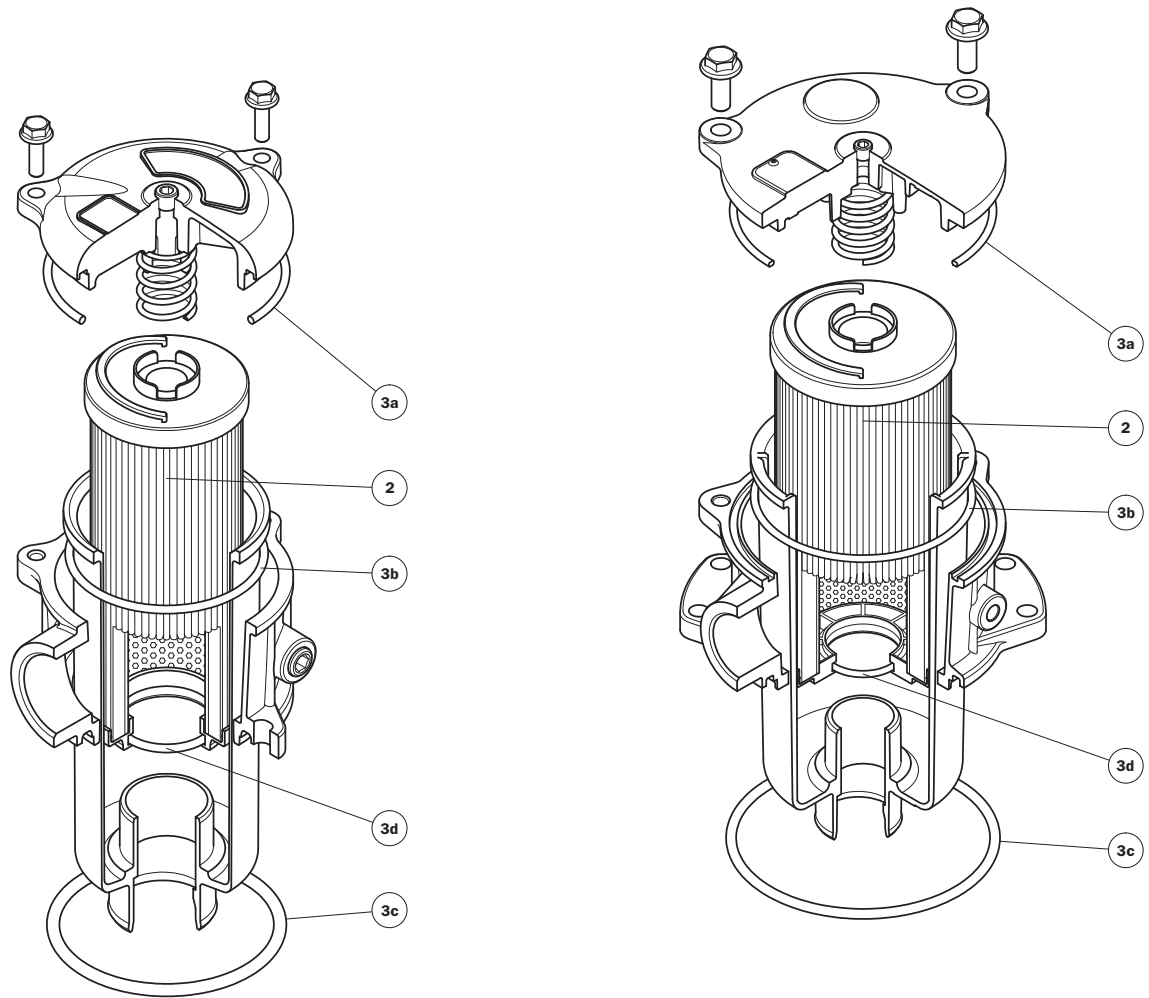
| Type | A |
|------|-------------------------|
| G1 | G 2" |
| G4 | 2" NPT |
| G7 | SAE 32 - 2 1/2" - 12 UN |

Flange connections*

| Type | A |
|------|---------------------|
| F1 | 2" SAE 3000 psi/M |
| F2 | 2" SAE 3000 psi/UNC |

*Connections table "DN - SAE flange" see page 39

MPF 100

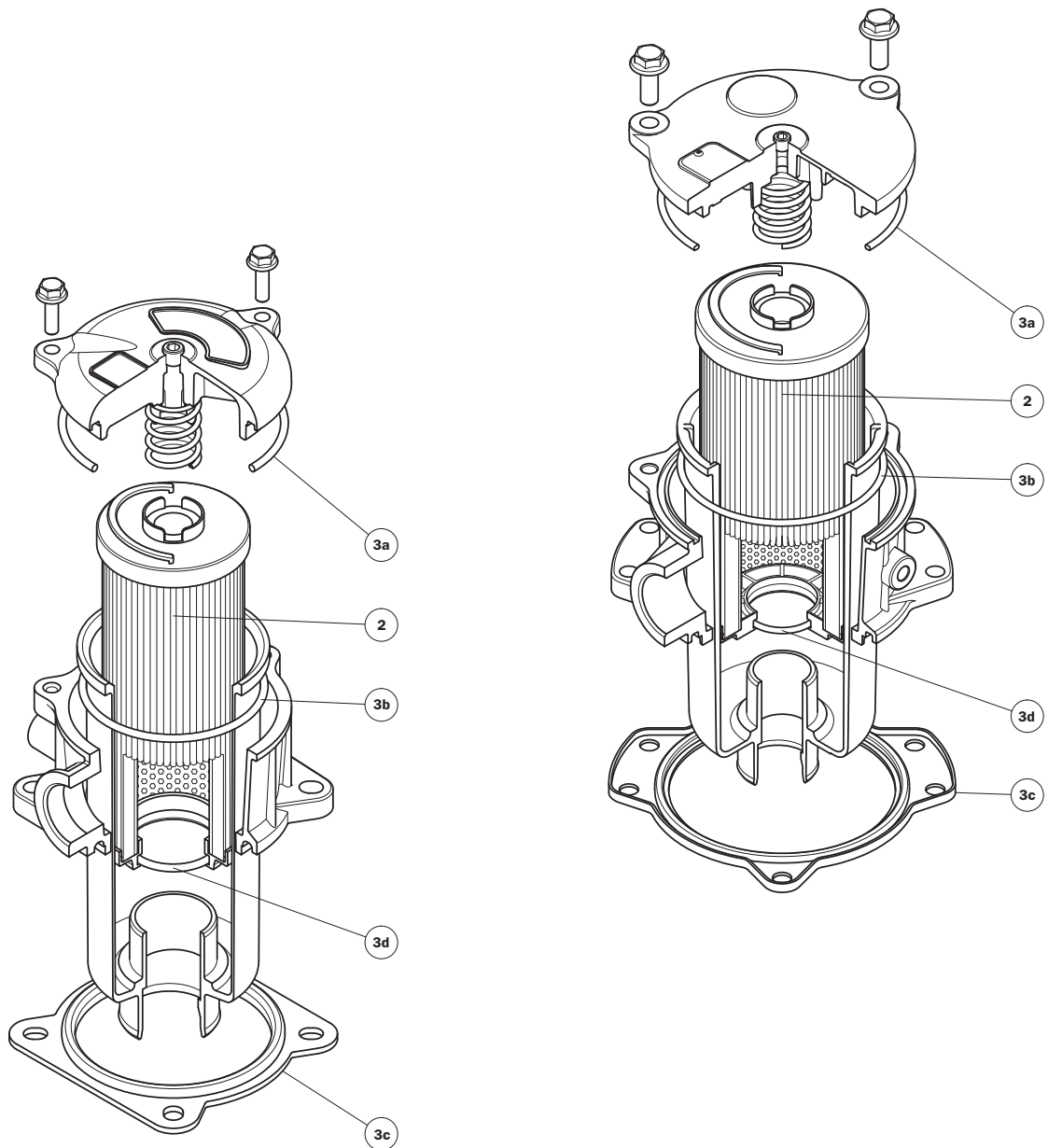


| Item | Description | Q.ty | FILTER Series | | | | | | | | | |
|------|---------------------|------|----------------------------|-----------------|--|-----------------|-----------------------------|-----------------|-----------------------------|-----------------|-----------------------------|-----------------|
| | | | MPF 030 | | MPF 100 - 110 | | MPF 181 - 182 Seal O-Ring | | MPF 184 | | MPF 191 - 192 | |
| 1 | Filter assembly | 1 | See order table | | | | | | | | | |
| 2 | Filter element | 1 | See order table | | | | | | | | | |
| 3 | Seal Kit | 1 | NBR 02050055 | FPM 02050056 | NBR 02050057 | FPM 02050058 | NBR 02050059 | FPM 02050060 | NBR 02050455 | FPM 02050456 | NBR 02050457 | FPM 02050458 |
| 3a | Cover seal | 1 | O-R 174 Ø 71,44 x 3,53 | | O-R 4387 Ø 98,02 x 3,53 | | O-R 4537 Ø 136,10 x 3,53 | | O-R 4512 Ø 129,80 x 3,53 | | O-R 4537 Ø 136,10 x 3,53 | |
| 3b | Bowl seal | 1 | O-R 3225 Ø 56,82 x 2,62 | | O-R 4312 Ø 78,97 x 3,53 | | O-R 4425 Ø 107,50 x 3,53 | | O-R 4425 Ø 107,50 x 3,53 | | O-R 4425 Ø 107,50 x 3,53 | |
| 3c | Head seal | 1 | O-R 3275 Ø 69,52 x 2,62 | | O-R 6362 Ø 91,44 x 5,34 | | O-R 6535 Ø 135,89 x 5,34 | | O-R 210 Ø 133,40 x 5,34 | | O-R 6535 Ø 135,89 x 5,34 | |
| 3d | Filter element seal | 1 | O-R 3093 Ø 23,47 x 2,62 | | Length 1-2 O-R 4112 Ø 28,17 x 3,53 Length 3-4 O-R 4162 Ø 40,86 x 3,53 | | O-R 4162 Ø 40,86 x 3,53 | | O-R 4162 Ø 40,86 x 3,53 | | O-R Metric Ø 50 x 4 | |

| Item | Description | Q.ty | FILTER Series | | | | | | | |
|------|---------------------|------|-----------------------------|-----------------|--|-----------------|--|-----------------|-----------------------------|-----------------|
| | | | MPF 194 | | MPF 400 - 410 | | MPF 450 - 451 | | MPF 750 | |
| 1 | Filter assembly | 1 | See order table | | | | | | | |
| 2 | Filter element | 1 | See order table | | | | | | | |
| 3 | Seal Kit | 1 | NBR 02050459 | FPM 02050460 | NBR 02050061 | FPM 02050062 | NBR 02050461 | FPM 02050462 | NBR 02050106 | FPM 02050107 |
| 3a | Cover seal | 1 | O-R 4512 Ø 129,80 x 3,53 | | O-R 4675 Ø 171 x 3,53 | | O-R 4675 Ø 171 x 3,53 | | O-R 4675 Ø 171 x 3,53 | |
| 3b | Bowl seal | 1 | O-R 4425 Ø 107,50 x 3,53 | | O-R 221 Ø 149,20 x 5,34 | | O-R 221 Ø 149,20 x 5,34 | | O-R 221 Ø 149,20 x 5,34 | |
| 3c | Head seal | 1 | O-R 210 Ø 133,40 x 5,34 | | O-R 233 Ø 181 x 6,99 | | O-R 233 Ø 181 x 6,99 | | O-R 6720 Ø 183,51 x 5,34 | |
| 3d | Filter element seal | 1 | O-R Metric Ø 50 x 4 | | Length 1 O-R 155 Ø 50,80 x 3,53 Length 2-3 O-R 168 Ø 65,09 x 3,53 | | Length 1 O-R 155 Ø 50,80 x 3,53 Length 2-3 O-R 168 Ø 65,09 x 3,53 | | O-R 168 Ø 65,09 x 3,53 | |

MPF 181 - Flat seal

MPF 104



| Item | Description | Q.ty | FILTER Series | | | | | | | |
|------|---------------------|------|----------------------------|-----------------|--|-----------------|-----------------------------|-----------------|-----------------------------|-----------------|
| | | | MPF 020 | | MPF 104 | | MPF 181 - 182 Flat seal | | MPF 191 - 192 Flat seal | |
| 1 | Filter assembly | 1 | See order table | | | | | | | |
| 2 | Filter element | 1 | See order table | | | | | | | |
| 3 | Seal Kit | 1 | NBR 02050438 | FPM 02050439 | NBR 02050350 | FPM 02050408 | NBR 02050659 | FPM 02050660 | NBR 02050661 | FPM 02050662 |
| 3a | Cover seal | 1 | O-R 174 Ø 71,44 x 3,53 | | O-R 4387 Ø 98,02 x 3,53 | | O-R 4537 Ø 136,10 x 3,53 | | O-R 4537 Ø 136,10 x 3,53 | |
| 3b | Bowl seal | 1 | - | | O-R 4312 Ø 78,97 x 3,53 | | O-R 4425 Ø 107,50 x 3,53 | | O-R 4425 Ø 107,50 x 3,53 | |
| 3c | Head seal | 1 | 01026335 | 01026336 | 01026335 | 01026336 | 01026611 | 01026612 | 01026611 | 01026612 |
| 3d | Filter element seal | 1 | O-R 3093 Ø 23,47 x 2,62 | | Length 1-2 O-R 4112 Ø 28,17 x 3,53 Length 3-4 O-R 4162 Ø 40,86 x 3,53 | | O-R 4162 Ø 40,86 x 3,53 | | O-R Metric Ø 50 x 4 | |

Ordering information MPF 020 - 030 - 104

Filter assembly

MPF

| | | | | | | | | |
|-----------------------|--------------------------|--------------------------|--------------------------|--------------------------|--------------------------|--------------------------|--------------------------|--------------------------|
| | 1 | 2 | 3 | 4 | 5 | 6 | 8 | 9 |
| | <input type="checkbox"/> | <input type="checkbox"/> | <input type="checkbox"/> | <input type="checkbox"/> | <input type="checkbox"/> | <input type="checkbox"/> | <input type="checkbox"/> | <input type="checkbox"/> |
| Example 1: MPF | 104 | 2 | A | G3 | A06 | H | E | P01 |
| Example 2: MPF | 030 | 1 | A | G1 | A10 | H | B | P01 |

Filter element

MF

| | | | | | | | |
|----------------------|--------------------------|--------------------------|--------------------------|--------------------------|--------------------------|--------------------------|--------------------------|
| | 1 | 2 | 5 | 6 | 7 | 8 | 9 |
| | <input type="checkbox"/> | <input type="checkbox"/> | <input type="checkbox"/> | <input type="checkbox"/> | <input type="checkbox"/> | <input type="checkbox"/> | <input type="checkbox"/> |
| Example 1: MF | 100 | 2 | A06 | H | B | E | P01 |
| Example 2: MF | 030 | 1 | A10 | H | B | | P01 |

1 - Style

| Filter | Filter element |
|------------------------------|------------------------------|
| <input type="checkbox"/> 020 | <input type="checkbox"/> 030 |
| <input type="checkbox"/> 030 | <input type="checkbox"/> 030 |
| <input type="checkbox"/> 104 | <input type="checkbox"/> 100 |

2 - Filter length

| | | | | | |
|------------------------------|----------------------------|----------------------------|----------------------------|----------------------------|--|
| <input type="checkbox"/> 020 | <input type="checkbox"/> 1 | | | | |
| <input type="checkbox"/> 030 | <input type="checkbox"/> 1 | | | | |
| <input type="checkbox"/> 104 | <input type="checkbox"/> 1 | <input type="checkbox"/> 2 | <input type="checkbox"/> 3 | <input type="checkbox"/> 4 | |

3 - Filter seals & Treatment

| | |
|------------------------------------|--------------------|
| <input type="checkbox"/> A | NBR |
| <input type="checkbox"/> V | FPM |
| <input type="checkbox"/> W* | NBR, head anodized |
| <input type="checkbox"/> Z* | FPM, head anodized |

4 - Connections

MPF 020

| Type | A |
|-----------|------------------|
| P1 | Hose barb - Ø 12 |

MPF 030

| Type | A |
|-----------|-----------------------|
| G1 | G 1/2" |
| G4 | 1/2" NPT |
| G7 | SAE 8 - 3/4" - 16 UNF |

MPF 104

| Type 1 | T | Type 2 | T | A |
|-----------|-----------------------------|-----------|----------|--------------------------|
| G1 | Indicator port not machined | C1 | G 1/8" | G 1/2" |
| G2 | | C2 | G 1/8" | G 3/4" |
| G3 | | C3 | G 1/8" | G 1" |
| G4 | | C4 | 1/8" NPT | 1/2" NPT |
| G5 | | C5 | 1/8" NPT | 3/4" NPT |
| G6 | | C6 | 1/8" NPT | 1" NPT |
| G7 | | C7 | 1/8" NPT | SAE 8 - 3/4" - 16 UNF |
| G8 | | C8 | 1/8" NPT | SAE 12 - 1 1/16" - 12 UN |
| G9 | | C9 | 1/8" NPT | SAE 16 - 1 5/16" - 12 UN |

5 - Filter element

| | | |
|-------------------------------------|----------------------------|--|
| <input type="checkbox"/> A03 | Inorganic microfibre 3 µm | Absolute filtration Inorganic Microfibre βx (c) ≥ 1000 |
| <input type="checkbox"/> A06 | Inorganic microfibre 6 µm | |
| <input type="checkbox"/> A10 | Inorganic microfibre 10 µm | |
| <input type="checkbox"/> A16 | Inorganic microfibre 16 µm | |
| <input type="checkbox"/> A25 | Inorganic microfibre 25 µm | |
| <input type="checkbox"/> M25 | Wire mesh 25 µm | Nominal Filtration |
| <input type="checkbox"/> M60 | Wire mesh 60 µm | |
| <input type="checkbox"/> M90 | Wire mesh 90 µm | |
| <input type="checkbox"/> P10 | Resin - Impregnated paper | Nominal Filtration |
| <input type="checkbox"/> P25 | Resin - Impregnated paper | |

6 - Δp Filter element

| | |
|------------------------------------|---|
| <input type="checkbox"/> N | Δp 10 bar (only for filter element type Pxx and Mxx) |
| <input type="checkbox"/> H | Δp 10 bar (only for filter element type Axx) |
| <input type="checkbox"/> W* | Δp 10 bar (only for filter element type Axx and Mxx) |

7 - Filter element seals

| | |
|-----------------------------------|-----|
| <input type="checkbox"/> B | NBR |
| <input type="checkbox"/> V | FPM |

8 - By-pass valve

| | |
|-----------------------------------|--|
| <input type="checkbox"/> E | 3 bar |
| <input type="checkbox"/> B | 1,75 bar (omit in the element code - only for 1,75 bar) |

9 - Option

| | |
|-------------------------------------|--------------------|
| <input type="checkbox"/> P01 | MP Filtri standard |
|-------------------------------------|--------------------|

* **Compatible with fluid HFA, HFB, HFC**

For Clogging Indicator:
See page 324

MP Filtri - The filter functions as described in this bulletin are valid exclusively for original MP Filtri filter elements and replacement parts. All rights reserved.

The data in this publication are purely guideline. MP Filtri reserves the right to make changes to the models described herein at any time it deems fit in relation to technical or commercial requirements. The colours of the products shown on the cover are purely guideline. Copyright. All rights reserved.

Ordering information MPF 100 - 110

Filter assembly

MPF

| | | | | | | | | | |
|-----------------------|--------------------------|--------------------------|--------------------------|--------------------------|--------------------------|--------------------------|--------------------------|--------------------------|--------------------------|
| | 1 | 2 | 3 | 4 | 5 | 6 | 7 | 9 | 10 |
| | <input type="checkbox"/> | <input type="checkbox"/> | <input type="checkbox"/> | <input type="checkbox"/> | <input type="checkbox"/> | <input type="checkbox"/> | <input type="checkbox"/> | <input type="checkbox"/> | <input type="checkbox"/> |
| Example 1: MPF | 110 | 2 | A | G3 | 1 | A06 | H | E | P01 |
| Example 2: MPF | 100 | 1 | W | G1 | | A10 | W | B | P01 |

Filter element

MF

| | | | | | | | |
|----------------------|--------------------------|--------------------------|--------------------------|--------------------------|--------------------------|--------------------------|--------------------------|
| | 1 | 2 | 6 | 7 | 8 | 9 | 10 |
| | <input type="checkbox"/> | <input type="checkbox"/> | <input type="checkbox"/> | <input type="checkbox"/> | <input type="checkbox"/> | <input type="checkbox"/> | <input type="checkbox"/> |
| Example 1: MF | 100 | 2 | A06 | H | B | E | P01 |
| Example 2: MF | 100 | 1 | A10 | W | B | | P01 |

1 - Style

Filter

| |
|------------|
| 100 |
| 110 |

Filter element

| |
|------------|
| 100 |
| 100 |

2 - Filter length

| |
|------------|
| 100 |
| 110 |

| | | | |
|----------|----------|----------|----------|
| 1 | 2 | 3 | 4 |
| 1 | 2 | 3 | 4 |

3 - Filter seals & Treatment

| | |
|-----------|--------------------|
| A | NBR |
| V | FPM |
| W* | NBR, head anodized |
| Z* | FPM, head anodized |

4 - Connections A

MPF 100

| Type 1 | T | Type 2 | T | A |
|------------|-----------------------------|------------|----------|------------------------|
| G1 | Indicator port not machined | C1 | G 1/8" | G 1/2" |
| G2 | | C2 | G 1/8" | G 3/4" |
| G3 | | C3 | G 1/8" | G 1" |
| G10 | | C10 | G 1/8" | G 1 1/4" |
| G4 | | C4 | 1/8" NPT | 1/2" NPT |
| G5 | | C5 | 1/8" NPT | 3/4" NPT |
| G6 | | C6 | 1/8" NPT | 1" NPT |
| G11 | | C11 | 1/8" NPT | 1 1/4" NPT |
| G7 | | C7 | 1/8" NPT | SAE 8-3/4" - 16 UNF |
| G8 | | C8 | 1/8" NPT | SAE 12-1 1/16" - 12 UN |
| G9 | | C9 | 1/8" NPT | SAE 16-1 5/16" - 12 UN |
| G12 | | C12 | 1/8" NPT | SAE 20-1 5/8" - 12 UN |

MPF 110

| Type | T | A |
|------------|----------|------------------------|
| G1 | G 1/8" | G 1/2" |
| G2 | G 1/8" | G 3/4" |
| G3 | G 1/8" | G 1" |
| G10 | G 1/8" | G 1 1/4" |
| G4 | 1/8" NPT | 1/2" NPT |
| G5 | 1/8" NPT | 3/4" NPT |
| G6 | 1/8" NPT | 1" NPT |
| G11 | 1/8" NPT | 1 1/4" NPT |
| G7 | 1/8" NPT | SAE 8-3/4" - 16 UNF |
| G8 | 1/8" NPT | SAE 12-1 1/16" - 12 UN |
| G9 | 1/8" NPT | SAE 16-1 5/16" - 12 UN |
| G12 | 1/8" NPT | SAE 20-1 5/8" - 12 UN |

5 - Connections B (only for MPF 110)

| Type | Connections A | | |
|----------|--------------------|--------------------|--------------------|
| | G1 - G2 - G3 - G10 | G4 - G5 - G6 - G11 | G7 - G8 - G9 - G12 |
| 1 | G 3/8" | 3/8" NPT | SAE 6-9/16" 18 UNF |
| 2 | G 1/2" | 1/2" NPT | SAE 8-3/4" 16 UNF |

6 - Filter element

| | | | |
|------------|---------------------------|-------|--|
| A03 | Inorganic microfibre | 3 µm | Absolute filtration Inorganic Microfibre βx (c) ≥ 1000 |
| A06 | Inorganic microfibre | 6 µm | |
| A10 | Inorganic microfibre | 10 µm | |
| A16 | Inorganic microfibre | 16 µm | |
| A25 | Inorganic microfibre | 25 µm | Nominal Filtration |
| M25 | Wire mesh | 25 µm | |
| M60 | Wire mesh | 60 µm | |
| M90 | Wire mesh | 90 µm | Nominal Filtration |
| P10 | Resin - Impregnated paper | | |
| P25 | Resin - Impregnated paper | | |

7 - Δp Filter element

| | |
|-----------|---|
| N | Δp 10 bar (only for filter element type Pxx and Mxx) |
| H | Δp 10 bar (only for filter element type Axx) |
| W* | Δp 10 bar (only for filter element type Axx and Mxx) |

8 - Filter element seals

| | |
|----------|-----|
| B | NBR |
| V | FPM |

9 - By-pass valve

| | |
|----------|--|
| E | 3 bar |
| B | 1,75 bar (omit in the element code - only for 1,75 bar) |

10 - Option

| | |
|------------|--------------------|
| P01 | MP Filtri standard |
|------------|--------------------|

* Compatible with fluid HFA, HFB, HFC

For Clogging Indicator:
See page 324

MP Filtri - The filter functions as described in this bulletin are valid exclusively for original MP Filtri filter elements and replacement parts. All rights reserved.

The data in this publication are purely guideline. MP Filtri reserves the right to make changes to the models described herein at any time it deems fit in relation to technical or commercial requirements. The colours of the products shown on the cover are purely guideline. Copyright. All rights reserved.

Ordering information NEW MPF 181-182-191-192

| Filter assembly | 1 | 2 | 3 | 4 | 5 | 6 | 7 | 9 | 10 a |
|-----------------|--------------------------|--------------------------|--------------------------|--------------------------|--------------------------|--------------------------|--------------------------|--------------------------|--------------------------|
| MPF | <input type="checkbox"/> | <input type="checkbox"/> | <input type="checkbox"/> | <input type="checkbox"/> | <input type="checkbox"/> | <input type="checkbox"/> | <input type="checkbox"/> | <input type="checkbox"/> | <input type="checkbox"/> |
| Example 1: MPF | 181 | 1 | A | G2 | | A06 | H | E | P01 |
| Example 2: MPF | 192 | 2 | A | G1 | 2 | P10 | N | B | P01 |

| Filter element | 1 | 2 | 6 | 7 | 8 | 9 | 10b |
|----------------|--------------------------|--------------------------|--------------------------|--------------------------|--------------------------|--------------------------|--------------------------|
| MF | <input type="checkbox"/> | <input type="checkbox"/> | <input type="checkbox"/> | <input type="checkbox"/> | <input type="checkbox"/> | <input type="checkbox"/> | <input type="checkbox"/> |
| Example 1: MF | 180 | 1 | A06 | H | B | E | P01 |
| Example 2: MF | 190 | 2 | P10 | N | B | | P01 |

1 - Style

| Filter | Filter element |
|------------|----------------|
| 181 | 180 |
| 182 | 180 |
| 191 | 190 |
| 192 | 190 |

2 - Filter length

| | | |
|------------|----------|----------|
| 181 | 1 | 2 |
| 182 | 1 | 2 |
| 191 | | 2 |
| 192 | | 2 |

3 - Filter seals & Treatment

| | |
|-----------|---------------------------------------|
| A | NBR |
| V | FPM |
| W* | NBR, head anodized |
| Z* | FPM, head anodized |
| B | NBR, flat seal on head |
| D | FPM, flat seal on head |
| L | NBR, flat seal on head, head anodized |
| M | FPM, flat seal on head, head anodized |

4 - Connections A

MPF 181 - 191

| Type 1 | T | Type 2 | T | A |
|-----------|--------------------------------|-----------|----------|-------------------------|
| G1 | Indicator port not machined | C1 | G 1/8" | G 1 1/4" |
| G4 | | C4 | 1/8" NPT | 1 1/4" NPT |
| G7 | | C7 | 1/8" NPT | SAE 20 - 1 5/8" - 12 UN |
| G2 | | C2 | G 1/8" | G 1 1/2" |
| G5 | | C5 | 1/8" NPT | 1 1/2" NPT |
| G8 | | C8 | 1/8" NPT | SAE 24 - 1 7/8" - 12 UN |

MPF 182 - 192

| Type 1 | T | Type 2 | T | A |
|-----------|------------------------|-----------|----------|-------------------------|
| G1 | Ind. port not mach. | C1 | G 1/8" | G 1 1/4" |
| G4 | | C4 | 1/8" NPT | 1 1/4" NPT |
| G7 | | C7 | 1/8" NPT | SAE 20 - 1 5/8" - 12 UN |

5 - Connections B (only for MPF 182 - 192)

| Type | Connections A | | |
|----------|---------------|----------|--------------------------|
| | G1 - C1 | G4 - C4 | G7 - C7 |
| 1 | G 1/2" | 1/2" NPT | SAE 8 - 3/4" - 18 UNF |
| 2 | G 3/4" | 3/4" NPT | SAE 12 - 1 1/16" - 12 UN |

6 - Filter element

| | | | |
|------------|---------------------------|-------|---|
| A03 | Inorganic microfibre | 3 µm | Absolute filtration Inorganic Microfibre βx (c) ≥ 1000 |
| A06 | Inorganic microfibre | 6 µm | |
| A10 | Inorganic microfibre | 10 µm | |
| A16 | Inorganic microfibre | 16 µm | |
| A25 | Inorganic microfibre | 25 µm | |
| M25 | Wire mesh | 25 µm | Nominal Filtration |
| M60 | Wire mesh | 60 µm | |
| M90 | Wire mesh | 90 µm | |
| P10 | Resin - Impregnated paper | | Nominal Filtration |
| P25 | Resin - Impregnated paper | | |

7 - Δp Filter element

| | |
|-----------|---|
| N | Δp 10 bar (only for filter element type Pxx and Mxx) |
| H | Δp 10 bar (only for filter element type Axx) |
| W* | Δp 10 bar (only for filter element type Axx and Mxx) |

8 - Filter element seals

| | |
|----------|-----|
| B | NBR |
| V | FPM |

9 - By-pass valve

| | |
|----------|--|
| E | 3 bar |
| B | 1,75 bar (omit in the element code - only for 1,75 bar) |

10 - Option

| | |
|--------------------------|--|
| a) Filter | |
| P01 | MP Filtri standard |
| Sxx | Filter assembly with steel extension tube mounted (only for MPF 191-192) |
| b) Filter element | |
| P01 | MP Filtri standard |

* Compatible with fluid HFA, HFB, HFC

For Clogging Indicator:
See page 324

MP Filtri - The filter functions as described in this bulletin are valid exclusively for original MP Filtri filter elements and replacement parts. All rights reserved.

The data in this publication are purely guideline. MP Filtri reserves the right to make changes to the models described herein at any time it deems fit in relation to technical or commercial requirements. The colours of the products shown on the cover are purely guideline. Copyright. All rights reserved.

Ordering information MPF 184 - 194

| | | | | | | | | |
|------------------------|--------------------------|--------------------------|--------------------------|--------------------------|--------------------------|--------------------------|--------------------------|--------------------------|
| Filter assembly | 1 | 2 | 3 | 4 | 5 | 6 | 8 | 9 a |
| MPF | <input type="checkbox"/> | <input type="checkbox"/> | <input type="checkbox"/> | <input type="checkbox"/> | <input type="checkbox"/> | <input type="checkbox"/> | <input type="checkbox"/> | <input type="checkbox"/> |
| Example: MPF | 184 | 2 | A | G2 | A06 | H | E | P01 |

| | | | | | | | |
|-----------------------|--------------------------|--------------------------|--------------------------|--------------------------|--------------------------|--------------------------|--------------------------|
| Filter element | 1 | 2 | 5 | 6 | 7 | 8 | 9 b |
| MF | <input type="checkbox"/> | <input type="checkbox"/> | <input type="checkbox"/> | <input type="checkbox"/> | <input type="checkbox"/> | <input type="checkbox"/> | <input type="checkbox"/> |
| Example: MF | 180 | 2 | A06 | H | B | E | P01 |

1 - Style

| | |
|------------------------------|------------------------------|
| Filter | Filter element |
| <input type="checkbox"/> 184 | <input type="checkbox"/> 180 |
| <input type="checkbox"/> 194 | <input type="checkbox"/> 190 |

2 - Filter length

| | | |
|------------------------------|----------------------------|----------------------------|
| <input type="checkbox"/> 184 | <input type="checkbox"/> 1 | <input type="checkbox"/> 2 |
| <input type="checkbox"/> 194 | <input type="checkbox"/> 2 | |

3 - Filter seals & Treatment

| | |
|------------------------------------|--------------------|
| <input type="checkbox"/> A | NBR |
| <input type="checkbox"/> V | FPM |
| <input type="checkbox"/> W* | NBR, head anodized |
| <input type="checkbox"/> Z* | FPM, head anodized |

4 - Connections

MPF 184 - 194

| Type | A | B |
|------------|-------------------------|-------------------------|
| G1 | G 1 1/4" | - |
| G13 | G 1 1/2" | - |
| G4 | 1 1/4" NPT | - |
| G15 | 1 1/2" NPT | - |
| G7 | SAE 20 - 1 5/8" - 12 UN | - |
| G10 | SAE 24 - 1 7/8" - 12 UN | - |
| G2 | G 1 1/4" | G 1 1/4" |
| G14 | G 1 1/2" | G 1 1/4" |
| G5 | 1 1/4" NPT | 1 1/4" NPT |
| G16 | 1 1/2" NPT | 1 1/4" NPT |
| G8 | SAE 20 - 1 5/8" - 12 UN | SAE 20 - 1 5/8" - 12 UN |
| G11 | SAE 24 - 1 7/8" - 12 UN | SAE 20 - 1 5/8" - 12 UN |
| F1 | 1 1/2" SAE 3000 psi/M | - |
| F2 | 1 1/2" SAE 3000 psi/UNC | - |
| F3 | 1 1/2" SAE 3000 psi/M | 1 1/2" SAE 3000 psi/M |
| F4 | 1 1/2" SAE 3000 psi/UNC | 1 1/2" SAE 3000 psi/UNC |

5 - Filter element

| | | |
|-------------------------------------|----------------------------|---|
| <input type="checkbox"/> A03 | Inorganic microfibre 3 µm | Absolute filtration Inorganic Microfibre βx (c) ≥ 1000 |
| <input type="checkbox"/> A06 | Inorganic microfibre 6 µm | |
| <input type="checkbox"/> A10 | Inorganic microfibre 10 µm | |
| <input type="checkbox"/> A16 | Inorganic microfibre 16 µm | |
| <input type="checkbox"/> A25 | Inorganic microfibre 25 µm | |
| <input type="checkbox"/> M25 | Wire mesh 25 µm | Nominal Filtration |
| <input type="checkbox"/> M60 | Wire mesh 60 µm | |
| <input type="checkbox"/> M90 | Wire mesh 90 µm | |
| <input type="checkbox"/> P10 | Resin - Impregnated paper | Nominal Filtration |
| <input type="checkbox"/> P25 | Resin - Impregnated paper | |

6 - Δp Filter element

| | |
|------------------------------------|---|
| <input type="checkbox"/> N | Δp 10 bar (only for filter element type Pxx and Mxx) |
| <input type="checkbox"/> H | Δp 10 bar (only for filter element type Axx) |
| <input type="checkbox"/> W* | Δp 10 bar (only for filter element type Axx and Mxx) |

7 - Filter element seals

| | |
|-----------------------------------|-----|
| <input type="checkbox"/> B | NBR |
| <input type="checkbox"/> V | FPM |

8 - By-pass valve

| | |
|-----------------------------------|--|
| <input type="checkbox"/> E | 3 bar |
| <input type="checkbox"/> B | 1,75 bar (omit in the element code - only for 1,75 bar) |

9 - Option

| | |
|-------------------------------------|--|
| a) Filter | |
| <input type="checkbox"/> P01 | MP Filtri standard |
| <input type="checkbox"/> Sxx | Filter assembly with steel extension tube mounted (only for MPF 194) |
| b) Filter element | |
| <input type="checkbox"/> P01 | MP Filtri standard |

* Compatible with fluid HFA, HFB, HFC

For Clogging Indicator:
See page 324

MP Filtri - The filter functions as described in this bulletin are valid exclusively for original MP Filtri filter elements and replacement parts. All rights reserved.

The data in this publication are purely guideline. MP Filtri reserves the right to make changes to the models described herein at any time it deems fit in relation to technical or commercial requirements. The colours of the products shown on the cover are purely guideline. Copyright. All rights reserved.

Ordering information MPF 400-410-450-451-750

Filter assembly

MPF

| | | | | | | | | | |
|-----------------------|--------------------------|--------------------------|--------------------------|--------------------------|--------------------------|--------------------------|--------------------------|--------------------------|--------------------------|
| | 1 | 2 | 3 | 4a | 4b | 5 | 6 | 8 | 9 a |
| | <input type="checkbox"/> | <input type="checkbox"/> | <input type="checkbox"/> | <input type="checkbox"/> | <input type="checkbox"/> | <input type="checkbox"/> | <input type="checkbox"/> | <input type="checkbox"/> | <input type="checkbox"/> |
| Example 1: MPF | 410 | 2 | A | G2 | 1 | A06 | H | E | P01 |
| Example 2: MPF | 750 | 1 | A | G4 | - | P10 | N | B | P01 |

Filter element

MF

| | | | | | | | |
|----------------------|--------------------------|--------------------------|--------------------------|--------------------------|--------------------------|--------------------------|--------------------------|
| | 1 | 2 | 5 | 6 | 7 | 8 | 9b |
| | <input type="checkbox"/> | <input type="checkbox"/> | <input type="checkbox"/> | <input type="checkbox"/> | <input type="checkbox"/> | <input type="checkbox"/> | <input type="checkbox"/> |
| Example 1: MF | 400 | 2 | A06 | H | B | E | P01 |
| Example 2: MF | 750 | 1 | P10 | N | B | - | P01 |

1 - Style

| Filter | Filter element |
|-----------------------|----------------|
| 400 410 | 400 |
| 450 451 | 400 |
| 750 | 750 |

2 - Filter length

| | | | |
|-----------------------|----------|----------|----------|
| 400 410 | 1 | 2 | 3 |
| 450 451 | 1 | 2 | 3 |
| 750 | 1 | | |

3 - Filter seals & Treatment

| | |
|-----------|--------------------|
| A | NBR |
| V | FPM |
| W* | NBR, head anodized |
| Z* | FPM, head anodized |

4a - Connections A

MPF 400

| Type | A | Type | A |
|-----------|------------|-----------|-------------------------|
| G1 | G 1 1/4" | G6 | 2" NPT |
| G2 | G 1 1/2" | G7 | SAE 20 - 1 5/8" - 12 UN |
| G3 | G 2" | G8 | SAE 24 - 1 7/8" - 12 UN |
| G4 | 1 1/4" NPT | G9 | SAE 32 - 2 1/2" - 12 UN |
| G5 | 1 1/2" NPT | - | - |

MPF 410

| Type | A |
|-----------|-------------------------|
| G1 | G 1 1/4" |
| G4 | 1 1/4" NPT |
| G7 | SAE 20 - 1 5/8" - 12 UN |

MPF 450 - 451 - 750

| Type | A | E(1) |
|-----------|-------------------------|----------|
| G1 | G 2" | G 3/4" |
| G4 | 2" NPT | 3/4" NPT |
| G7 | SAE 32 - 2 1/2" - 12 UN | SAE 12 |
| F1 | 2" SAE 3000 psi/M | G 3/4" |
| F2 | 2" SAE 3000 psi/UNC | 3/4" NPT |

(1) Additional port only for MPF 451

4b - Connections B (only for MPF 410)

| Type | Connections A | | |
|----------|---------------|--------|--------------------------|
| | G1 | G4 | G7 |
| 1 | 1" | 1" NPT | SAE 16 - 1 5/16" - 12 UN |

5 - Filter element

| | | | |
|------------|---------------------------|-------|---|
| A03 | Inorganic microfibre | 3 µm | Absolute filtration Inorganic Microfibre βx (c) ≥ 1000 |
| A06 | Inorganic microfibre | 6 µm | |
| A10 | Inorganic microfibre | 10 µm | |
| A16 | Inorganic microfibre | 16 µm | |
| A25 | Inorganic microfibre | 25 µm | |
| M25 | Wire mesh | 25 µm | Nominal Filtration |
| M60 | Wire mesh | 60 µm | |
| M90 | Wire mesh | 90 µm | |
| P10 | Resin - Impregnated paper | | Nominal Filtration |
| P25 | Resin - Impregnated paper | | |

6 - Δp Filter element

| | |
|-----------|---|
| N | Δp 10 bar (only for filter element type Pxx and Mxx) |
| H | Δp 10 bar (only for filter element type Axx) |
| W* | Δp 10 bar (only for filter element type Axx and Mxx) |

7 - Filter element seals

| | |
|----------|-----|
| B | NBR |
| V | FPM |

8 - By-pass valve

| | |
|----------|--|
| E | 3 bar |
| B | 1,75 bar (omit in the element code - only for 1,75 bar) |

9 - Option

a) Filter

| | |
|------------|--|
| P01 | MP Filtri standard |
| Sxx | Filter assembly with steel extension tube mounted (only for MPF 400-410-450-451-750) |

b) Filter element

| | |
|------------|--------------------|
| P01 | MP Filtri standard |
|------------|--------------------|

* Compatible with fluid HFA, HFB, HFC

For Clogging Indicator:
See page 324

MP Filtri - The filter functions as described in this bulletin are valid exclusively for original MP Filtri filter elements and replacement parts. All rights reserved.

The data in this publication are purely guideline. MP Filtri reserves the right to make changes to the models described herein at any time it deems fit in relation to technical or commercial requirements. The colours of the products shown on the cover are purely guideline. Copyright. All rights reserved.