



# GEMAC

HYDRAULICS LTD

# ADAPTOR CATALOGUE & PRICE LIST 2014

Unit 1 Cosy Corner Horton Road Stanwell Moor Middlesex TW19 6BD UK

T +44 (0)1753 686464 F +44 (0)1753 685464

E [sales@gemac-hydraulics.co.uk](mailto:sales@gemac-hydraulics.co.uk) W [www.gemac-hydraulics.co.uk](http://www.gemac-hydraulics.co.uk)

## CONDITIONS OF SALE

Minimum order value: £25.00.

All prices quoted are Ex works.

Retention of title: All goods delivered will remain the property of Gemac Hydraulics Ltd. until paid for.

Payment: All goods are due for payment 30 days after receipt of goods by the customer unless by special arrangement in writing.

**Claims for damage or shortages must be reported within 7 days from receipt of goods.**

**Orders placed cannot be cancelled without prior consent of the management.**

## QUOTATIONS

The company will not be bound by any quotations given but shall have the power to vary or withdraw the quotation at it's discretion.

## PRICES

The prices are stated in the company price list but the company reserves the right, in the case of a misprint or miscalculation to alter prices without prior notice.

## LETTER OF CONFORMITY

### ALL ADAPTORS MANUFACTURED FROM STEEL BSEN10277: 3 1999 230 MO7Pb

B.S.P adaptors DIN SPEC	to	DIN 3852 form A: 1991
B.S.P parallel threads	to	BSENISO228 – 1: 2003
B.S.P.T threads	to	BSEN 10226 – 1: 2004
JIC & SAE threads	to	B.S 1580:2007
METRIC threads	to	B.S 3643 Pt 2: 2007
NPTF threads	to	ANSI B1 20.3: 1991
Electro plating	to	BSEN 12329: 2000 FE/ZN8/C
JIC adaptors	to	SAE J514 JUN 95 or ISO 8434-2: 1994

The purchaser of these adaptors must ensure that they are satisfactory for use in the application for which they are intended.

No responsibility can be accepted by the manufacturers if any adaptors are incorrectly or inadequately fitted, ie. torque values, pressure requirements, non-matching threads etc.

These goods may not be acceptable to M. O. D requirements.

### ADAPTOR PRESSURE RATINGS APPLICABLE TO BORE SIZE ONLY

Nominal Bore Dia.		Design Working Pressure		Proof Pressure		Over Pressure	
mm	ins	BAR	psi	BAR	psi	BAR	psi
5	1/8	350	5145	525	7718	1400	20580
6.3	1/4	450	6500	675	9750	1520	22000
10	3/8	380	5500	570	8250	1310	19000
12.5	1/2	310	4500	465	6750	1100	16000
14.25	9/16	289	4250	434	6375	964	14170
16	5/8	280	4000	420	6000	850	12350
19	3/4	240	3500	360	5250	750	11000
25	1	210	3000	315	4500	675	9750
31.5	1-1/4	170	2500	255	3750	530	7700
37.5	1-1/2	136	2000	204	3000	404	5940
50	2	136	2000	204	3000	404	5940
62.5	2-1/2	84	1240	126	1860	245	3596
75	3	76	1120	114	1680	216	3170

### TUBE PRESSURE RATINGS APPLICABLE TO SWEPTS ONLY

Outer Diameter of Tube		Design Working Pressure		Proof Pressure		Over Pressure	
mm	ins	BAR	psi	BAR	psi	BAR	psi
4.7	3/16	303.4	4400	455	6600	910	13200
6.3	1/4	391	5570	586	8500	1173	17000
10	3/8	303.4	4400	455	6600	910	13200
12.5	1/2	261	3790	392	5685	784	11370
16	5/8	209	3030	313	4545	626	9090
19	3/4	216.75	3140	324	4710	649	9420
25	1	211.65	3070	317	4600	634	9200
31.5	1-1/4	188.7	2735	282	4100	565	8200
37.5	1-1/2	173	2515	260	3770	520	7545
50	2	130	1885	195	2830	390	5655

# Index

<i>PREFIX</i>	<i>DESCRIPTION</i>	<i>PAGE</i>
<b>MALE X MALE</b>		
1B	BSPP MALE X BSPP MALE TO DIN 3852 FORM A	1-2
1BE	BSPP MALE X BSPP MALE WITH ELASTOMER SEAL	3
1BR	BSPP MALE X BSPP MALE WITH RESTRICTOR ON APPLICATION	4
1BS	BSPP MALE X BSPP MALE BLANK	5
1BT	BSPP MALE X BSPT MALE TO DIN 3852 FORM A	6-7
1BJ	BSPP MALE X JIC MALE TO DIN 3852 FORM A	8-9
1BN	BSPP MALE X NPTF MALE TO DIN 3852 FORM A	10-11
1BO	BSPP MALE X SAE O RING BOSS MALE WITH O RING	12
1T	BSPT MALE X BSPT MALE	13
1J	JIC MALE X JIC MALE	14
1JO	JIC MALE X SAE O RING BOSS MALE WITH O RING	15
1MB	METRIC MALE 1.5 PITCH X BSPP MALE TO DIN 3852 FORM A	16-17
1M	METRIC MALE X METRIC MALE 1.5 PITCH	18
1N	NPTF MALE X NPTF MALE	19
1NJ	NPTF MALE X JIC MALE	20
1OR	ORFS MALE X ORFS MALE	21
1ORB	ORFS MALE X BSPP MALE TO DIN 3852 FORM A	22
1JSB	JIS MALE X JIS MALE (BSP THREADS)	23
1JSM	JIS MALE X JIS MALE (METRIC THREADS)	24□
<b>MALE X FEMALE</b>		
2B	BSPP MALE X BSP SWIVEL FEMALE TO DIN 3852 FORM A	25-26
2BJ	BSPP MALE X JIC SWIVEL FEMALE TO DIN 3852 FORM A	27
2BOR	BSPP MALE X ORFS FEMALE TO DIN 3852 FORM A	28
2TB	BSPT MALE X BSP SWIVEL FEMALE	29
2J	JIC MALE X JIC SWIVEL FEMALE	30-31
2JB	JIC MALE X BSP SWIVEL FEMALE	32
2MB	METRIC MALE 1.5 MM PITCH X BSP SWIVEL FEMALE	33
2MJ	METRIC MALE 1.5MM PITCH X JIC SWIVEL FEMALE	34
2NB	NPTF MALE X BSP SWIVEL FEMALE	35
2OR	ORFS MALE X ORFS SWIVEL FEMALE	36
<b>FEMALE X FEMALE</b>		
3B	BSP SWIVEL FEMALE X BSP SWIVEL FEMALE	37
3BJ	BSP SWIVEL FEMALE X JIC SWIVEL FEMALE	38
3J	JIC SWIVEL FEMALE X JIC SWIVEL FEMALE	39

**BLANKING PLUGS**

4B	BSPP BLANKING PLUG TO DIN 3852 FORM A	40
4BH	BSPP BLANKING PLUG WITH HEXAGONAL SOCKET	41
4BHE	BSPP BLANKING PLUG WITH HEXAGONAL SOCKET AND ELASTOMER SEAL	42
4T	BSPT BLANKING PLUG	43
4J	JIC BLANKING PLUG	44
4M	METRIC BLANKING PLUG	45
4MH	METRIC BLANKING PLUG WITH HEXAGONAL SOCKET	46
4MHE	METRIC BLANKING PLUG WITH HEXAGONAL SOCKET AND ELASTOMER SEAL	47
4N	NPTF BLANKING PLUG	48
4O	SAE O RING BLANKING PLUG WITH O RING	49
4OR	ORFS MALE BLANKING PLUG	50

**MALE X FIXED FEMALE BUSH**

5B	BSPP MALE X BSP FIXED FEMALE BUSH TO DIN 3852 FORM A	51-52
5BG	BSPP MALE X BSP FIXED GAUGE FEMALE TO DIN 3852 FORM A	53
5BT	BSPP MALE X BSPT FIXED FEMALE BUSH TO DIN 3852 FORM A	54
5TB	BSPT MALE X BSP FIXED FEMALE BUSH	55
5BN	BSP MALE X NPTF FIXED FEMALE BUSH TO DIN 3852 FORM A	56
5MB	METRIC MALE X BSP FIXED FEMALE BUSH TO DIN 3852 FORM A	57
5N	NPTF MALE X NPTF FIXED FEMALE BUSH	58-59
5NB	NPTF MALE X BSP FIXED FEMALE BUSH	60

**MALE BULKHEAD C/W LOCKNUT**

6B	BSPP MALE X BSPP MALE BULKHEAD C/W LOCKNUT TO DIN 3852 FORM A	61
6BX	BSPP MALE X BSPP MALE EXTENDED BULKHEAD C/W LOCKNUT TO DIN 3852 FORM A	62
LNB	BSP LOCKNUT	63
6J	JIC MALE X JIC MALE BULKHEAD C/W LOCKNUT	64
LNJ	JIC LOCKNUT	65
6OR	ORFS MALE BULKHEAD C/W LOCKNUT	66

**FIXED FEMALE X FIXED FEMALE**

7B	BSP FIXED FEMALE X BSP FIXED FEMALE	67
7M	METRIC FIXED FEMALE X METRIC FIXED FEMALE	68
7N	NPTF FIXED FEMALE X NPTF FIXED FEMALE	69

**BLANKING CAPS**

CB	BSP SWIVEL BLANKING CAP	70
CBS	BSP SOLID BLANKING CAP	71
CJ	JIC SWIVEL BLANKING CAP	72
CNS	NPTF SOLID BLANKING CAP	73
CMS	METRIC SOLID BLANKING CAP	74

**90° AND 45°**

2B90	BSPP MALE X BSP SWIVEL FEMALE 90° SWEPT	75
2B45	BSPP MALE X BSP SWIVEL FEMALE 45° SWEPT	76
3B90	BSP SWIVEL FEMALE X BSP SWIVEL FEMALE 90° SWEPT	77
3B45	BSP SWIVEL FEMALE X BSP SWIVEL FEMALE 45° SWEPT	78
7B90	BSP FIXED FEMALE X BSP FIXED FEMALE 90° COMPACT	79
X1NJ	NPTF MALE X JIC MALE 90° COMPACT	80
X1NJ45	NPTF MALE X JIC MALE 45° COMPACT	81
X10	BSPP MALE X BSPP MALE 90° COMPACT	82
X10F	BSPP MALE X BSPP MALE 90° COMPACT FABRICATED	83
X10J	JIC MALE X JIC MALE 90° COMPACT	84
X10OR	ORFS MALE X ORFS MALE 90° COMPACT	85
X11	BSPP MALE X BSP SWIVEL FEMALE 90° COMPACT	86
X11F	BSPP MALE X BSP FEMALE 90° COMPACT FABRICATED	87
X11J	JIC MALE X JIC SWIVEL FEMALE 90° COMPACT	88
X1145	BSPP MALE X BSP SWIVEL FEMALE 45° COMPACT	89
X14	BSPP MALE X BSPT MALE 90° COMPACT	90
X20	BSP SWIVEL FEMALE X BSP SWIVEL FEMALE 90° COMPACT	91
X20F	BSP FEMALE X BSP FEMALE 90° COMPACT FABRICATED	92

**ADJUSTABLE 90° AND 45°**

X10A	BSPP MALE X BSPP MALE ADJUSTABLE 90° COMPACT	93
X11A	BSPP MALE X BSPP MALE ADJUSTABLE 45° COMPACT	94
XJB10A	JIC MALE X BSPP MALE ADJUSTABLE 90° COMPACT	95
XJB11A	JIC MALE X BSPP MALE ADJUSTABLE 45° COMPACT	96
XJU10A	JIC MALE X UNF ADJUSTABLE MALE 90° COMPACT	97
XJU11A	JIC MALE X UNF ADJUSTABLE MALE 45° COMPACT	98

<i>PREFIX</i>	<i>DESCRIPTION</i>	<i>PAGE</i>
<b>TEE'S</b>		
Z10	BSPP MALE TEE	99
Z10F	BSPP MALE TEE FOR BONDED SEAL FABRICATED	100
Z10T	BSPP MALE X BSPP MALE X BSPT MALE TEE FABRICATED	101
Z10J	JIC MALE TEE	102
Z10OR	ORFS MALE TEE	103
Z11	BSPP MALE X BSPP MALE X BSP SWIVEL FEMALE BRANCH TEE	104
Z11F	BSPP MALE X BSPP MALE X BSP SWIVEL FEMALE BRANCH TEE FABRICATED	105
Z11J	JIC MALE X JIC MALE X JIC SWIVEL FEMALE BRANCH TEE	106
Z11OR	ORFS MALE X ORFS MALE X ORFS SWIVEL BRANCH FEMALE TEE	107
Z12	BSP SWIVEL FEMALE TEE	108
Z12F	BSP SWIVEL FEMALE TEE FABRICATED	109
Z12BF	BSP FIXED FEMALE TEE	110
Z12J	JIC SWIVEL FEMALE TEE	111
Z12OR	ORFS MALE X ORFS FEMALE X ORFS MALE BRANCH TEE	112
Z18	BSPP MALE X BSP SWIVEL FEMALE X BSP SWIVEL FEMALE BRANCH TEE	113
Z18F	BSPP MALE X BSP SWIVEL FEMALE X BSP SWIVEL FEMALE BRANCH TEE FABRICATED	114
Z21	BSPP MALE X BSP SWIVEL FEMALE X BSPP MALE BRANCH TEE	115
Z21F	BSPP MALE X BSP SWIVEL FEMALE X BSPP MALE BRANCH TEE FABRICATED	116
Z21J	JIC MALE X JIC SWIVEL FEMALE X JIC MALE BRANCH TEE	117

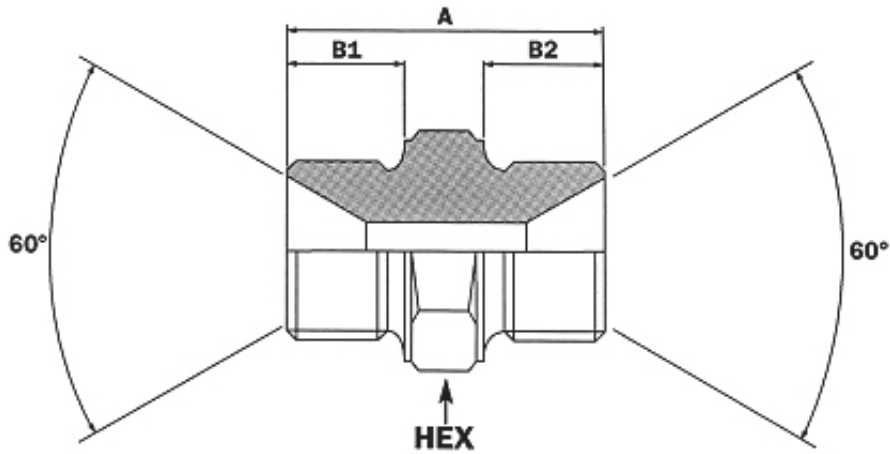
## **CROSS PIECES**

CR10	BSPP MALE CROSS FOR BONDED SEAL FABRICATED	118
CR11	BSPP MALE X BSPP MALE X BSPP MALE X BSP SWIVEL FEMALE CROSS FABRICATED	119
CR12	BSP SWIVEL FEMALE CROSS FABRICATED	120

## **TEST POINT TEE'S**

Z24F	BSP MALE X BSP MALE X BSP TEST POINT FEMALE BRANCH TEE	121
Z25F	BSP MALE X BSP FEMALE X BSP TEST POINT FEMALE BRANCH TEE	122

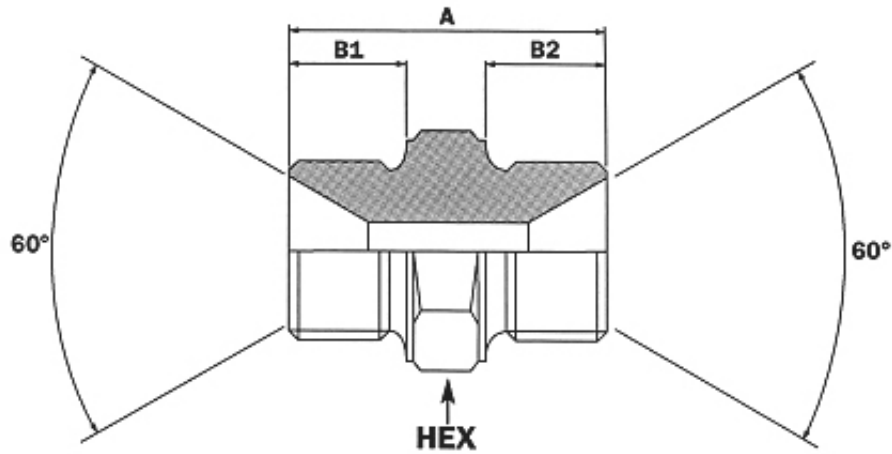
## BSP MALE X BSP MALE TO DIN 3852 FORM A



PART NUMBER	DESCRIPTION	HEX	A	B1	B2	C1	C2	C3	£ PRICE
1B/2	1/8 BSP X 1/8 BSP	14.00	27.94	10.16	10.16				0.65
1B/2-4	1/8 BSP X 1/4 BSP	19.00	30.22	10.16	11.00				0.70
1B/2-6	1/8 BSP X 3/8 BSP	22.00	32.72	10.16	12.70				1.05
1B/2-8	1/8 BSP X 1/2 BSP	27.00	38.60	10.16	15.24				1.60
1B/4	1/4 BSP X 1/4 BSP	19.00	31.14	11.00	11.00				0.52
1B/4-6	1/4 BSP X 3/8 BSP	22.00	33.52	11.00	12.70				0.68
1B/4-8	1/4 BSP X 1/2 BSP	27.00	39.37	11.00	15.24				1.00
1B/4-10	1/4 BSP X 5/8 BSP	30.00	40.13	11.00	16.00				1.95
1B/4-12	1/4 BSP X 3/4 BSP	32.00	42.50	11.00	17.00				2.65
1B/4-16	1/4 BSP X 1 BSP	41.00	45.72	11.00	19.05				3.80
1B/6	3/8 BSP X 3/8 BSP	22.00	35.30	12.70	12.70				0.68
1B/6-8	3/8 BSP X 1/2 BSP	27.00	41.14	12.70	15.24				0.96
1B/6-10	3/8 BSP X 5/8 BSP	30.00	41.91	12.70	16.00				1.65
1B/6-12	3/8 BSP X 3/4 BSP	32.00	44.80	12.70	17.00				1.90
1B/6-16	3/8 BSP X 1 BSP	41.00	47.49	12.70	19.05				4.20
1B/6-20	3/8 BSP X 1 1/4 BSP	50.00	52.32	12.70	20.32				10.50
1B/8	1/2 BSP X 1/2 BSP	27.00	43.80	15.00	15.00				0.96
1B/8-10	1/2 BSP X 5/8 BSP	30.00	46.00	15.24	16.00				1.30
1B/8-12	1/2 BSP X 3/4 BSP	32.00	47.99	15.24	17.00				1.55
1B/8-16	1/2 BSP X 1 BSP	41.00	50.30	15.24	19.05				3.20
1B/8-20	1/2 BSP X 1 1/4 BSP	50.00	54.86	15.24	20.32				9.50
1B/8-24	1/2 BSP X 1 1/2 BSP	55.00	57.40	15.24	22.86				14.10
1B/10	5/8 BSP X 5/8 BSP	30.00	45.21	16.00	16.00				1.50
1B/10-12	5/8 BSP X 3/4 BSP	32.00	48.57	16.00	17.00				2.20
1B/10-16	5/8 BSP X 1 BSP	41.00	50.80	16.00	19.05				3.50
1B/10-20	5/8 BSP X 1 1/4 BSP	50.00	55.62	16.00	20.32				11.50
1B/10-24	5/8 BSP X 1 1/2 BSP	55.00	58.16	16.00	22.86				14.10
1B/12	3/4 BSP X 3/4 BSP	32.00	49.55	17.00	17.00				1.55
1B/12-16	3/4 BSP 1 BSP	41.00	51.80	17.00	19.05				2.98
1B/12-20	3/4 BSP 1 1/4 BSP	50.00	56.62	17.00	20.32				7.20
1B/12-24	3/4 BSP 1 1/2 BSP	55.00	59.16	17.00	22.86				10.50
1B/12-32	3/4 BSP 2 BSP	70.00	65.08	17.00	26.00				19.50
1B/16	1 BSP 1 BSP	41.00	53.84	19.05	19.05				2.98
1B/16-20	1 BSP 1 1/4 BSP	50.00	58.67	19.05	20.32				5.46
1B/16-24	1 BSP 1 1/2 BSP	55.00	61.21	19.05	22.86				6.82
1B/16-32	1 BSP 2 BSP	70.00	67.13	19.05	26.00				17.50
1B/20	1 1/4 BSP 1 1/4 BSP	50.00	59.94	20.32	20.32				5.30

Further information on other sizes is available on request and all dimensions are in millimetres

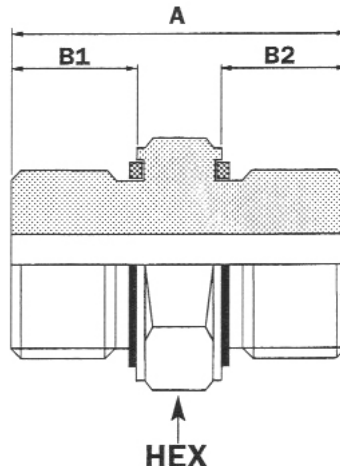
## BSP MALE X BSP MALE TO DIN 3852 FORM A – continued



PART NUMBER	DESCRIPTION	HEX	A	B1	B2	C1	C2	C3	£ PRICE
1B/20-24	1 1/4 BSP X 1 1/2 BSP	55.00	62.48	20.32	22.86				6.66
1B/20-32	1 1/4 BSP X 2 BSP	70.00	68.40	20.32	26.00				14.50
1B/20-40	1 1/4 BSP X 2 1/2 BSP	82.55	72.00	20.32	28.00				44.00
1B/24	1 1/2 BSP X 1 1/2 BSP	55.00	60.02	22.86	22.86				6.32
1B/24-32	1 1/2 BSP X 2 BSP	70.00	70.94	22.86	26.00				12.62
1B/24-40	1 1/2 BSP X 2 1/2 BSP	82.55	74.00	22.86	28.00				44.00
1B/32	2 BSP X 2 BSP	70.00	74.06	26.00	26.00				12.28
1B/32-40	2 BSP X 2 1/2 BSP	82.55	76.00	26.00	28.00				44.00
1B/32-48	2 BSP X 3 BSP	100.00	76.00	26.00	28.00				85.00
1B/40	2 1/2 BSP X 2 1/2 BSP	82.55	78.00	28.00	28.00				44.00
1B/40-48	2 1/2 BSP X 3 BSP	100.00	78.00	28.00	28.00				85.00
1B/48	3 BSP X 3 BSP	100.00	78.00	28.00	28.00				85.00



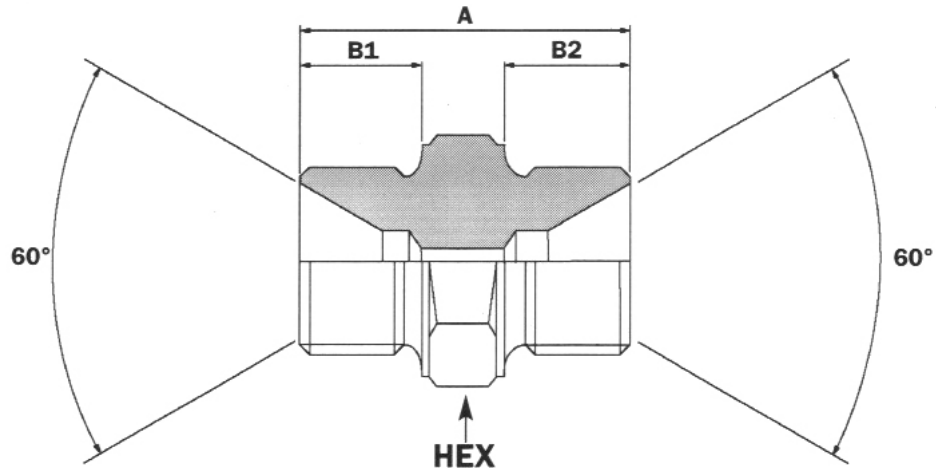
# BSP MALE X BSP MALE C/W ELASTOMER SEAL



PART NUMBER	DESCRIPTION	HEX	A	B1	B2	C1	C2	C3	£ PRICE
1BE/4-4	1/4 X 1/4 BSP	19.00	31.14	11.00	11.00				2.18
1BE/6-6	3/8 X 3/8 BSP	22.00	35.30	12.70	12.70				2.18
1BE/8-8	1/2 X 1/2 BSP	27.00	43.20	15.00	15.00				2.68
1BE/12-12	3/4 X 3/4 BSP	32.00	49.55	17.00	17.00				4.87

Further information on other sizes is available on request and all dimensions are in millimetres

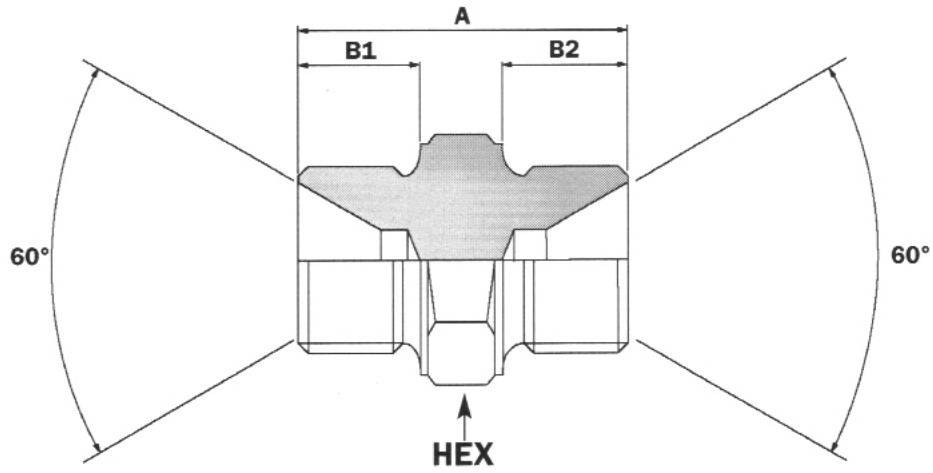
# BSP MALE X BSP MALE WITH RESTRICTOR ON APPLICATION



PART NUMBER	DESCRIPTION	HEX	A	B1	B2	C1	C2	C3	£ PRICE
1BR/2-2	1/8 BSP X 1/8 BSP	14.00	27.94	10.16	10.16				1.95
1BR/4-4	1/4 BSP X 1/4 BSP	19.00	31.14	11.00	11.00				1.95
1BR/4-6	1/4 BSP X 3/8 BSP	22.00	33.52	11.00	12.70				2.20
1BR/6-6	3/8 BSP X 3/8 BSP	22.00	35.30	12.70	12.70				2.20
1BR/6-8	3/8 BSP X 1/2 BSP	27.00	41.14	12.70	15.24				2.30
1BR/8-8	1/2 BSP X 1/2 BSP	27.00	43.20	15.00	15.00				2.30
1BR/8-12	1/2 BSP X 3/4 BSP	32.00	47.99	15.24	17.00				3.20
1BR/12-12	3/4 BSP X 3/4 BSP	32.00	49.55	17.00	17.00				3.30

Further information on other sizes is available on request and all dimensions are in millimetres

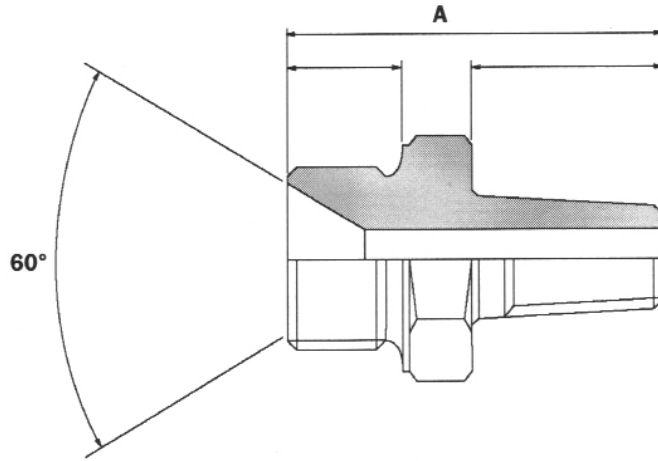
## BSP MALE X BSP MALE BLANK



PART NUMBER	DESCRIPTION	HEX	A	B1	B2	C1	C2	C3	£ PRICE
1BS/2	1/8 BSP X 1/8 BSP	14.00	27.94	10.16	10.16				2.28
1BS/4	1/4 BSP X 1/4 BSP	19.00	31.14	11.00	11.00				1.50
1BS/4-6	1/4 BSP X 3/8 BSP	22.00	33.52	11.00	12.70				1.50
1BS/6	3/8 BSP X 3/8 BSP	22.00	35.30	12.70	12.70				1.50
1BS/6-8	3/8 BSP X 1/2 BSP	27.00	41.14	12.70	15.24				1.62
1BS/8	1/2 BSP X 1/2 BSP	27.00	43.20	15.00	15.00				1.62
1BS/8-12	1/2 BSP X 3/4 BSP	32.00	48.55	16.00	17.00				2.90
1BS/12	3/4 BSP X 3/4 BSP	32.00	49.55	17.00	17.00				2.90

Further information on other sizes is available on request and all dimensions are in millimetres

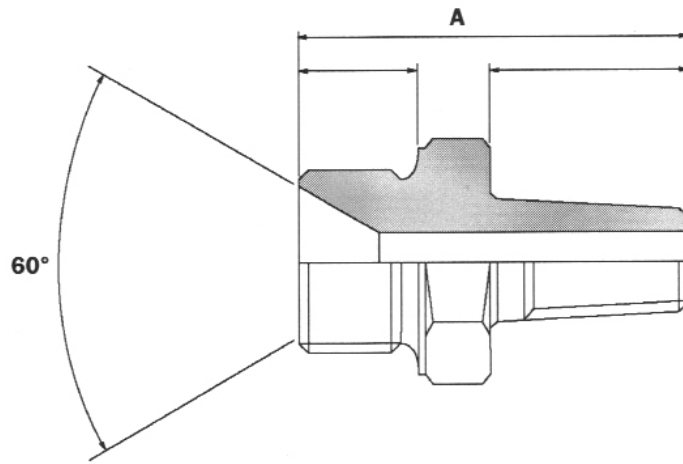
# BSP MALE X BSPT MALE TO DIN 3852 FORM A



PART NUMBER	DESCRIPTION	HEX	A	B1	B2	C1	C2	C3	£ PRICE
1BT/2	1/8 BSP X 1/8 BSPT	14.00	26.92	10.16	11.18				0.70
1BT/2-4	1/8 BSP X 1/4 BSPT	14.00	33.78	10.16	21.64				0.80
1BT/2-6	1/8 BSP X 3/8 BSPT	19.00	34.79	10.16	17.27				1.20
1BT/2-8	1/8 BSP X 1/2 BSPT	22.00	44.45	10.16	21.59				3.60
1BT/4-2	1/4 BSP X 1/8 BSPT	19.00	29.21	10.16	11.18				0.90
1BT/4	1/4 BSP X 1/4 BSPT	19.00	34.54	11.00	16.15				0.56
1BT/4-6	1/4 BSP X 3/8 BSPT	19.00	35.30	11.00	17.27				0.74
1BT/4-8	1/4 BSP X 1/2 BSPT	22.00	41.00	11.00	21.59				1.30
1BT/6-2	3/8 BSP X 1/8 BSPT	22.00	32.00	12.70	11.18				1.50
1BT/6-4	3/8 BSP X 1/4 BSPT	22.00	36.57	12.70	16.51				0.74
1BT/6	3/8 BSP X 3/8 BSPT	22.00	37.33	12.70	17.27				0.74
1BT/6-8	3/8 BSP X 1/2 BSPT	22.00	41.65	12.70	21.59				1.11
1BT/6-12	3/8 BSP X 3/4 BSPT	27.00	44.70	12.70	22.10				2.60
1BT/6-16	3/8 BSP X 1 BSPT	38.00	50.54	12.70	27.94				5.10
1BT/8-2	1/2 BSP X 1/8 BSPT	27.00	39.11	15.24	11.18				2.95
1BT/8-4	1/2 BSP X 1/4 BSPT	27.00	44.45	15.24	16.51				1.50
1BT/8-6	1/2 BSP X 3/8 BSPT	27.00	45.21	15.24	17.27				1.02
1BT/8	1/2 BSP X 1/2 BSPT	27.00	47.30	15.24	21.59				1.02
1BT/8-10	1/2 BSP X 5/8 BSPT	27.00	49.78	15.24	21.84				2.50
1BT/8-12	1/2 BSP X 3/4 BSPT	27.00	49.80	15.24	22.10				1.90
1BT/8-16	1/2 BSP X 1 BSPT	38.00	55.88	15.24	27.94				4.50
1BT/10-4	5/8 BSP X 1/4 BSPT	30.00	45.21	16.00	16.51				2.88
1BT/10-6	5/8 BSP X 3/8 BSPT	30.00	45.97	16.00	17.27				2.88
1BT/10-8	5/8 BSP X 1/2 BSPT	30.00	50.29	16.00	21.59				2.12
1BT/10	5/8 BSP X 5/8 BSPT	30.00	50.54	16.00	21.84				1.60
1BT/10-12	5/8 BSP X 3/4 BSPT	30.00	50.80	16.00	22.10				2.88
1BT/10-16	5/8 BSP X 1 BSPT	38.00	56.64	16.00	27.94				5.60
1BT/12-4	3/4 BSP X 1/4 BSPT	32.00	40.87	17.00	16.51				5.60
1BT/12-6	3/4 BSP X 3/8 BSPT	32.00	46.97	17.00	17.27				5.60
1BT/12-8	3/4 BSP X 1/2 BSPT	32.00	51.29	17.00	21.59				1.95
1BT/12-10	3/4 BSP X 5/8 BSPT	32.00	51.54	17.00	21.84				3.90
1BT/12	3/4 BSP X 3/4 BSPT	32.00	51.80	17.00	22.10				1.64
1BT/12-16	3/4 BSP X 1 BSPT	38.00	57.64	17.00	27.94				3.30
1BT/12-20	3/4 BSP X 1 1/4 BSPT	50.00	62.72	17.00	29.46				6.30
1BT/12-24	3/4 BSP X 1 1/2 BSPT	50.00	62.97	17.00	29.72				10.10
1BT/16-4	1 BSP X 1/4 BSPT	41.00	42.92	19.05	16.51				11.60
1BT/16-6	1 BSP X 3/8 BSPT	41.00	49.02	19.04	17.27				11.60

Further information on other sizes is available on request and all dimensions are in millimetres

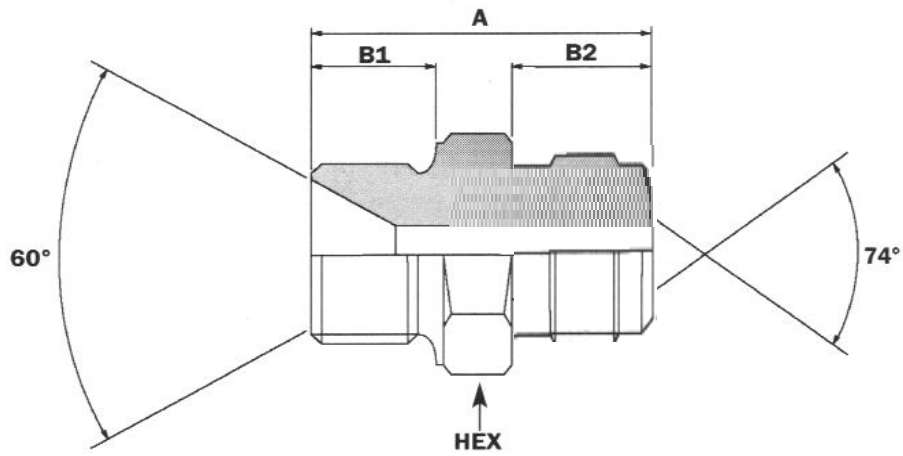
# BSP MALE X BSPT MALE TO DIN 3852 FORM A – continued



PART NUMBER	DESCRIPTION	HEX	A	B1	B2	C1	C2	C3	£ PRICE
1BT/16-8	1 BSP X 1/2 BSPT	41.00	53.34	19.05	21.59				3.50
1BT/16-10	1 BSP X 5/8 BSPT	41.00	53.59	19.05	21.84				7.55
1BT/16-12	1 BSP X 3/4 BSPT	41.00	53.84	19.05	22.10				3.14
1BT/16	1 BSP X 1 BSPT	41.00	59.69	19.05	27.94				3.10
1BT/16-20	1 BSP X 1 1/4 BSPT	50.00	64.77	19.05	29.46				6.98
1BT/16-24	1 BSP X 1 1/2 BSPT	50.00	65.02	19.05	29.72				7.10
1BT/16-32	1 BSP X 2 BSPT	70.00	65.78	19.05	30.48				16.00
1BT/20-12	1 1/4 BSP X 3/4 BSPT	50.00	58.42	20.32	22.10				6.90
1BT/20-16	1 1/4 BSP X 1 BSPT	50.00	64.61	20.32	27.94				6.80
1BT/20	1 1/4 BSP X 1 1/4 BSPT	50.00	66.04	20.32	29.46				5.60
1BT/20-24	1 1/4 BSP X 1 1/2 BSPT	50.00	66.29	20.32	29.72				7.50
1BT/20-32	1 1/4 BSP X 2 BSPT	70.00	70.05	20.32	30.48				16.00
1BT/24-12	1 1/2 BSP X 3/4 BSPT	55.00	61.21	22.86	22.10				14.20
1BT/24-16	1 1/2 BSP X 1 BSPT	55.00	67.05	22.86	27.94				9.10
1BT/24-20	1 1/2 BSP X 1 1/4 BSPT	55.00	68.58	22.86	29.46				9.10
1BT/24	1 1/2 BSP X 1 1/2 BSPT	55.00	68.83	22.86	29.72				7.05
1BT/24-32	1 1/2 BSP X 2 BSPT	70.00	69.59	22.86	30.48				16.07
1BT/32-16	2 BSP X 1 BSPT	70.00	72.97	26.00	27.94				16.07
1BT/32-20	2 BSP X 1 1/4 BSPT	70.00	74.49	26.00	29.46				16.07
1BT/32-24	2 BSP X 1 1/2 BSPT	70.00	74.75	26.00	29.72				16.07
1BT/32	2 BSP X 2 BSPT	70.00	75.51	26.00	30.48				12.96
1BT/32-40	2 BSP X 2 1/2 BSPT	82.55	77.00	26.00	32.50				110.82
1BT/32-48	2 BSP X 3 BSPT	90.00	79.00	26.00	38.00				115.15
1BT/40-32	2 1/2 BSP X 2 BSPT	82.55	79.00	28.00	32.50				110.82
1BT/40	2 1/2 BSP X 2 1/2 BSPT	82.55	84.00	28.00	32.50				110.82
1BT/40-48	2 1/2 BSP X 3 BSPT	90.00	82.00	28.00	38.00				115.15
1BT/48-40	3 BSP X 2 1/2 BSPT	100.00	100.00	28.00	32.50				115.15
1BT/48	3 BSP X 3 BSPT		84.00	28.00	38.00				115.15

Further information on other sizes is available on request and all dimensions are in millimetres

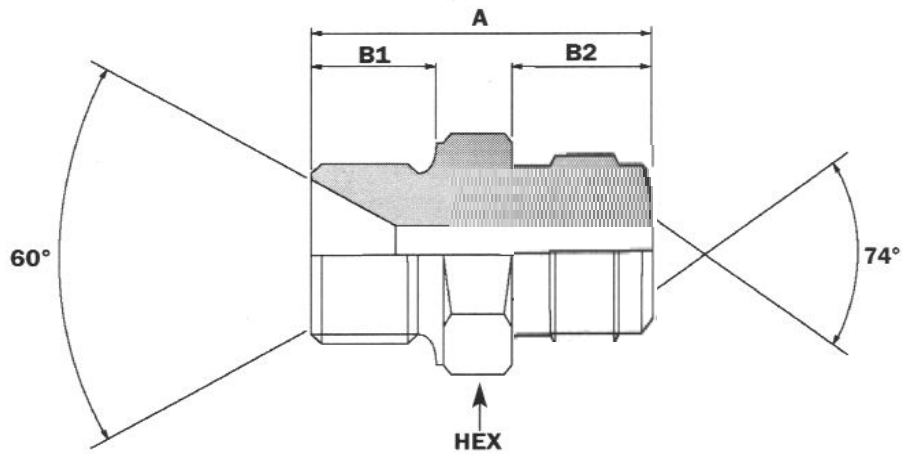
# BSP MALE X JIC MALE TO DIN 3852 FORM A



PART NUMBER	DESCRIPTION	HEX	A	B1	B2	C1	C2	C3	£ PRICE
1BJ/2-4	1/8 BSP X 7/16 JIC	14.00	30.50	10.16	13.97				1.21
1BJ/2-5	1/8 BSP X 1/2 JIC	14.00	30.48	10.16	13.97				1.21
1BJ/2-6	1/8 BSP X 9/16 JIC	14.00	33.00	10.16	13.97				1.21
1BJ/4	1/4 BSP X 7/16 JIC	19.00	31.00	11.00	13.97				0.80
1BJ/4-5	1/4 BSP X 1/2 JIC	19.00	30.73	10.16	14.22				0.80
1BJ/4-6	1/4 BSP X 9/16 JIC	19.00	32.00	11.00	14.22				0.79
1BJ/4-8	1/4 BSP X 3/4 JIC	19.00	37.00	11.00	16.76				1.30
1BJ/4-10	1/4 BSP X 7/8 JIC	27.00	42.16	11.00	19.30				2.50
1BJ/6-4	3/8 BSP X 7/16 JIC	22.00	34.29	12.70	13.97				1.10
1BJ/6-5	3/8 BSP X 1/2 JIC	22.00	36.00	12.70	14.22				1.10
1BJ/6	3/8 BSP X 9/16 JIC	22.00	36.00	12.70	14.22				0.80
1BJ/6-8	3/8 BSP X 3/4 JIC	27.00	37.08	12.70	16.76				0.95
1BJ/6-10	3/8 BSP X 7/8 JIC	27.00	43.00	12.70	19.30				2.50
1BJ/6-12	3/8 BSP X 1 1/16 JIC	27.00	48.51	12.70	21.48				2.90
1BJ/6-16	3/8 BSP X 1 5/16 JIC	38.00	49.78	12.70	23.11				4.20
1BJ/8-4	1/2 BSP X 7/16 JIC	27.00	39.37	15.24	13.97				1.60
1BJ/8-5	1/2 BSP X 1/2 JIC	27.00	40.13	15.24	14.22				1.60
1BJ/8-6	1/2 BSP X 9/16 JIC	22.00	39.62	15.24	14.22				1.20
1BJ/8	1/2 BSP X 3/4 JIC	27.00	42.16	15.24	16.76				1.20
1BJ/8-10	1/2 BSP X 7/8 JIC	27.00	44.70	15.24	19.30				1.30
1BJ/8-12	1/2 BSP X 1 1/16 JIC	27.00	49.80	15.24	21.84				1.80
1BJ/8-14	1/2 BSP X 1 3/16 JIC	32.00	50.80	15.24	22.86				5.20
1BJ/8-16	1/2 BSP X 1 5/16 JIC	38.00	51.05	15.24	23.11				3.13
1BJ/10-6	5/8 BSP X 9/16 JIC	30.00	42.16	17.78	14.22				4.58
1BJ/10-8	5/8 BSP X 3/4 JIC	30.00	44.70	17.78	16.76				3.13
1BJ/10	5/8 BSP X 7/8 JIC	30.00	47.00	16.00	19.30				1.80
1BJ/10-12	5/8 BSP X 1 1/16 JIC	30.00	49.78	17.78	21.84				3.13
1BJ/10-16	5/8 BSP X 1 5/16 JIC	38.00	52.32	17.78	23.11				4.58
1BJ/12-4	3/4 BSP X 7/16 JIC	32.00	43.00	17.00	14.22				6.50
1BJ/12-5	3/4 BSP X 1/2 JIC	32.00	43.00	17.00	14.22				6.50
1BJ/12-6	3/4 BSP X 9/16 JIC	32.00	43.00	17.00	14.22				6.50
1BJ/12-8	3/4 BSP X 3/4 JIC	32.00	45.00	17.00	16.76				2.10
1BJ/12-10	3/4 BSP X 7/8 JIC	32.00	48.00	17.00	19.30				1.92
1BJ/12	3/4 BSP X 1 1/16 JIC	32.00	51.80	17.00	21.84				1.80
1BJ/12-14	3/4 BSP X 1 3/16 JIC	32.00	53.50	17.00	22.86				2.80
1BJ/12-16	3/4 BSP X 1 5/16 JIC	38.00	53.00	17.00	23.11				2.80
1BJ/12-20	3/4 BSP X 1 5/8 JIC	46.00	54.00	17.00	24.38				8.10

Further information on other sizes is available on request and all dimensions are in millimetres

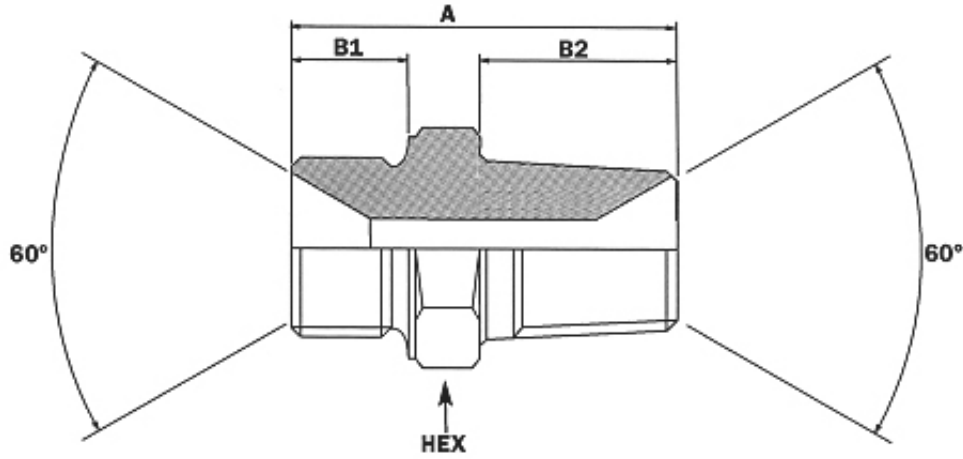
## BSP MALE X JIC MALE TO DIN 3852 FORM A – continued



PART NUMBER	DESCRIPTION	HEX	A	B1	B2	C1	C2	C3	£ PRICE
1BJ/16-8	1 BSP X 3/4 JIC	41.00	52.32	19.05	16.76				3.55
1BJ/16-10	1 BSP X 7/8 JIC	41.00	54.86	19.05	19.30				3.55
1BJ/16-12	1 BSP X 1 1/16 JIC	41.00	57.40	19.05	21.84				3.25
1BJ/16-14	1 BSP X 1 3/16 JIC	41.00	54.00	19.05	22.86				3.25
1BJ/16	1 BSP X 1 5/16 JIC	41.00	58.67	19.05	23.11				3.25
1BJ/16-20	1 BSP X 1 5/8 JIC	44.45	59.94	19.05	24.38				6.70
1BJ/16-24	1 BSP X 1 7/8 JIC	50.00	62.99	19.05	27.43				10.50
1BJ/20-12	1 1/4 BSP X 1 1/16 JIC	50.00	61.21	20.32	21.84				5.55
1BJ/20-16	1 1/4 BSP X 1 5/16 JIC	50.00	62.48	20.32	23.11				7.10
1BJ/20	1 1/4 BSP X 1 5/8 JIC	50.00	63.75	20.32	24.38				6.14
1BJ/20-24	1 1/4 BSP X 1 7/8 JIC	50.00	65.53	20.32	27.43				8.52
1BJ/20-32	1 1/4 BSP X 2 1/2 JIC	70.00	73.15	20.32	33.78				20.50
1BJ/24-16	1 1/2 BSP X 1 5/16 JIC	55.00	65.02	22.86	23.11				10.50
1BJ/24-20	1 1/2 BSP X 1 5/8 JIC	55.00	66.29	22.86	24.38				9.80
1BJ/24	1 1/2 BSP X 1 7/8 JIC	55.00	69.34	22.86	27.43				7.50
1BJ/24-32	1 1/2 BSP X 2 1/2 JIC	70.00	75.69	22.86	33.78				20.10
1BJ/32-20	2 BSP X 1 5/8 JIC	70.00	69.87	26.00	24.38				20.10
1BJ/32-24	2 BSP X 1 7/8 JIC	70.00	73.15	26.00	27.43				20.10
1BJ/32	2 BSP X 2 1/2 JIC	70.00	78.82	26.00	33.78				15.90
1BJ/40-24	2 1/2 BSP X 1 7/8 JIC	82.55	76.00	28.00	27.43				79.00
1BJ/40-32	2 1/2 BSP X 2 1/2 JIC	82.55	82.00	28.00	33.78				79.00
1BJ/48-24	3 BSP X 1 7/8 JIC	100.00	76.00	28.00	27.43				110.00
1BJ/48-32	3 BSP X 2 1/2 JIC	100.00	82.00	28.00	33.78				110.00

Further information on other sizes is available on request and all dimensions are in millimetres

# BSP MALE X NPTF MALE TO DIN 3852 FORM A

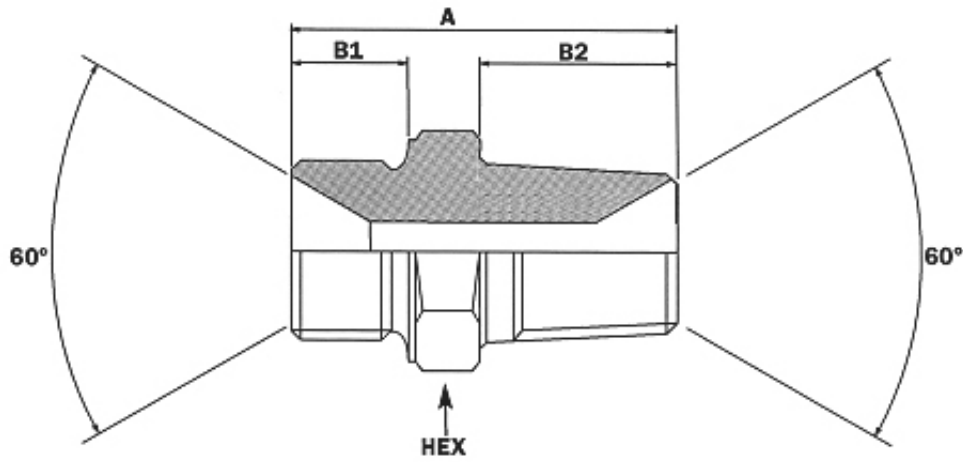


PART NUMBER	DESCRIPTION	HEX	A	B1	B2	C1	C2	C3	£ PRICE
1BN/2	1/8 BSP X 1/8 NPTF	14.00	26.20	10.16	9.65				0.72
1BN/2-4	1/8 BSP X 1/4 NPTF	14.00	30.48	10.16	14.22				1.61
1BN/2-6	1/8 BSP X 3/8 NPTF	19.00	30.48	10.16	14.22				1.61
1BN/2-8	1/8 BSP X 1/2 NPTF	22.00	39.37	10.16	19.05				3.09
1BN/4-2	1/4 BSP X 1/8 NPTF	19.00	27.00	11.00	9.65				0.90
1BN/4	1/4 BSP X 1/4 NPTF	19.00	32.00	11.00	14.22				0.71
1BN/4-6	1/4 BSP X 3/8 NPTF	19.00	31.00	11.00	14.22				0.80
1BN/4-8	1/4 BSP X 1/2 NPTF	22.00	38.30	11.00	19.05				1.60
1BN/4-12	1/4 BSP X 3/4 NPTF	27.00	38.80	11.00	19.05				6.11
1BN/6-2	3/8 BSP X 1/8 NPTF	22.00	32.51	12.70	9.65				1.70
1BN/6-4	3/8 BSP X 1/4 NPTF	22.00	31.75	12.70	14.22				0.90
1BN/6	3/8 BSP X 3/8 NPTF	22.00	33.78	12.70	14.22				0.82
1BN/6-8	3/8 BSP X 1/2 NPTF	22.00	41.91	12.70	19.05				1.15
1BN/6-12	3/8 BSP X 3/4 NPTF	27.00	43.18	12.70	19.05				2.08
1BN/8-2	1/2 BSP X 1/8 NPTF	27.00	35.05	15.24	9.65				2.90
1BN/8-4	1/2 BSP X 1/4 NPTF	27.00	39.62	15.24	14.22				1.50
1BN/8-6	1/2 BSP X 3/8 NPTF	27.00	40.30	15.24	14.22				1.10
1BN/8	1/2 BSP X 1/2 NPTF	27.00	44.45	15.24	19.05				1.10
1BN/8-12	1/2 BSP X 3/4 NPTF	27.00	44.80	15.24	19.05				1.91
1BN/8-16	1/2 BSP X 1 NPTF	38.00	44.45	15.24	23.88				3.20
1BN/12-4	3/4 BSP X 1/4 NPTF	32.00	43.00	17.00	14.22				3.90
1BN/12-6	3/4 BSP X 3/8 NPTF	32.00	43.00	17.00	14.22				3.90
1BN/12-8	3/4 BSP X 1/2 NPTF	32.00	48.70	17.00	19.05				2.08
1BN/12	3/4 BSP X 3/4 NPTF	32.00	48.00	17.00	19.05				1.68
1BN/12-16	3/4 BSP X 1 NPTF	38.00	53.00	17.00	23.88				3.50
1BN/12-20	3/4 BSP X 1 1/4 NPTF	50.00	53.00	17.00	24.64				6.26
1BN/16-6	1 BSP X 3/8 NPTF	41.00	46.99	19.05	14.22				6.26
1BN/16-8	1 BSP X 1/2 NPTF	41.00	54.61	19.05	19.05				4.89
1BN/16-12	1 BSP X 3/4 NPTF	41.00	54.61	19.05	19.05				3.25
1BN/16	1 BSP X 1 NPTF	41.00	59.44	19.05	23.88				3.25
1BN/16-20	1 BSP X 1 1/4 NPTF	50.00	54.61	19.05	24.64				6.33
1BN/16-24	1 BSP X 1 1/2 NPTF	50.00	60.69	19.05	25.40				7.19
1BN/16-32	1 BSP X 2 NPTF	70.00	64.26	19.05	26.26				16.44
1BN/20-12	1 1/4 BSP X 3/4 NPTF	50.00	58.42	20.32	19.05				7.09
1BN/20-16	1 1/4 BSP X 1 NPTF	50.00	66.04	20.32	23.88				6.80
1BN/20	1 1/4 BSP X 1 1/4 NPTF	50.00	64.01	20.32	24.64				5.60
1BN/20-24	1 1/4 BSP X 1 1/2 NPTF	50.00	62.23	20.32	25.40				7.80

Further information on other sizes is available on request and all dimensions are in millimetres



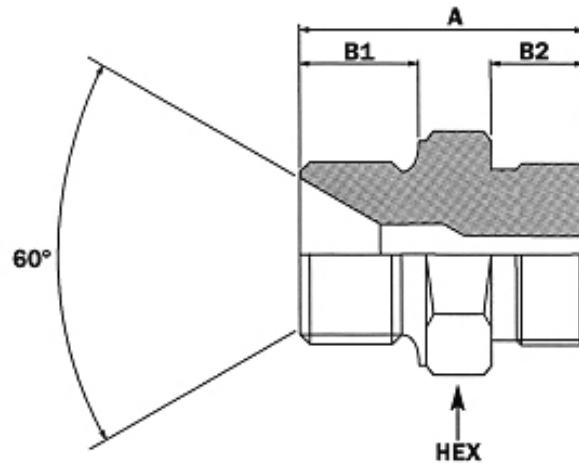
## BSP MALE X NPTF MALE TO DIN 3852 FORM A – continued



PART NUMBER	DESCRIPTION	HEX	A	B1	B2	C1	C2	C3	£ PRICE
1BN/20-32	1 1/4 BSP X 2 NPTF	70.00	68.07	20.32	26.16				16.15
1BN/24-16	1 1/2 BSP X 1 NPTF	55.00	64.52	22.86	23.88				9.09
1BN/24-20	1 1/2 BSP X 1 1/4 NPTF	55.00	65.28	22.86	24.64				9.09
1BN/24	1 1/2 BSP X 1 1/2 NPTF	55.00	67.31	22.86	25.40				7.05
1BN/24-32	1 1/2 BSP X 2 NPTF	70.00	70.61	22.86	26.16				16.10
1BN/32-16	2 BSP X 1 NPTF	70.00	68.52	26.00	23.88				17.10
1BN/32-20	2 BSP X 1 1/4 NPTF	70.00	69.28	26.00	24.64				16.10
1BN/32-24	2 BSP X 1 1/2 NPTF	70.00	68.77	26.00	25.40				16.10
1BN/32	2 BSP X 2 NPTF	70.00	72.07	26.00	26.16				14.20
1BN/32-40	2 BSP X 2 1/2 NPTF	82.55	84.00	26.00	39.00				94.00
1BN/32-48	2 BSP X 3 NPTF	82.55	87.00	26.00	41.00				109.00
1BN/40-32	2 1/2 BSP X 2 NPTF	82.55	74.00	28.00	26.16				94.00
1BN/40	2 1/2 BSP X 2 1/2 NPTF	82.55	86.00	28.00	39.00				94.00
1BN/40-48	2 1/2 BSP X 3 NPTF	82.55	87.00	28.00	41.00				109.00
1BN/48-32	3 BSP X 2 NPTF	100.00	74.00	28.00	26.16				109.00
1BN/48-40	3 BSP X 2 1/2 NPTF	100.00	86.00	28.00	39.00				109.00
1BN/48	3 BSP X 3 NPTF	100.00	87.00	28.00	41.00				109.00

Further information on other sizes is available on request and all dimensions are in millimetres

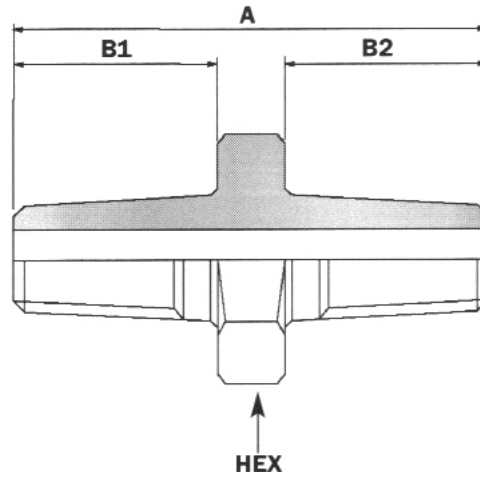
## BSP MALE X SAE O RING BOSS MALE WITH O RING



PART NUMBER	DESCRIPTION	HEX	A	B1	B2	C1	C2	C3	£ PRICE
1BO/4	1/4 BSP X 7/16 SAE	19.00	47.00	11.00	19.14				0.99
1BO/4-5	1/4 BSP X 1/2 SAE	19.00	27.17	17.00	9.91				0.99
1BO/4-6	1/4 BSP X 9/16 SAE	19.00	47.00	11.00	9.91				0.99
1BO/4-8	1/4 BSP X 3/4 SAE	22.00	30.48	11.00	11.43				1.61
1BO/6-4	3/8 BSP X 7/16 SAE	22.00	29.46	12.70	9.14				1.19
1BO/6-5	3/8 BSP X 1/2 SAE	22.00	29.46	12.70	9.14				1.19
1BO/6	3/8 BSP X 9/16 SAE	22.00	33.50	12.70	9.91				1.08
1BO/6-8	3/8 BSP X 3/4 SAE	22.00	31.50	12.70	11.18				1.32
1BO/6-10	3/8 BSP X 7/8 SAE	27.00	35.80	12.70	12.70				1.95
1BO/6-12	3/8 BSP X 1 1/16 SAE	32.00	38.60	12.70	11.24				2.20
1BO/8-6	1/2 BSP X 9/16 SAE	27.00	35.31	15.24	9.91				1.40
1BO/8	1/2 BSP X 3/4 SAE	27.00	36.58	15.24	11.18				1.41
1BO/8-10	1/2 BSP X 7/8 SAE	27.00	41.50	15.24	12.70				1.41
1BO/8-12	1/2 BSP X 1 1/16 SAE	32.00	43.70	15.24	15.24				2.12
1BO/10-8	5/8 BSP X 3/4 SAE	32.00	39.25	16.00	11.18				2.02
1BO/10	5/8 BSP X 7/8 SAE	30.00	43.20	17.78	12.70				2.02
1BO/10-12	5/8 BSP X 1 1/16 SAE	32.00	43.70	16.00	15.24				2.50
1BO/12-8	3/4 BSP X 3/4 SAE	32.00	42.40	17.00	11.18				2.28
1BO/12-10	3/4 BSP X 7/8 SAE	32.00	41.00	17.00	12.70				2.18
1BO/12	3/4 BSP X 1 1/16 SAE	32.00	42.00	17.00	15.24				2.19
1BO/12-16	3/4 BSP X 1 5/16 SAE	38.00	44.96	17.00	15.24				3.10
1BO/12-20	3/4 BSP X 1 5/8 SAE	50.00	50.50	17.00	15.24				5.11
1BO/16-12	1 BSP X 1 1/16 SAE	41.00	51.80	19.05	15.24				3.35
1BO/16	1 BSP X 1 5/16 SAE	41.00	50.80	19.05	15.24				3.35
1BO/16-24	1 BSP X 1 7/8 SAE	50.00	51.30	19.05	15.24				11.27
1BO/20-16	1 1/4 BSP X 1 5/16 SAE	50.00	54.61	20.32	15.24				6.95
1BO/20	1 1/4 BSP X 1 5/8 SAE	50.00	54.61	20.32	15.24				6.95
1BO/20-24	1 1/4 BSP X 1 7/8 SAE	50.00	54.61	20.32	15.24				9.30
1BO/24-20	1 1/2 BSP X 1 5/8 SAE	55.00	57.15	22.86	15.24				9.30
1BO/24	1 1/2 BSP X 1 7/8 SAE	55.00	57.15	22.86	15.24				9.30

Further information on other sizes is available on request and all dimensions are in millimetres

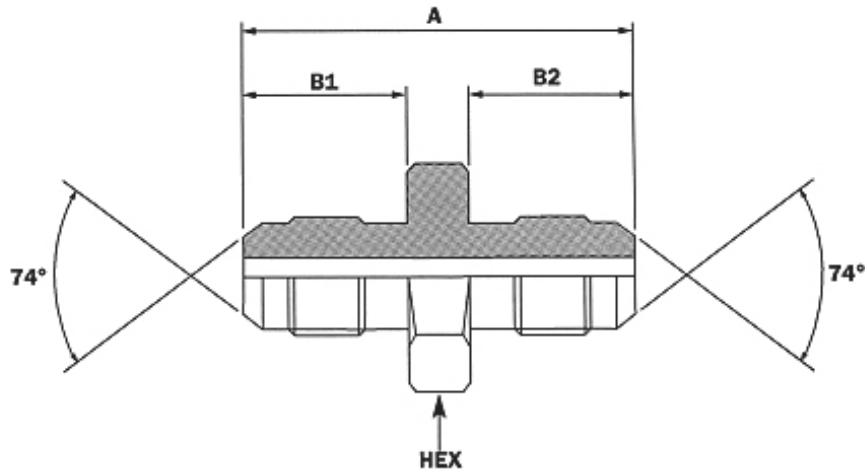
## BSPT MALE X BSPT MALE



PART NUMBER	DESCRIPTION	HEX	A	B1	B2	C1	C2	C3	£ PRICE
1T/2	1/8 BSPT X 1/8 BSPT	14.00	27.68	10.79	10.79				1.48
1T/2-4	1/8 BSPT X 1/4 BSPT	14.00	33.00	10.79	16.15				1.90
1T/4	1/4 BSPT X 1/4 BSPT	14.00	40.64	16.15	16.15				1.90
1T/4-6	1/4 BSPT X 3/8 BSPT	19.00	41.10	16.15	17.15				1.90
1T/4-8	1/4 BSPT X 1/2 BSPT	22.00	46.60	16.15	21.59				1.99
1T/6	3/8 BSPT X 3/8 BSPT	19.00	42.16	17.15	17.15				1.90
1T/6-8	3/8 BSPT X 1/2 BSPT	22.00	48.50	17.15	51.29				1.99
1T/8	1/2 BSPT X 1/2 BSPT	22.00	52.90	21.59	21.59				1.99
1T/8-12	1/2 BSPT X 3/4 BSPT	27.00	53.84	21.59	22.10				2.90
1T/12	3/4 BSPT X 3/4 BSPT	27.00	54.10	22.10	22.10				2.90
1T/12-16	3/4 BSPT X 1 BSPT	38.00	60.19	20.70	27.94				5.11
1T/12-20	3/4 BSPT X 1 1/4 BSPT	46.00	68.40	20.70	29.71				9.80
1T/16	1 BSPT X 1 BSPT	38.00	68.58	27.94	27.94				4.11
1T/16-20	1 BSPT X 1 1/4 BSPT	46.00	70.60	27.94	29.71				9.80
1T/16-24	1 BSPT X 1 1/2 BSPT	50.00	70.61	27.94	29.71				15.50
1T/20-20	1 1/4 BSPT X 1 1/4 BSPT	46.00	70.61	29.71	29.71				9.50
1T/20-24	1 1/4 BSPT X 1 1/2 BSPT	50.00	70.61	29.71	29.71				12.18
1T/24	1 1/2 BSPT X 1 1/2 BSPT	50.00	70.61	29.71	29.71				12.18
1T/24-32	1 1/2 BSPT X 2 BSPT	70.00	76.20	29.71	30.48				24.46
1T/32	2 BSPT X 2 BSPT	70.00	76.20	30.48	30.48				20.48

Further information on other sizes is available on request and all dimensions are in millimetres

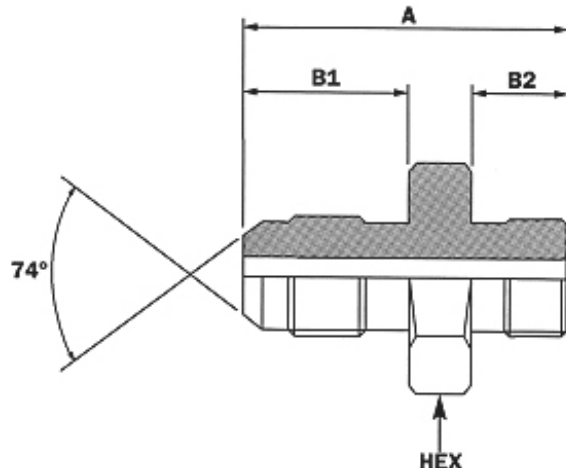
# JIC MALE X JIC MALE



PART NUMBER	DESCRIPTION	HEX	A	B1	B2	C1	C2	C3	£ PRICE
1J/4	7/16 JIC X 7/16 JIC	14.00	34.79	13.97	13.97				0.82
1J/4-6	7/16 JIC X 9/16 JIC	19.00	35.81	13.97	14.22				1.19
1J/4-8	7/16 JIC X 3/4 JIC	22.00	38.35	13.97	16.76				1.90
1J/4-10	7/16 JIC X 7/8 JIC	27.00	42.00	13.97	19.30				2.39
1J/5-4	1/2 JIC X 7/16 JIC	14.00	35.00	13.97	13.97				1.21
1J/5	1/2 JIC X 1/2 JIC	14.00	34.79	13.97	13.97				1.21
1J/5-6	1/2 JIC X 9/16 JIC	19.00	35.81	13.97	14.22				1.21
1J/5-8	1/2 JIC X 3/4 JIC	19.00	38.60	13.97	16.76				1.21
1J/5-10	1/2 JIC X 7/8 JIC	27.00	42.00	13.97	19.30				2.60
1J/5-12	1/2 JIC X 1 1/16 JIC	27.00	45.25	13.97	21.84				3.21
1J/6	9/16 JIC X 9/16 JIC	19.00	36.06	14.22	14.22				0.93
1J/6-8	9/16 JIC X 3/4 JIC	19.00	38.85	14.22	16.76				1.45
1J/6-10	9/16 JIC X 7/8 JIC	27.00	42.00	13.97	19.30				1.95
1J/6-12	9/16 JIC X 1 1/16 JIC	27.00	46.50	13.97	21.84				2.77
1J/8	3/4 JIC X 3/4 JIC	19.00	41.39	16.76	16.76				1.28
1J/8-10	3/4 JIC X 7/8 JIC	27.00	44.95	16.76	19.30				1.71
1J/8-12	3/4 JIC X 1 1/16 JIC	27.00	48.90	16.76	21.84				2.05
1J/8-16	3/4 JIC X 1 5/16 JIC	38.00	55.87	16.76	23.11				3.21
1J/10	7/8 JIC X 7/8 JIC	25.40	47.49	19.30	19.30				1.52
1J/10-12	7/8 JIC X 1 1/16 JIC	27.00	51.44	19.30	21.84				2.07
1J/10-14	7/8 JIC X 1 3/16 JIC	32.00	52.56	19.30	22.60				3.22
1J/10-16	7/8 JIC X 1 5/16 JIC	38.00	58.41	19.30	23.11				3.22
1J/12	1 1/16 JIC X 1 1/16 JIC	27.00	53.62	21.84	21.84				2.05
1J/12-14	1 1/16 JIC X 1 3/16 JIC	32.00	54.74	21.84	22.60				3.21
1J/12-16	1 1/16 JIC X 1 5/16 JIC	38.00	60.59	21.84	23.11				2.82
1J/14	1 3/16 JIC X 1 3/16 JIC	32.00	55.86	22.60	22.60				3.21
1J/14-16	1 3/16 JIC X 1 5/16 JIC	38.00	61.71	22.60	23.11				3.21
1J/16	1 5/16 JIC X 1 5/16 JIC	38.00	62.22	23.11	23.11				2.82
1J/16-20	1 5/16 JIC X 1 5/8 JIC	46.00	60.69	23.11	24.38				6.90
1J/20	1 5/8 JIC X 1 5/8 JIC	46.00	61.96	24.38	24.38				6.90
1J/20-24	1 5/8 JIC X 1 7/8 JIC	50.00	65.27	24.38	27.43				7.89
1J/24	1 7/8 JIC X 1 7/8 JIC	50.00	68.32	27.43	27.43				7.89
1J/32	2 1/2 JIC X 2 1/2 JIC	70.00	84.83	33.78	33.78				16.20

Further information on other sizes is available on request and all dimensions are in millimetres

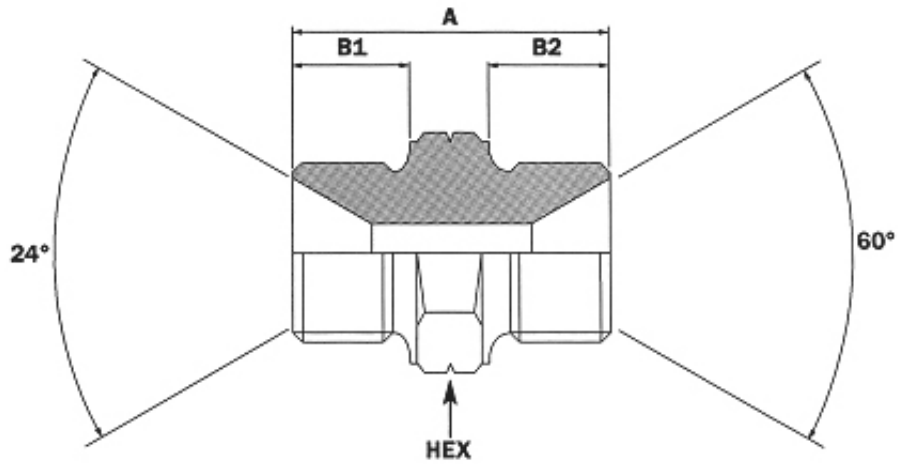
# JIC MALE X SAE O RING BOSS MALE WITH O RING



PART NUMBER	DESCRIPTION	HEX	A	B1	B2	C1	C2	C3	£ PRICE
1JO/4	7/16 JIC X 7/16 SAE	14.00	29.30	13.97	9.14				1.11
1JO/4-6	7/16 JIC X 9/16 SAE	19.00	30.23	13.97	9.91				1.20
1JO/5-4	1/2 JIC X 7/16 SAE	14.00	29.46	13.97	9.14				1.20
1JO/5	1/2 JIC X 1/2 SAE	14.00	29.46	13.97	9.14				1.20
1JO/5-6	1/2 JIC X 9/16 SAE	19.00	30.23	13.97	9.91				1.20
1JO/6-4	9/16 JIC X 7/16 SAE	19.00	31.48	14.22	9.14				1.20
1JO/6-5	9/16 JIC X 1/2 SAE	19.00	31.48	14.22	9.14				1.29
1JO/6	9/16 JIC X 9/16 SAE	19.00	32.25	14.22	9.91				1.20
1JO/6-8	9/16 JIC X 3/4 SAE	22.00	35.05	14.22	11.18				1.51
1JO/6-10	9/16 JIC X 7/8 SAE	25.40	38.09	14.22	12.70				1.68
1JO/8-6	3/4 JIC X 9/16 SAE	22.00	35.56	16.76	9.91				1.78
1JO/8	3/4 JIC X 3/4 SAE	22.00	37.59	16.76	11.18				1.43
1JO/8-10	3/4 JIC X 7/8 SAE	25.40	40.63	16.76	12.70				1.60
1JO/8-12	3/4 JIC X 1 1/16 SAE	32.00	41.00	16.76	15.24				2.60
1JO/10-8	7/8 JIC X 3/4 SAE	32.00	49.78	21.84	15.24				1.68
1JO/10	7/8 JIC X 7/8 SAE	25.40	41.65	19.30	12.70				1.68
1JO/10-12	7/8 JIC X 1 1/16 SAE	32.00	47.24	19.30	15.24				2.75
1JO/10-16	7/8 JIC X 1 5/16 SAE	38.00	47.22	19.30	15.24				3.95
1JO/12-10	1 1/16 JIC X 7/8 SAE	32.00	45.71	21.84	12.70				3.10
1JO/12	1 1/16 JIC X 1 1/16 SAE	32.00	49.78	21.84	15.24				2.48
1JO/12-16	1 1/16 JIC X 1 5/16 SAE	38.00	50.79	21.84	15.24				3.90
1JO/14-12	1 3/16 JIC X 1 1/16 SAE	32.00	50.54	22.60	15.24				3.90
1JO/14	1 3/16 JIC X 1 3/16 SAE	32.00	57.90	22.60	22.60				3.90
1JO/16-12	1 5/16 JIC X 1 1/16 SAE	38.00	51.05	23.11	15.24				3.90
1JO/16	1 5/16 JIC X 1 5/16 SAE	38.00	52.06	23.11	15.24				3.90
1JO/16-20	1 5/16 JIC X 1 5/8 SAE	46.00	52.06	23.11	15.24				7.04
1JO/20-16	1 5/8 JIC X 1 5/16 SAE	46.00	53.33	24.38	15.24				7.04
1JO/20	1 5/8 JIC X 1 5/8 SAE	46.00	53.33	24.38	15.24				7.04
1JO/20-24	1 5/8 JIC X 1 7/8 SAE	50.00	54.86	24.38	15.24				11.61
1JO/24-20	1 7/8 JIC X 1 5/8 SAE	50.00	54.86	24.38	15.24				11.61
1JO/24	1 7/8 JIC X 1 7/8 SAE	50.00	57.91	27.43	15.24				11.61
1JO/24-32	1 7/8 JIC X 2 1/2 SAE	70.00	57.91	27.43	15.24				19.75
1JO/32	2 1/2 JIC X 2 1/2 SAE	70.00	64.26	33.78	15.24				19.75

Further information on other sizes is available on request and all dimensions are in millimetres

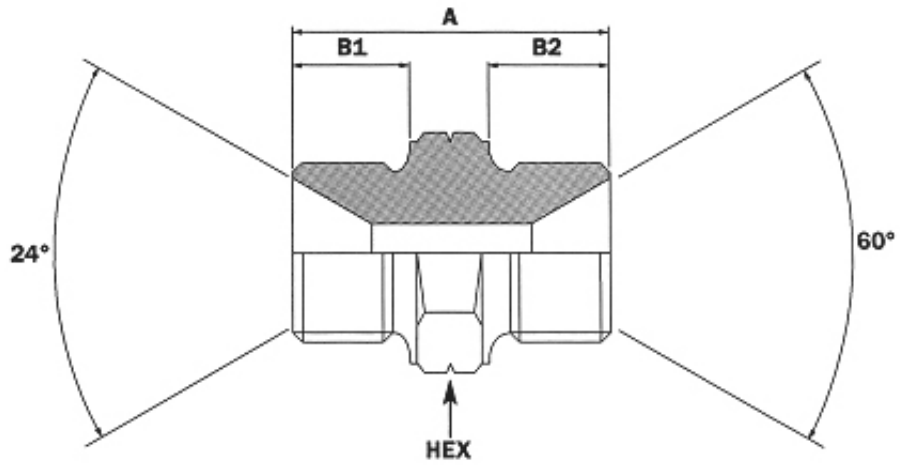
# METRIC MALE 1.5 PITCH X BSP MALE TO DIN 3852 FORM A



PART NUMBER	DESCRIPTION	HEX	A	B1	B2	C1	C2	C3	£ PRICE
1MB/10-2	10 MM X 1 MM X 1/8 BSP	14.00	27.94	10.16	10.16				1.41
1MB/10-4	10 MM X 1 MM X 1/4 BSP	19.00	31.00	10.16	11.00				1.41
1MB/12-4	12 MM X 1/4 BSP	19.00	31.00	11.00	11.00				1.41
1MB/12-6	12 MM X 3/8 BSP	22.00	34.00	11.00	12.70				1.41
1MB/12-8	12 MM X 1/2 BSP	27.00	37.00	11.00	15.24				2.00
1MB/14-4	14 MM X 1/4 BSP	19.00	31.00	11.00	11.00				1.19
1MB/14-6	14 MM X 3/8 BSP	22.00	34.00	11.00	12.70				1.41
1MB/14-8	14 MM X 1/2 BSP	27.00	38.00	11.00	15.24				1.82
1MB/16-4	16 MM X 1/4 BSP	22.00	34.00	12.70	11.00				1.45
1MB/16-6	16 MM X 3/8 BSP	22.00	35.31	12.70	12.70				1.50
1MB/16-8	16 MM X 1/2 BSP	27.00	41.15	12.70	15.24				2.00
1MB/16-12	16 MM X 3/4 BSP	32.00	43.00	12.70	17.00				2.00
1MB/18-4	18 MM X 1/4 BSP	22.00	33.52	12.70	11.00				1.60
1MB/18-6	18 MM X 3/8 BSP	22.00	35.31	12.70	12.70				0.90
1MB/18-8	18 MM X 1/2 BSP	27.00	41.15	12.70	15.24				1.21
1MB/18-12	18 MM X 3/4 BSP	32.00	43.00	12.70	17.00				2.00
1MB/20-4	20 MM X 1/4 BSP	27.00	39.00	15.24	11.00				2.19
1MB/20-6	20 MM X 3/8 BSP	27.00	41.14	15.24	12.70				2.19
1MB/20-8	20 MM X 1/2 BSP	27.00	43.69	15.24	15.24				1.72
1MB/20-12	20 MM X 3/4 BSP	32.00	46.00	15.24	17.00				1.95
1MB/22-4	22 MM X 1/4 BSP	27.00	39.30	15.24	11.00				1.95
1MB/22-6	22 MM X 3/8 BSP	27.00	41.80	15.24	12.70				1.90
1MB/22-8	22 MM X 1/2 BSP	27.00	44.30	15.24	15.24				1.90
1MB/22-10	22 MM X 5/8 BSP	30.00	44.45	15.24	16.00				2.50
1MB/22-12	22 MM X 3/4 BSP	32.00	49.00	15.24	17.00				1.95
1MB/22-16	22 MM X 1 BSP	41.00	50.20	15.24	19.05				4.07
1MB/24-6	24 MM X 3/8 BSP	32.00	44.45	16.00	12.70				2.40
1MB/24-8	24 MM X 1/2 BSP	32.00	46.00	16.00	15.24				2.40
1MB/24-12	24 MM X 3/4 BSP	32.00	48.00	16.00	17.00				2.19
1MB/26-8	26 MM X 1/2 BSP	32.00	47.00	16.00	15.24				2.40
1MB/26-10	26 MM X 5/8 BSP	32.00	47.57	16.00	16.00				2.40
1MB/26-12	26 MM X 3/4 BSP	32.00	49.60	16.00	17.00				2.18
1MB/27-8	27 MM X 1/2 BSP	32.00	48.00	16.00	15.24				2.50
1MB/27-12	27 MM X 3/4 BSP	32.00	48.55	16.00	17.00				2.81
1MB/27-16	27 MM X 1 BSP	41.00	50.80	16.00	19.05				5.20
1MB/30-12	30 MM X 3/4 BSP	41.00	51.80	19.05	17.00				5.20

Further information on other sizes is available on request and all dimensions are in millimetres

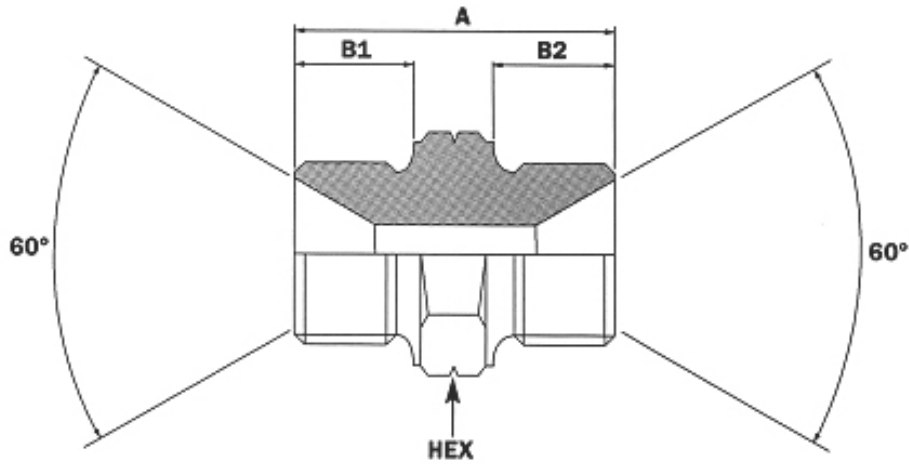
# METRIC MALE 1.5 PITCH X BSP MALE TO DIN 3852 FORM A – continued



PART NUMBER	DESCRIPTION	HEX	A	B1	B2	C1	C2	C3	£ PRICE
1MB/30-16	30 MM X 1 BSP	41.00	53.84	19.05	19.05				4.99
1MB/33-16	33 MM X 1 BSP	41.00	53.84	19.05	19.05				5.20
1MB/48-20	48 MM X 1 1/4 BSP	55.00	62.48	22.86	20.32				10.20

Further information on other sizes is available on request and all dimensions are in millimetres

## METRIC MALE X METRIC MALE 1.5 PITCH

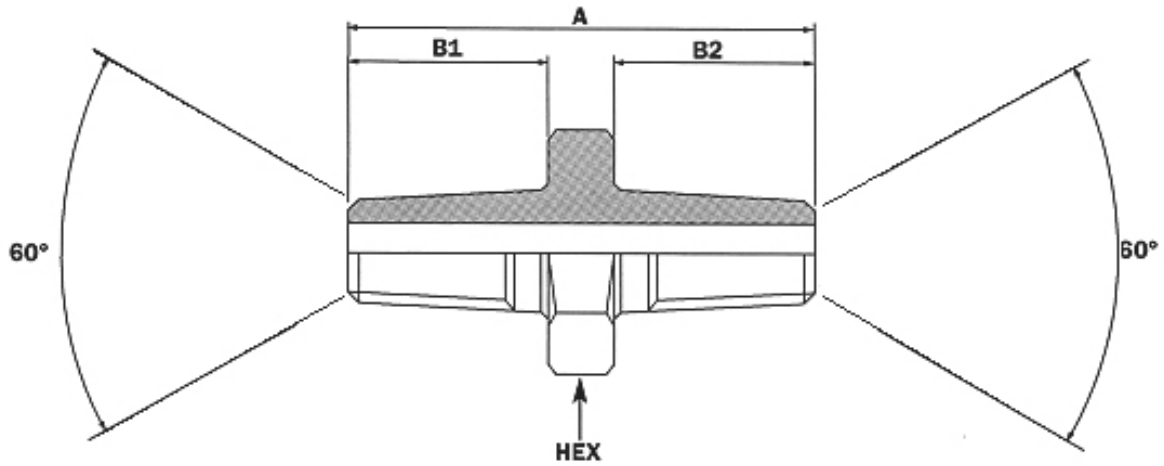


PART NUMBER	DESCRIPTION	HEX	A	B1	B2	C1	C2	C3	£ PRICE
1M/10-10	10 MM X 10 MM X 1 MM	14.00	27.94	10.16	10.16				1.45
1M/10-12	10 MM X 12 MM X 1 MM	19.00	31.00	11.00	10.16				1.45
1M/12-12	12 MM X 12 MM	19.00	32.00	11.00	11.00				1.45
1M/12-14	12 MM X 14 MM	19.00	32.00	11.00	11.00				1.45
1M/12-16	12 MM X 16 MM	22.00	33.00	11.00	12.70				1.45
1M/12-18	12 MM X 18 MM	22.00	32.00	11.00	12.70				1.45
1M/14-14	14 MM X 14 MM	19.00	32.00	11.00	11.00				1.45
1M/14-16	14 MM X 16 MM	22.00	34.00	11.00	12.70				1.45
1M/14-18	14 MM X 18 MM	22.00	34.00	11.00	12.70				1.50
1M/14-20	14 MM X 20 MM	27.00	40.00	11.00	15.24				1.60
1M/16-10	16 MM X 10 MM X 1 MM	22.00	35.31	12.70	12.70				2.19
1M/16-16	16 MM X 16 MM	22.00	35.31	12.70	12.70				1.45
1M/16-18	16 MM X 18 MM	22.00	35.31	12.70	12.70				1.60
1M/16-20	16 MM X 20 MM	27.00	41.15	12.70	15.24				1.60
1M/16-22	16 MM X 22 MM	27.00	41.15	12.70	15.24				1.60
1M/16-24	16 MM X 24 MM	32.00	43.00	12.70	16.00				2.52
1M/18-18	18 MM X 18 MM	22.00	35.31	12.70	12.70				1.55
1M/18-20	18 MM X 20 MM	27.00	41.15	12.70	15.24				1.81
1M/18-22	18 MM X 22 MM	27.00	41.15	12.70	15.24				1.81
1M/18-24	18 MM X 24 MM	32.00	43.00	12.70	16.00				2.52
1M/20-20	20 MM X 20 MM	27.00	43.69	15.24	15.24				2.00
1M/20-22	20 MM X 22 MM	27.00	43.00	15.24	15.24				1.81
1M/20-24	20 MM X 24 MM	32.00	45.00	15.24	16.00				2.52
1M/20-26	20 MM X 26 MM	32.00	45.00	15.24	16.00				2.52
1M/22-22	22 MM X 22 MM	27.00	43.60	15.24	15.24				1.81
1M/22-24	22 MM X 24 MM	32.00	45.00	15.24	16.00				2.20
1M/22-26	22 MM X 26 MM	32.00	45.00	15.24	16.00				2.52
1M/22-30	22 MM X 30 MM	41.00	47.50	15.00	19.05				4.20
1M/24-24	24 MM X 24 MM	32.00	47.00	16.00	16.00				2.13
1M/24-26	24 MM X 26 MM	32.00	47.00	16.00	16.00				2.13
1M/26-26	26 MM X 26 MM	32.00	49.50	16.00	16.00				2.20
1M/30-30	30 MM X 30 MM X 2 MM	41.00	53.84	19.05	19.05				4.10
1M/30-38	30 MM X 38 MM X 2 MM	50.00	58.67	19.05	20.37				7.50

Further information on other sizes is available on request and all dimensions are in millimetres



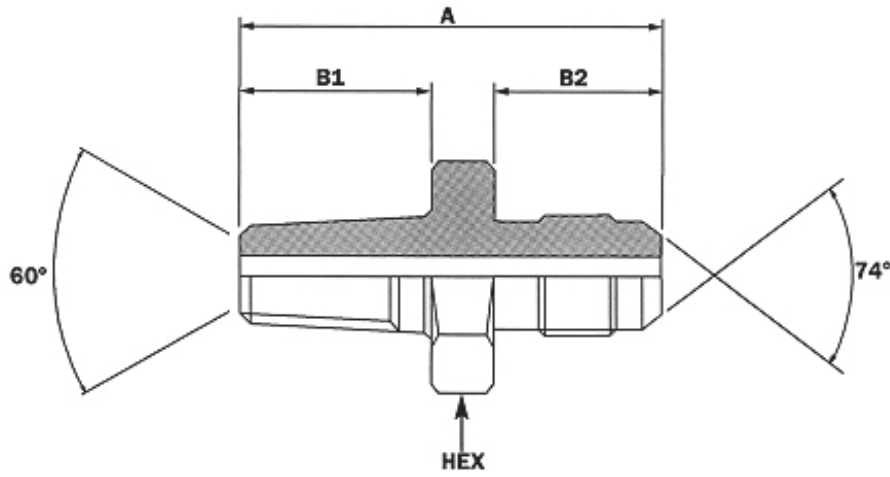
## NPTF MALE X NPTF MALE



PART NUMBER	DESCRIPTION	HEX	A	B1	B2	C1	C2	C3	£ PRICE
1N/2	1/8 NPTF X 1/8 NPTF	14.00	21.84	9.65	9.65				1.45
1N/2-4	1/8 NPTF X 1/4 NPTF	14.00	28.96	9.65	14.22				1.45
1N/2-6	1/8 NPTF X 3/8 NPTF	19.00	28.96	9.65	14.22				2.50
1N/2-8	1/8 NPTF X 1/2 NPTF	22.00	36.32	9.65	19.05				2.50
1N/4	1/4 NPTF X 1/4 NPTF	14.00	36.07	14.22	14.22				1.40
1N/4-6	1/4 NPTF X 3/8 NPTF	19.00	37.20	14.22	14.22				1.50
1N/4-8	1/4 NPTF X 1/2 NPTF	22.00	41.91	14.22	19.05				1.90
1N/6	3/8 NPTF X 3/8 NPTF	19.00	37.20	14.22	14.22				1.50
1N/6-8	3/8 NPTF X 1/2 NPTF	22.00	41.91	14.22	19.05				1.50
1N/8	1/2 NPTF X 1/2 NPTF	22.00	45.72	19.05	19.05				1.70
1N/8-12	1/2 NPTF X 3/4 NPTF	27.00	48.26	19.05	19.05				2.86
1N/12	3/4 NPTF X 3/4 NPTF	27.00	48.26	19.05	19.05				2.86
1N/12-16	3/4 NPTF X 1 NPTF	38.00	55.62	19.05	23.88				3.54
1N/12-20	3/4 NPTF X 1 1/4 NPTF	46.00	56.50	19.05	24.64				9.55
1N/16	1 NPTF X 1 NPTF	38.00	58.20	23.88	23.88				3.54
1N/16-20	1 NPTF X 1 1/4 NPTF	46.00	61.21	23.88	24.64				9.55
1N/20	1 1/4 NPTF X 1 1/4 NPTF	46.00	61.21	23.88	24.64				9.55
1N/20-24	1 1/4 NPTF X 1 1/2 NPTF	50.00	62.74	24.64	25.40				10.22
1N/24	1 1/2 NPTF X 1 1/2 NPTF	50.00	66.00	25.40	25.40				10.22
1N/24-32	1 1/2 NPTF X 2 NPTF	70.00	64.26	25.40	26.16				16.20
1N/32	2 NPTF X 2 NPTF	70.00	67.56	26.16	26.16				16.20

Further information on other sizes is available on request and all dimensions are in millimetres

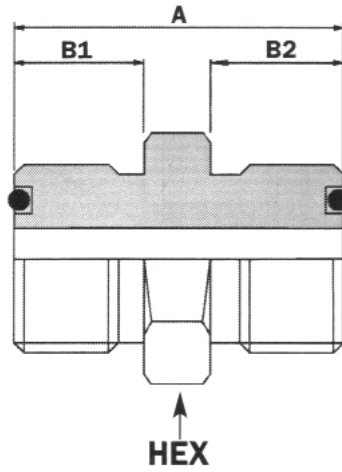
# NPTF MALE X JIC MALE



PART NUMBER	DESCRIPTION	HEX	A	B1	B2	C1	C2	C3	£ PRICE
1NJ/2-4	1/8 NPTF X 7/16 JIC	14.00	31.40	9.65	13.97				0.95
1NJ/2-5	1/8 NPTF X 1/2 JIC	14.00	31.49	9.65	13.97				0.95
1NJ/2-6	1/8 NPTF X 9/16 JIC	19.00	31.74	9.65	14.22				1.54
1NJ/2-8	1/8 NPTF X 3/4 JIC	19.00	34.50	9.65	16.76				1.60
1NJ/4	1/4 NPTF X 7/16 JIC	14.00	36.06	14.22	13.97				0.95
1NJ/4-5	1/4 NPTF X 1/2 JIC	14.00	36.10	14.22	13.97				0.95
1NJ/4-6	1/4 NPTF X 9/16 JIC	19.00	36.31	14.22	14.22				0.95
1NJ/4-8	1/4 NPTF X 3/4 JIC	19.00	38.85	14.22	16.76				1.40
1NJ/4-10	1/4 NPTF X 7/8 JIC	25.40	43.17	14.22	19.30				2.05
1NJ/6-4	3/8 NPTF X 7/16 JIC	19.00	36.06	14.22	13.97				1.23
1NJ/6-5	3/8 NPTF X 1/2 JIC	19.00	35.80	14.22	13.97				1.23
1NJ/6	3/8 NPTF X 9/16 JIC	19.00	36.31	14.22	14.22				1.10
1NJ/6-8	3/8 NPTF X 3/4 JIC	19.00	38.85	14.22	16.76				1.23
1NJ/6-10	3/8 NPTF X 7/8 JIC	27.00	43.17	14.22	19.30				1.54
1NJ/8-6	1/2 NPTF X 9/16 JIC	22.00	41.14	19.05	14.22				1.54
1NJ/8	1/2 NPTF X 3/4 JIC	22.00	43.68	19.05	16.76				1.54
1NJ/8-10	1/2 NPTF X 7/8 JIC	25.40	47.75	19.05	19.30				1.54
1NJ/8-12	1/2 NPTF X 1 1/16 JIC	27.00	51.97	19.05	21.84				1.54
1NJ/8-16	1/2 NPTF X 1 5/16 JIC	38.00	53.69	19.05	23.11				4.11
1NJ/12-6	3/4 NPTF X 9/16 JIC	27.00	43.00	19.05	16.76				4.11
1NJ/12-8	3/4 NPTF X 3/4 JIC	27.00	47.24	19.05	16.76				2.62
1NJ/12-10	3/4 NPTF X 7/8 JIC	27.00	49.53	19.05	19.30				2.62
1NJ/12	3/4 NPTF X 1 1/16 JIC	27.00	51.96	19.05	21.84				2.50
1NJ/12-16	3/4 NPTF X 1 5/16 JIC	38.00	53.69	19.05	23.11				4.11
1NJ/16-8	1 NPTF X 3/4 JIC	38.00	52.35	23.88	16.76				4.11
1NJ/16-12	1 NPTF X 1 1/16 JIC	38.00	56.79	23.88	21.84				4.11
1NJ/16	1 NPTF X 1 5/16 JIC	38.00	58.42	23.88	23.11				4.00
1NJ/16-20	1 NPTF X 1 5/8 JIC	46.00	61.46	23.88	24.38				9.10
1NJ/16-24	1 NPTF X 1 7/8 JIC	50.00	64.51	23.88	27.43				12.55
1NJ/20-16	1 1/4 NPTF X 1 5/16 JIC	46.00	60.95	24.64	23.11				9.10
1NJ/20	1 1/4 NPTF X 1 5/8 JIC	46.00	62.22	24.64	24.38				8.09
1NJ/20-24	1 1/4 NPTF X 1 7/8 JIC	50.00	65.27	24.64	27.43				10.50
1NJ/24-20	1 1/2 NPTF X 1 5/8 JIC	50.00	65.02	25.40	24.38				10.50
1NJ/24	1 1/2 NPTF X 1 7/8 JIC	50.00	68.07	25.40	27.43				10.50
1NJ/24-32	1 1/2 NPTF X 2 1/2 JIC	70.00	78.35	25.40	33.78				19.75
1NJ/32-24	2 NPTF X 1 7/8 JIC	70.00	71.12	26.16	27.43				19.75
1NJ/32	2 NPTF X 2 1/2 JIC	70.00	78.99	26.16	33.78				19.75

Further information on other sizes is available on request and all dimensions are in millimetres

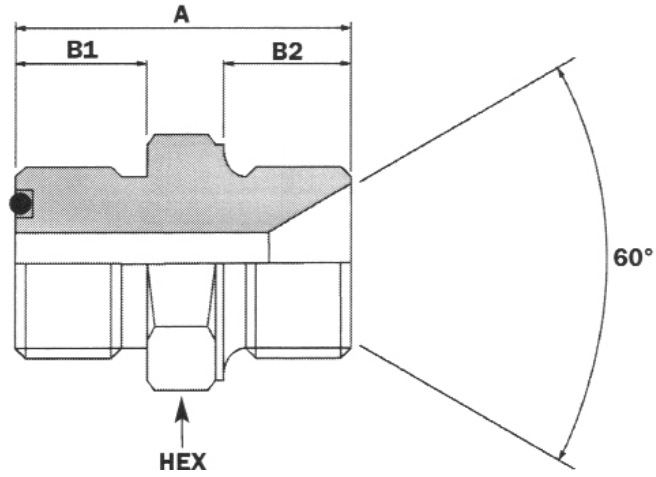
# ORFS MALE X ORFS MALE



PART NUMBER	DESCRIPTION	HEX	A	B1	B2	C1	C2	C3	£ PRICE
1OR/09-09	9/16 ORFS X 9/16 ORFS	19.00	30.00	10.00	10.00				1.40
1OR/09-11	9/16 ORFS X 11/16 ORFS	19.00	31.00	10.00	11.00				1.40
1OR/09-13	9/16 ORFS X 13/16 ORFS	22.00	32.00	10.00	12.00				2.05
1OR/11-11	11/16 ORFS X 11/16 ORFS	19.00	31.00	11.00	11.00				1.60
1OR/11-13	11/16 ORFS X 13/16 ORFS	22.00	32.00	11.00	12.00				2.15
1OR/13-13	13/16 ORFS X 13/16 ORFS	22.00	35.00	12.00	12.00				2.30
1OR/13-16	13/16 ORFS X 1" ORFS	27.00	39.00	12.00	15.50				2.30
1OR/16-16	1" ORFS X 1" ORFS	27.00	42.00	15.50	15.50				2.40
1OR/16-19	1" ORFS X 1 3/16 ORFS	32.00	45.00	15.50	17.00				3.99
1OR/19-19	1 3/16 ORFS X 1 3/16 ORFS	32.00	45.00	17.00	17.00				3.99
1OR/19-23	1 3/16 ORFS X 1 7/16 ORFS	38.00	48.00	17.00	17.50				5.51
1OR/23-23	1 7/16 ORFS X 1 7/16 ORFS	38.00	48.00	17.50	17.50				5.51
1OR/23-27	1 7/16 ORFS X 1 11/16 ORFS	50.00	48.00	17.50	17.50				8.95
1OR/27-27	1 11/16 ORFS X 1 11/16 ORFS	50.00	48.00	17.50	17.50				8.95
1OR/27-32	1 11/16 ORFS X 2" ORFS	55.00	48.00	17.50	17.50				9.52
1OR/32-32	2" ORFS X 2" ORFS	55.00	48.00	17.50	17.50				9.52

Further information on other sizes is available on request and all dimensions are in millimetres

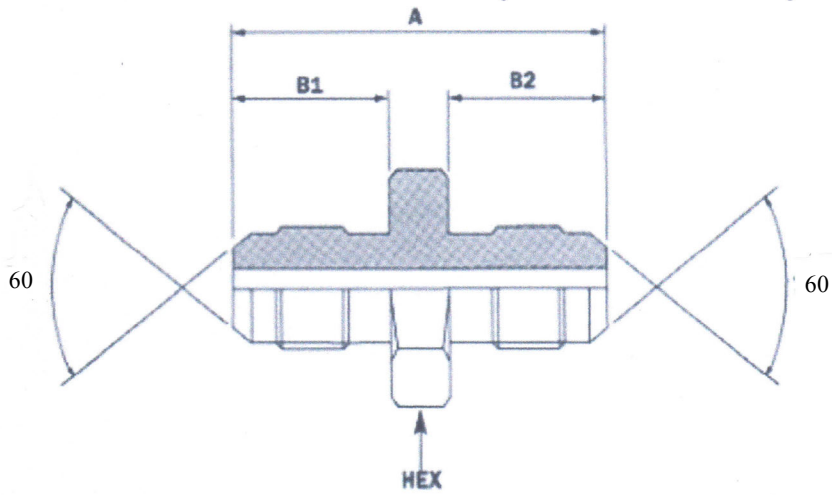
# ORFS MALE X BSP MALE TO DIN 3852 FORM A



PART NUMBER	DESCRIPTION	HEX	A	B1	B2	C1	C2	C3	£ PRICE
1ORB/9-2	9/16 ORFS X 1/8 BSP	19.00	27.94	10.00	10.16				1.35
1ORB/9-4	9/16 ORFS X 1/4 BSP	19.00	27.94	11.00	11.00				1.35
1ORB/9-6	9/16 ORFS X 3/8 BSP	19.00	27.94	11.00	12.70				1.85
1ORB/9-8	9/16 ORFS X 1/2 BSP	27.00	27.94	13.00	12.70				3.50
1ORB/11-2	11/16 ORFS X 1/8 BSP	19.00	28.00	13.00	15.00				2.81
1ORB/11-4	11/16 ORFS X 1/4 BSP	19.00	28.00	15.50	15.00				1.85
1ORB/11-6	11/16 ORFS X 3/8 BSP	22.00	28.00	17.00	17.00				1.50
1ORB/11-8	11/16 ORFS X 1/2 BSP	27.00	28.00	17.50	19.05				3.50
1ORB/13-6	13/16 ORFS X 3/8 BSP	22.00	36.00	17.50	20.32				1.70
1ORB/13-8	13/16 ORFS X 1/2 BSP	27.00	36.00	17.50	15.00				1.70
1ORB/13-12	13/16 ORFS X 3/4 BSP	32.00	42.00	15.50	17.00				4.70
1ORB/16-8	1" ORFS X 1/2 BSP	27.00	43.70	15.50	15.00				2.51
1ORB/16-12	1" ORFS X 3/4 BSP	32.00	43.70	15.50	17.00				4.70
1ORB/19-8	1 3/16 ORFS X 1/2 BSP	32.00	43.00	17.00	15.00				4.55
1ORB/19-12	1 3/16 ORFS X 3/4 BSP	32.00	45.00	17.00	17.00				2.92
1ORB/19-16	1 3/16 ORFS X 1" BSP	41.00	50.00	17.00	19.05				10.95
1ORB/23-16	1 7/16 ORFS X 1" BSP	41.00	52.75	17.50	19.05				4.60
1ORB/23-20	1 7/16 ORFS X 1 1/4 BSP	50.00	52.75	17.50	20.23				12.20
1ORB/27-20	1 11/16 ORFS X 1 1/4 BSP	50.00	57.00	17.50	20.23				12.20
1ORB/32-24	2" ORFS X 1 1/2 BSP	55.00	57.00	17.50	22.86				22.05

Further information on other sizes is available on request and all dimensions are in millimetres

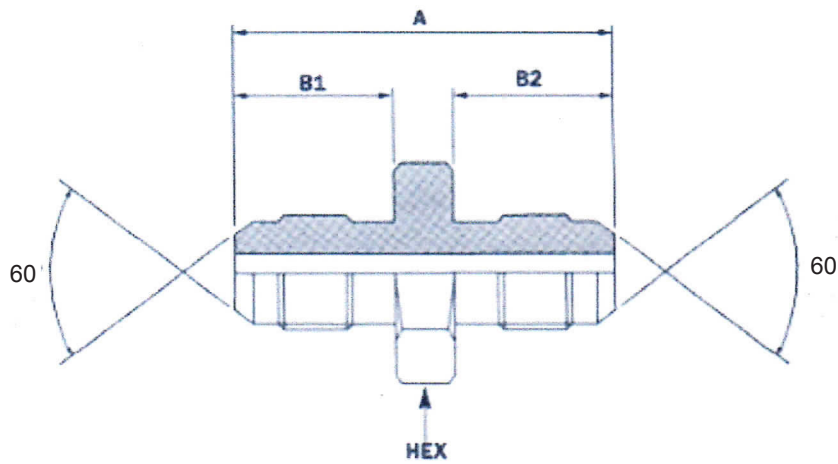
## JIS MALE X JIS MALE (BSP THREADS)



PART NUMBER	DESCRIPTION	HEX	A	B1	B2	C1	C2	C3	£ PRICE
1JSB/4-4	1/4 JIS X 1/4 JIS	19.00	36.06	14.22	14.22				4.48
1JSB/6-6	3/8 JIS X 3/8 JIS	22.00	41.39	16.76	16.76				5.04
1JSB/8-8	1/2 JIS X 1/2 JIS	27.00	47.49	19.30	19.30				5.88
1JSB/12-12	3/4 JIS X 3/4 JIS	32.00	53.62	21.84	21.84				7.56
1JSB/16-16	1' JIS X 1' JIS	41.00	62.22	23.11	23.11				12.60

Further information on other sizes is available on request and all dimensions are in millimetres

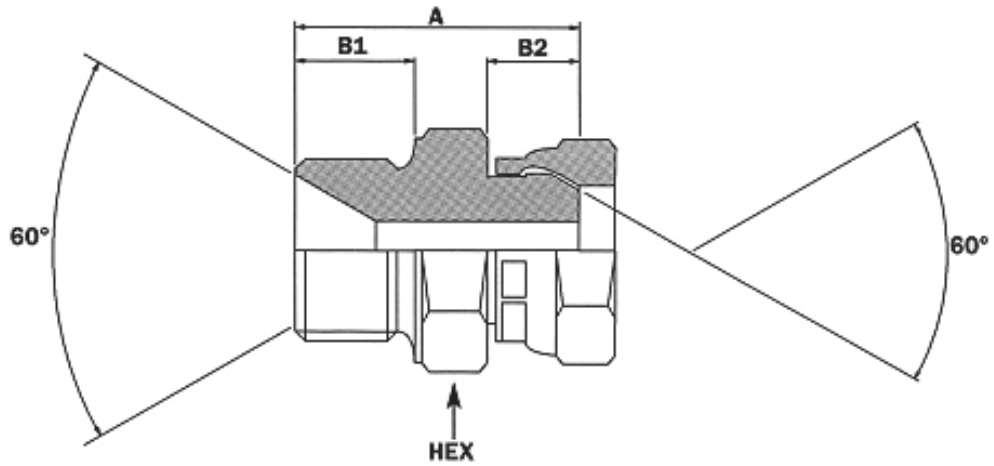
## JIS MALE X JIS MALE (METRIC THREADS)



PART NUMBER	DESCRIPTION	HEX	A	B1	B2	C1	C2	C3	£ PRICE
1JSM/14-14	14 MM JIS X 14 MM JIS	19.00	36.06	14.22	14.22				4.48
1JSM/16-16	16 MM JIS X 16 MM JIS	22.00	41.39	16.76	16.76				5.04
1JSM/18-18	18 MM JIS X 18 MM JIS	22.00	41.39	16.76	16.76				5.33
1JSM/22-22	22 MM JIS X 22 MM JIS	27.00	47.49	19.30	19.30				5.88
1JSM/24-24	24 MM JIS X 24 MM JIS	32.00	49.49	19.80	19.80				6.03
1JSM/30-30	30 MM JIS X 30 MM JIS	41.00	53.62	21.84	21.84				7.56
1JSM/33-33	33 MM JIS X 33 MM JIS	41.00	62.22	23.11	23.11				12.60

Further information on other sizes is available on request and all dimensions are in millimetres

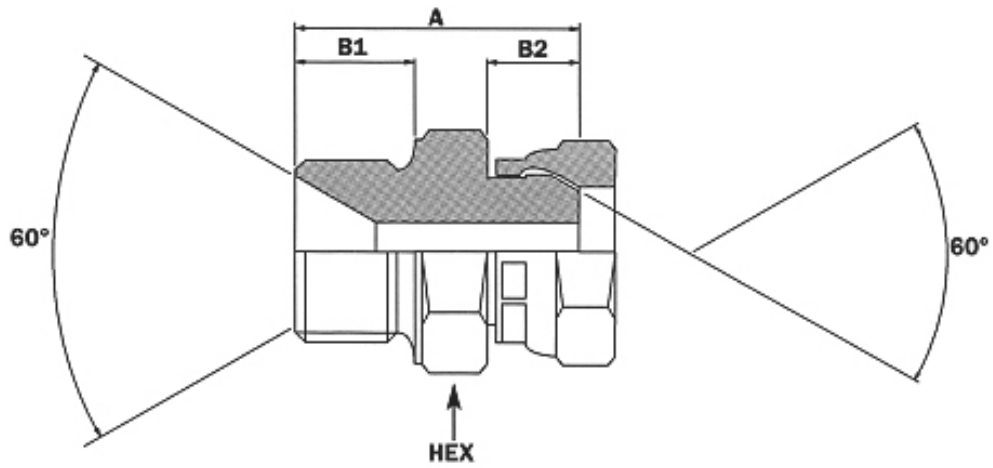
# BSP MALE X BSP SWIVEL FEMALE TO DIN 3852 FORM A



PART NUMBER	DESCRIPTION	HEX	A	B1	B2	C1	C2	C3	£ PRICE
2B/2	1/8 BSP X 1/8 BSP	14.00	29.46	10.16	11.68				1.49
2B/2-4	1/8 BSP X 1/4 BSP	14.00	28.30	10.16	11.94				1.49
2B/4-2	1/4 BSP X 1/8 BSP	19.00	30.00	11.00	11.68				1.60
2B/4	1/4 BSP X 1/4 BSP	19.00	30.00	11.00	11.94				0.98
2B/4-6	1/4 BSP X 3/8 BSP	19.00	31.00	11.00	13.21				1.10
2B/4-8	1/4 BSP X 1/2 BSP	19.00	32.00	11.00	14.22				2.00
2B/4-12	1/4 BSP X 3/4 BSP	27.00	36.38	11.00	14.73				6.11
2B/6-2	3/8 BSP X 1/8 BSP	22.00	31.75	12.70	11.68				2.00
2B/6-4	3/8 BSP X 1/4 BSP	22.00	32.00	12.70	11.94				1.10
2B/6	3/8 BSP X 3/8 BSP	22.00	33.27	12.70	13.21				1.10
2B/6-8	3/8 BSP X 1/2 BSP	22.00	34.29	12.70	14.22				1.20
2B/6-12	3/8 BSP X 3/4 BSP	27.00	37.71	12.70	14.73				3.10
2B/8-4	1/2 BSP X 1/4 BSP	27.00	37.34	15.24	11.94				2.00
2B/8-6	1/2 BSP X 3/8 BSP	27.00	38.61	15.24	13.21				1.48
2B/8	1/2 BSP X 1/2 BSP	27.00	39.62	15.24	14.22				1.48
2B/8-10	1/2 BSP X 5/8 BSP	27.00	41.03	15.24	14.73				3.10
2B/8-12	1/2 BSP X 3/4 BSP	27.00	40.80	15.24	14.73				2.59
2B/8-16	1/2 BSP X 1 BSP	32.00	44.20	15.24	16.76				4.17
2B/10-6	5/8 BSP X 3/8 BSP	30.00	40.00	16.00	13.21				3.60
2B/10-8	5/8 BSP X 1/2 BSP	30.00	41.60	16.00	14.22				3.60
2B/10	5/8 BSP X 5/8 BSP	30.00	42.00	16.00	14.73				3.60
2B/10-12	5/8 BSP X 3/4 BSP	30.00	42.40	16.00	14.73				3.60
2B/12-6	3/4 BSP X 3/8 BSP	32.00	41.00	17.00	13.21				3.60
2B/12-8	3/4 BSP X 1/2 BSP	32.00	43.80	17.00	14.22				2.72
2B/12-10	3/4 BSP X 5/8 BSP	32.00	43.00	17.00	14.73				3.60
2B/12	3/4 BSP X 3/4 BSP	32.00	44.50	17.00	14.73				2.67
2B/12-16	3/4 BSP X 1 BSP	32.00	45.80	17.00	16.76				4.00
2B/12-20	3/4 BSP X 1 1/4 BSP	41.00	49.00	17.00	18.03				10.09
2B/12-24	3/4 BSP X 1 1/2 BSP	50.00	53.00	17.00	19.30				14.18
2B/16-8	1 BSP X 1/2 BSP	41.00	49.78	19.05	14.22				5.00
2B/16-10	1 BSP X 5/8 BSP	41.00	50.29	19.05	14.73				6.48
2B/16-12	1 BSP X 3/4 BSP	41.00	46.48	19.05	14.73				4.40
2B/16	1 BSP X 1 BSP	41.00	49.28	19.05	16.76				4.40
2B/16-20	1 BSP X 1 1/4 BSP	41.00	49.28	19.05	18.03				6.48
2B/16-24	1 BSP X 1 1/2 BSP	50.00	57.15	19.05	19.30				10.50
2B/20-12	1 1/4 BSP X 3/4 BSP	50.00	54.10	20.32	14.73				9.49
2B/20-16	1 1/4 BSP X 1 BSP	50.00	56.13	20.32	16.76				8.18

Further information on other sizes is available on request and all dimensions are in millimetres

# BSP MALE X BSP SWIVEL FEMALE TO DIN 3852 FORM A – continued

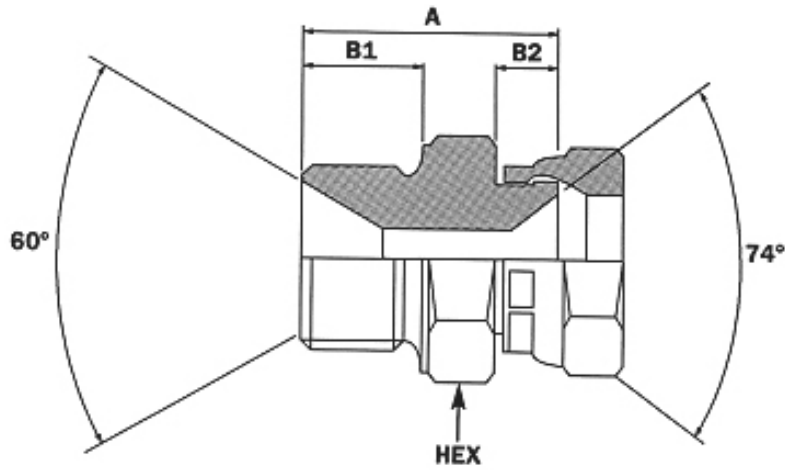


PART NUMBER	DESCRIPTION	HEX	A	B1	B2	C1	C2	C3	£ PRICE
2B/20	1 1/4 BSP X 1 1/4 BSP	50.00	57.40	20.32	18.03				8.18
2B/20-24	1 1/4 BSP X 1 1/2 BSP	50.00	58.67	20.32	19.30				12.88
2B/20-32	1 1/4 BSP X 2 BSP	70.00	62.00	20.32	22.60				19.80
2B/24-16	1 1/2 BSP X 1 BSP	55.00	55.37	22.86	16.76				12.88
2B/24-20	1 1/2 BSP X 1 1/4 BSP	55.00	56.64	22.86	18.03				12.88
2B/24	1 1/2 BSP X 1 1/2 BSP	55.00	58.42	22.86	19.30				12.88
2B/24-32	1 1/2 BSP X 2 BSP	70.00	64.39	22.86	22.60				19.50
2B/32-24	2 BSP X 1 1/2 BSP	70.00	64.77	26.00	19.30				19.50
2B/32	2 BSP X 2 BSP	70.00	67.81	26.00	22.60				19.50

Further information on other sizes is available on request and all dimensions are in millimetres



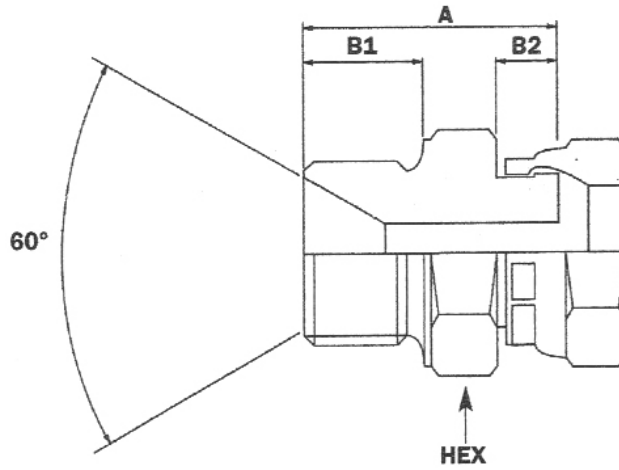
# BSP MALE X JIC SWIVEL FEMALE TO DIN 3852 FORM A



PART NUMBER	DESCRIPTION	HEX	A	B1	B2	C1	C2	C3	£ PRICE
2BJ/4	1/4 BSP X 7/16 JIC	19.00	30.00	11.00	12.19				1.49
2BJ/4-5	1/4 BSP X 1/2 JIC	19.00	30.00	11.00	12.19				1.49
2BJ/4-6	1/4 BSP X 9/16 JIC	19.00	30.00	11.00	12.19				1.49
2BJ/4-8	1/4 BSP X 3/4 JIC	19.00	31.00	11.00	13.21				1.49
2BJ/6-4	3/8 BSP X 7/16 JIC	22.00	31.00	12.70	12.19				1.49
2BJ/6	3/8 BSP X 9/16 JIC	22.00	32.26	12.70	12.19				1.49
2BJ/6-8	3/8 BSP X 3/4 JIC	22.00	33.38	12.70	14.48				1.49
2BJ/6-10	3/8 BSP X 7/8 JIC	22.00	34.80	12.70	14.73				2.51
2BJ/8-6	1/2 BSP X 9/16 JIC	27.00	38.86	15.24	12.19				1.49
2BJ/8	1/2 BSP X 3/4 JIC	27.00	38.61	15.24	13.21				1.49
2BJ/8-10	1/2 BSP X 7/8 JIC	27.00	41.40	15.24	14.73				2.51
2BJ/8-12	1/2 BSP X 1 1/16 JIC	27.00	42.67	15.24	16.00				3.22
2BJ/10-10	5/8 BSP X 7/8 JIC	30.00	41.65	16.00	14.73				3.22
2BJ/12-8	3/4 BSP X 3/4 JIC	32.00	42.00	17.00	13.21				3.50
2BJ/12-10	3/4 BSP X 7/8 JIC	32.00	43.00	17.00	14.73				3.50
2BJ/12	3/4 BSP X 1 1/16 JIC	32.00	45.00	17.00	16.00				4.10
2BJ/12-14	3/4 BSP X 1 3/16 JIC	32.00	46.00	17.00	17.53				5.24
2BJ/12-16	3/4 BSP X 1 5/16 JIC	32.00	46.00	17.00	17.53				5.24
2BJ/16-12	1 BSP X 1 1/16 JIC	41.00	45.50	19.05	16.00				7.47
2BJ/16	1 BSP X 1 5/16 JIC	41.00	53.09	19.05	17.53				7.47
2BJ/16-20	1 BSP X 1 5/8 JIC	41.00	53.09	19.05	17.53				9.99
2BJ/20	1 1/4 BSP X 1 5/8 JIC	50.00	52.70	20.32	17.53				9.99
2BJ/24	1 1/2 BSP X 1 7/8 JIC	55.00	56.64	22.86	17.53				14.70
2BJ-32	2 BSP X 2 1/2 JIC	70.00	63.00	26.00	20.70				22.50

Further information on other sizes is available on request and all dimensions are in millimetres

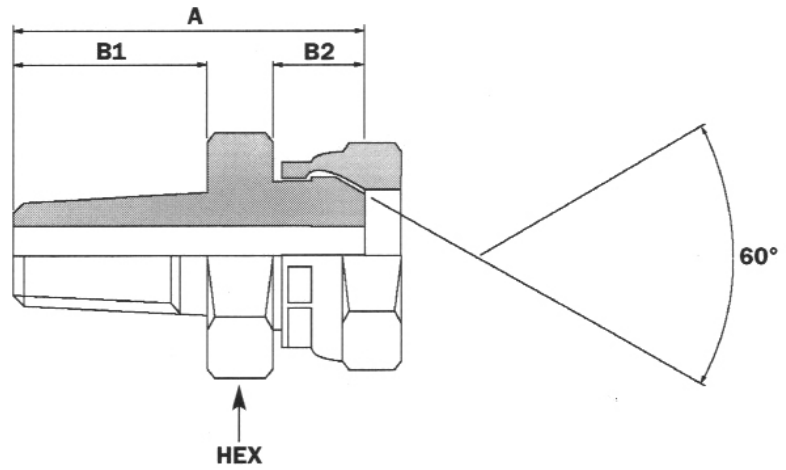
# BSP MALE X ORFS FEMALE TO DIN 3852 FORM A



PART NUMBER	DESCRIPTION	HEX	A	B1	B2	C1	C2	C3	£ PRICE
2BOR/2-9	1/8 BSP X 9/16 ORFS	19.00	29.00	10.16	11.42				2.80
2BOR/4-9	1/4 BSP X 9/16 ORFS	19.00	30.42	11.00	11.42				2.50
2BOR/4-11	1/4 BSP X 11/16 ORFS	19.00	29.00	11.00	10.00				2.50
2BOR/6-11	3/8 BSP X 11/16 ORFS	22.00	31.42	12.70	10.00				2.50
2BOR/6-13	3/8 BSP X 13/16 ORFS	22.00	30.72	12.70	11.42				2.78
2BOR/8-11	1/2 BSP X 11/16 ORFS	27.00	35.40	15.24	10.00				2.78
2BOR/8-13	1/2 BSP X 13/16 ORFS	27.00	36.82	15.24	11.42				3.20
2BOR/8-16	1/2 BSP X 1 ORFS	27.00	36.82	15.24	11.42				3.20
2BOR/8-19	1/2 BSP X 1 3/16 ORFS	32.00	38.10	15.24	12.70				5.17
2BOR/8-27	1/2 BSP X 1 11/16 ORFS	50.00	43.18	15.24	17.78				20.15
2BOR/12-19	3/4 BSP X 1 3/16 ORFS	32.00	41.00	17.00	12.70				5.18
2BOR/16-19	1 BSP X 1 3/16 ORFS	41.00	44.07	19.05	12.70				8.47
2BOR/20-27	1 1/4 BSP X 1 11/16 ORFS	50.00	58.41	20.32	17.78				13.23

Further information on other sizes is available on request and all dimensions are in millimetres

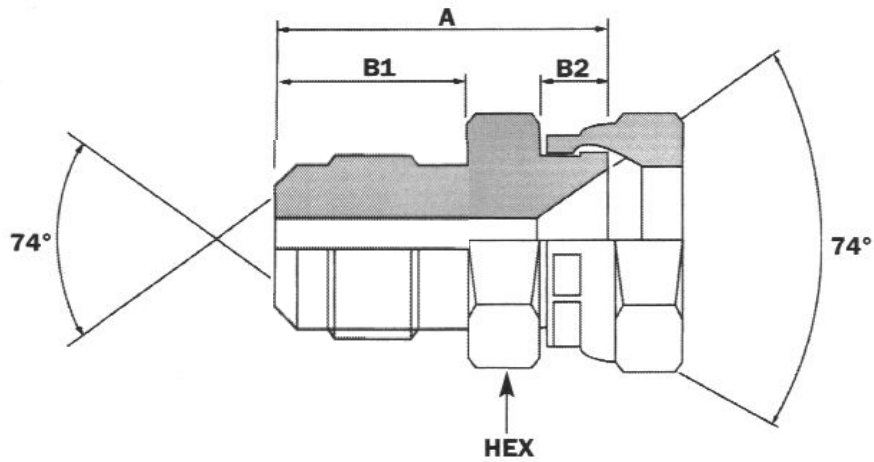
## BSPT MALE X BSP SWIVEL FEMALE



PART NUMBER	DESCRIPTION	HEX	A	B1	B2	C1	C2	C3	£ PRICE
2TB/4	1/4 BSPT X 1/4 BSP	14.00	36.00	16.15	11.94				2.30
2TB/6	3/8 BSPT X 3/8 BSP	19.00	40.00	17.15	13.21				2.30
2TB/6-8	3/8 BSPT X 1/2 BSP	19.00	41.00	17.15	14.22				2.88
2TB/8-6	1/2 BSPT X 3/8BSP	22.00	45.00	21.59	13.21				2.88
2TB/8	1/2 BSPT X 1/2 BSP	22.00	46.50	21.59	14.22				2.88
2TB/12	3/4 BSPT X 3/4 BSP	27.00	47.00	22.10	14.73				3.70
2TB/16	1 BSPT X 1 BSP	38.00	56.50	27.94	16.76				5.91
2TB/20	1 1/4 BSPT X 1 1/4 BSP	46.00	60.00	29.71	17.52				15.17

Further information on other sizes is available on request and all dimensions are in millimetres

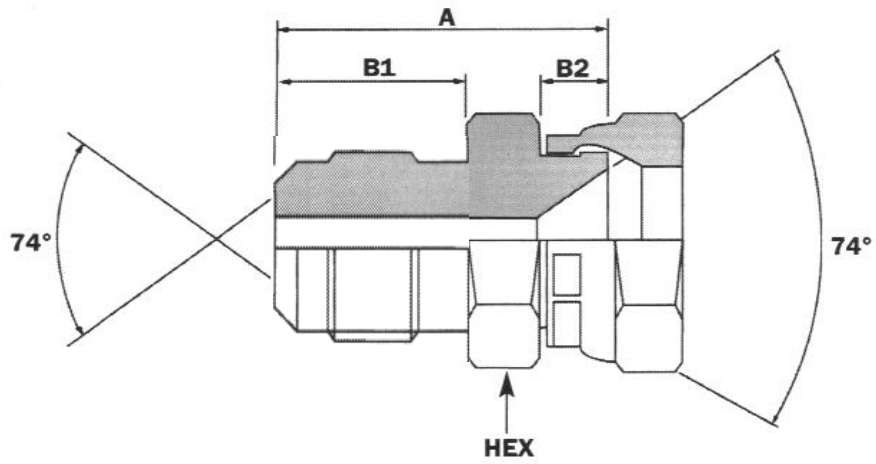
# JIC MALE X JIC SWIVEL FEMALE



PART NUMBER	DESCRIPTION	HEX	A	B1	B2	C1	C2	C3	£ PRICE
2J/4	7/16 JIC X 7/16 JIC	14.00	31.74	13.97	12.19				2.39
2J/4-5	7/16 JIC X 1/2 JIC	14.00	30.48	13.97	12.19				2.39
2J/4-6	7/16 JIC X 9/16 JIC	14.00	31.74	13.97	12.19				2.39
2J/4-8	7/16 JIC X 3/4 JIC	19.00	33.53	13.97	13.21				2.80
2J/4-10	7/16 JIC X 7/8 JIC	22.00	34.90	15.97	14.73				3.10
2J/4-12	7/16 JIC X 1 1/16 JIC	27.00	37.00	13.97	16.00				8.44
2J/5-4	1/2 JIC X 7/16 JIC	14.00	30.48	13.97	12.19				2.39
2J/5	1/2 JIC X 1/2 JIC	14.00	31.74	13.97	12.19				2.39
2J/5-6	1/2 JIC X 9/16 JIC	19.00	32.51	13.97	12.19				2.39
2J/5-8	1/2 JIC X 3/4 JIC	19.00	33.53	13.97	13.21				2.39
2J/5-12	1/2 JIC X 1 1/16 JIC	27.00	37.00	13.97	16.00				8.44
2J/6-4	9/16 JIC X 7/16 JIC	19.00	32.76	14.22	12.19				2.39
2J/6-5	9/16 JIC X 1/2 JIC	19.00	31.60	14.22	12.19				2.39
2J/6	9/16 JIC X 9/16 JIC	19.00	32.76	14.22	12.19				2.39
2J/6-8	9/16 X 3/4 JIC	19.00	33.30	14.22	13.21				2.39
2J/6-10	9/16 JIC X 7/8 JIC	19.00	35.30	14.22	14.73				3.10
2J/6-12	9/16 JIC X 1 1/16 JIC	27.00	37.00	13.97	16.00				6.20
2J/8-6	3/4 JIC X 9/16 JIC	22.00	35.30	16.76	12.19				2.39
2J/8	3/4 JIC X 3/4 JIC	22.00	37.00	16.76	14.48				2.39
2J/8-10	3/4 JIC X 7/8 JIC	22.00	38.60	16.76	14.73				3.10
2J/8-12	3/4 JIC X 1 1/16 JIC	22.00	41.41	16.76	16.00				4.10
2J/8-16	3/4 JIC X 1 5/16 JIC	32.00	41.91	16.76	16.00				7.07
2J/10-8	7/8 JIC X 3/4 JIC	25.40	41.65	19.30	14.48				3.10
2J/10	7/8 JIC X 7/8 JIC	25.40	41.90	19.30	14.73				3.10
2J/10-12	7/8 JIC X 1 1/16 JIC	27.00	44.95	19.30	16.00				4.10
2J/10-16	7/8 JIC X 1 5/16 JIC	38.00	41.20	19.30	15.49				7.20
2J/12-8	1 1/16 JIC X 3/4 JIC	27.00	44.70	21.84	13.21				4.55
2J/12-10	1 1/16 JIC X 7/8 JIC	32.00	46.22	21.84	14.73				4.55
2J/12	1 1/16 JIC X 1 5/16 JIC	27.00	47.49	21.84	16.00				4.55
2J/12-16	1 1/16 JIC X 1 5/16 JIC	32.00	48.00	21.84	15.49				7.07
2J/12-20	1 1/16 JIC X 1 5/8 JIC	41.00	56.00	21.84	16.23				11.22
2J/12-24	1 1/16 JIC X 1 7/8 JIC	50.00	52.57	21.84	17.27				15.89
2J/14	1 3/16 JIC X 1 3/16 JIC	32.00	43.78	22.60	17.53				4.99
2J/16-12	1 5/16 JIC X 1 1/16 JIC	38.00	48.76	23.11	16.00				7.20
2J/16	1 5/16 JIC X 1 5/16 JIC	38.00	48.25	23.11	16.00				7.20
2J/16-20	1 5/16 JIC X 1 5/8 JIC	38.00	52.04	23.11	16.23				11.22

Further information on other sizes is available on request and all dimensions are in millimetres

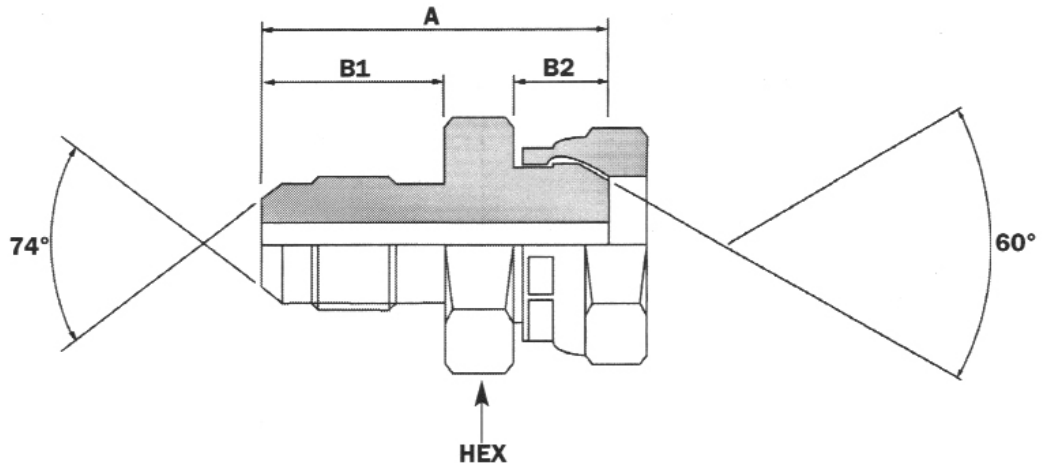
## JIC MALE X JIC SWIVEL FEMALE – continued



PART NUMBER	DESCRIPTION	HEX	A	B1	B2	C1	C2	C3	£ PRICE
2J/16-24	1 5/16 JIC X 1 7/8 JIC	50.00	55.24	23.11	17.27				11.22
2J/20-16	1 1/16 JIC X 1 5/16 JIC	46.00	52.57	24.38	15.49				14.90
2J/20	1 5/8 JIC X 1 5/8 JIC	46.00	53.31	24.38	16.23				11.22
2J/20-24	1 5/8 JIC X 1 7/8 JIC	46.00	56.89	24.38	17.27				15.89
2J/24	1 7/8 JIC X 1 7/8 JIC	50.00	59.94	27.43	17.27				15.89
2J/24-32	1 7/8 JIC X 2 1/2 JIC	70.00	64.77	27.43	20.70				29.55
2J/32-24	2 1/2 JIC X 1 7/8 JIC	70.00	70.00	33.78	20.70				29.55
2J/32-32	2 1/2 JIC X 2 1/2 JIC	70.00	72.00	33.78	20.70				29.55

Further information on other sizes is available on request and all dimensions are in millimetres

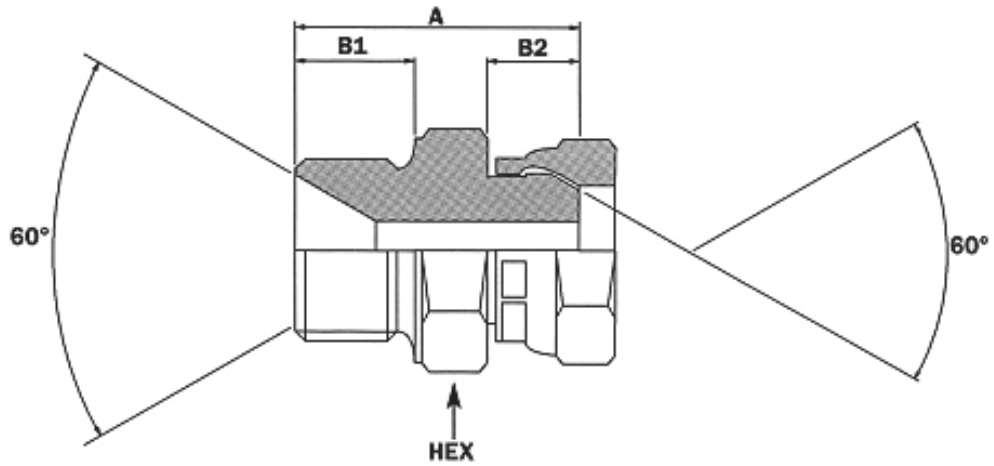
# JIC MALE X BSP SWIVEL FEMALE



PART NUMBER	DESCRIPTION	HEX	A	B1	B2	C1	C2	C3	£ PRICE
2JB/4-2	7/16 JIC X 1/8 BSP	14.00	31.23	13.97	11.68				2.09
2JB/4	7/16 JIC X 1/4 BSP	14.00	31.49	13.97	11.94				2.09
2JB/4-6	7/16 JIC X 3/8 BSP	19.00	33.53	13.97	13.21				2.09
2JB/5-4	1/2 JIC X 1/4 BSP	14.00	32.26	13.97	11.94				2.09
2JB/5-6	1/2 JIC X 3/8 BSP	19.00	33.53	13.97	13.21				2.09
2JB/5-8	1/2 JIC X 1/2 BSP	19.00	34.54	13.97	14.22				2.51
2JB/6-4	9/16 JIC X 1/4 BSP	19.00	32.51	14.22	11.94				2.09
2JB/6	9/16 JIC X 3/8 BSP	19.00	33.78	14.22	13.21				2.09
2JB/6-8	9/16 JIC X 1/2 BSP	19.00	34.79	14.22	14.22				2.09
2JB/8-6	3/4 JIC X 3/8 BSP	19.00	36.32	16.76	13.21				2.20
2JB/8	3/4 JIC X 1/2 BSP	19.00	37.33	16.76	14.22				2.40
2JB/8-12	3/4 JIC X 3/4 BSP	27.00	42.60	16.76	14.73				3.77
2JB/10-6	7/8 JIC X 3/8 BSP	27.00	41.50	19.30	13.21				2.40
2JB/10-8	7/8 JIC X 1/2 BSP	27.00	41.39	19.30	14.22				2.40
2JB/10-12	7/8 JIC X 3/4 BSP	27.00	41.90	19.30	14.73				3.81
2JB/12	1 1/16 JIC X 3/4 BSP	27.00	46.50	21.84	14.73				3.81
2JB/12-16	1 1/16 JIC X 1 BSP	32.00	48.25	21.84	16.76				5.94
2JB/14-12	1 3/16 JIC X 3/4 BSP	32.00	47.00	22.60	14.73				5.94
2JB/16-12	1 5/16 JIC X 3/4 BSP	38.00	47.49	23.11	14.73				5.94
2JB/16	1 5/16 JIC X 1 BSP	38.00	49.52	23.11	16.76				5.94
2JB/20	1 5/8 JIC X 1 1/4 BSP	46.00	54.00	24.38	18.03				12.88

Further information on other sizes is available on request and all dimensions are in millimetres

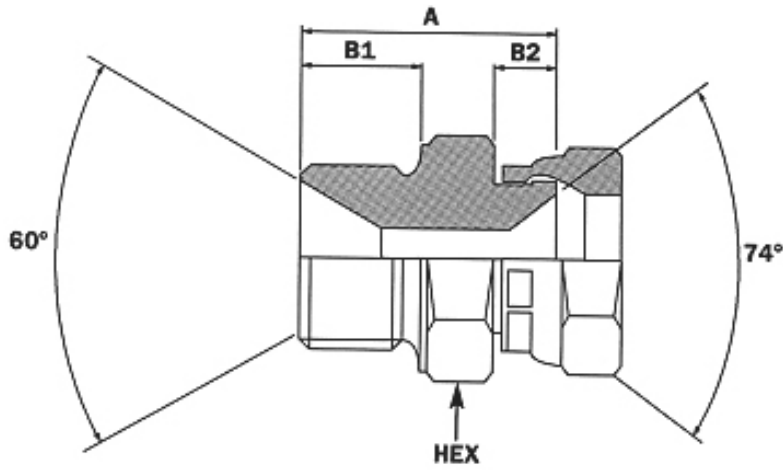
# METRIC MALE 1.5 PITCH X BSP SWIVEL FEMALE



PART NUMBER	DESCRIPTION	HEX	A	B1	B2	C1	C2	C3	£ PRICE
2MB/12-4	12 MM X 1/4 BSP	19.00	30.00	11.00	11.94				2.20
2MB/12-6	12 MM X 3/8 BSP	19.00	31.00	11.00	13.21				2.30
2MB/14-4	14 MM X 1/4 BSP	19.00	30.00	11.00	11.94				2.20
2MB/14-6	14 MM X 3/8 BSP	19.00	31.00	11.00	13.21				2.20
2MB/14-8	14 MM X 1/2 BSP	19.00	32.00	12.70	14.22				2.20
2MB/16-4	16 MM X 1/4 BSP	22.00	32.00	12.70	11.94				2.20
2MB/16-6	16 MM X 3/8 BSP	22.00	33.27	12.70	13.21				2.20
2MB/16-8	16 MM X 1/2 BSP	22.00	34.29	12.70	14.22				2.30
2MB/18-6	18 MM X 3/8 BSP	22.00	33.27	12.70	13.21				2.30
2MB/18-8	18 MM X 1/2 BSP	22.00	34.29	15.24	14.22				2.30
2MB/20-6	20 MM X 3/8 BSP	27.00	38.61	15.24	13.21				2.50
2MB/20-8	20 MM X 1/2 BSP	27.00	39.62	15.24	14.22				2.50
2MB/20-12	20 MM X 3/4 BSP	27.00	40.13	15.24	14.73				2.60
2MB/22-6	22 MM X 3/8 BSP	27.00	33.61	15.24	13.21				2.90
2MB/22-8	22 MM X 1/2 BSP	27.00	39.62	15.24	14.22				2.90
2MB/22-12	22 MM X 3/4 BSP	27.00	40.13	17.00	14.73				2.90
2MB/24-8	24 MM X 1/2 BSP	30.00	42.00	17.00	14.22				2.90
2MB/26-8	26 MM X 1/2 BSP	32.00	42.00	17.00	14.22				3.95
2MB/26-12	26 MM X 3/4 BSP	32.00	43.00	17.00	14.73				3.95

Further information on other sizes is available on request and all dimensions are in millimetres

# METRIC MALE 1.5 PITCH X JIC FEMALE

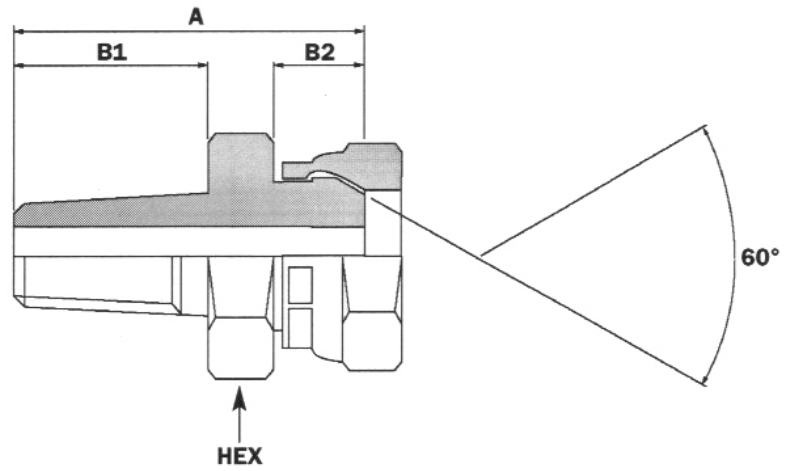


PART NUMBER	DESCRIPTION	HEX	A	B1	B2	C1	C2	C3	£ PRICE
2MJ/12-4	12 MM X 7/16 JIC	19.00	30.00	11.00	12.19				3.20
2MJ/12-5	12 MM X 1/2 JIC	19.00	30.00	11.00	12.19				3.20
2MJ/14-6	14 MM X 9/16 JIC	19.00	30.00	11.00	12.19				3.20
2MJ/16-6	16 MM X 9/16 JIC	22.00	32.26	12.70	12.19				3.50
2MJ/16-8	16 MM X 3/4 JIC	22.00	33.38	12.70	14.48				3.50
2MJ/16-10	16 MM X 7/8 JIC	22.00	34.80	12.70	14.73				3.60
2MJ/18-6	18 MM X 9/16 JIC	22.00	32.26	12.70	12.19				3.60
2MJ/18-8	18 MM X 3/4 JIC	22.00	33.38	12.70	14.48				3.60
2MJ/18-10	18 MM X 7/8 JIC	22.00	34.80	12.70	14.73				3.60
2MJ/20-6	20 MM X 9/16 JIC	27.00	38.86	15.24	12.19				3.60
2MJ/20-8	20 MM X 3/4 JIC	27.00	39.61	15.24	14.48				3.90
2MJ/20-10	20 MM X 7/8 JIC	27.00	41.40	15.24	14.73				3.90
2MJ/22-6	22 MM X 9/16 JIC	27.00	38.86	15.24	12.19				3.60
2MJ/22-8	22 MM X 3/4 JIC	27.00	39.61	15.24	14.21				3.60
2MJ/22-10	22 MM X 7/8 JIC	27.00	41.40	15.24	14.73				3.60
2MJ/24-10	24 MM X 7/8 JIC	32.00	43.00	16.00	14.73				3.90
2MJ/26-12	26 MM X 1 1/16 JIC	32.00	45.00	17.00	16.00				3.90

Further information on other sizes is available on request and all dimensions are in millimetres



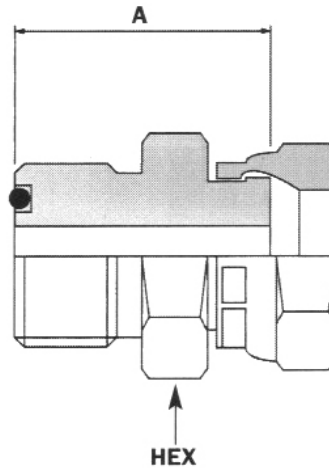
## NPTF MALE X BSP SWIVEL FEMALE



PART NUMBER	DESCRIPTION	HEX	A	B1	B2	C1	C2	C3	£ PRICE
2NB/4	1/4 NPTF X 1/4 BSP	14.00	33.70	14.22	11.94				2.10
2NB/4-6	1/4 NPTF X 3/8 BSP	19.00	41.66	14.22	13.21				2.10
2NB/6-4	3/8 NPTF X 1/4 BSP	19.00	39.12	14.22	11.94				2.10
2NB/6	3/8 NPTF X 3/8 BSP	19.00	42.16	14.22	13.21				2.10
2NB/6-8	3/8 NPTF X 1/2 BSP	19.00	43.69	14.22	14.22				2.68
2NB/8-6	1/2 NPTF X 3/8 BSP	22.00	49.53	19.05	13.21				2.68
2NB/8	1/2 NPTF X 1/2 BSP	22.00	42.50	19.05	14.22				2.68
2NB/12-8	3/4 NPTF X 1/2 BSP	27.00	51.05	19.05	14.22				4.09
2NB/12	3/4 NPTF X 3/4 BSP	27.00	56.64	19.05	14.73				4.09
2NB/12-16	3/4 NPTF X 1 BSP	32.00	58.67	19.05	16.76				6.10
2NB/16-12	1 NPTF X 3/4 BSP	38.00	47.75	23.88	14.73				6.10
2NB/16	1 NPTF X 1 BSP	38.00	50.80	23.88	16.76				6.10

Further information on other sizes is available on request and all dimensions are in millimetres

# ORFS MALE X ORFS FEMALE



PART NUMBER	DESCRIPTION	HEX	A	B1	B2	C1	C2	C3	£ PRICE
2OR/9-9	9/16 ORFS X 9/16 ORFS	19.00	22.00						3.11
2OR/11-9	11/16 ORFS X 9/16 ORFS	22.00	22.00						3.11
2OR/13-9	13/16 ORFS X 9/16 ORFS	27.00	23.00						6.10
2OR/16-13	1" ORFS X 13/16 ORFS	32.00	26.00						6.10
2OR/19-11	1 3/16 ORFS X 11/16 ORFS	38.00	26.00						7.50
2OR/19-13	1 3/16 ORFS X 13/16 ORFS	38.00	28.00						11.40
2OR/23-13	1 7/16 ORFS X 13/16 ORFS	41.00	29.50						11.40
2OR/23-16	1 7/16 ORFS X 1" ORFS	41.00	32.00						12.95
2OR/27-23	1 11/16 ORFS X 1 7/16 ORFS	50.00	33.50						12.95

Further information on other sizes is available on request and all dimensions are in millimetres

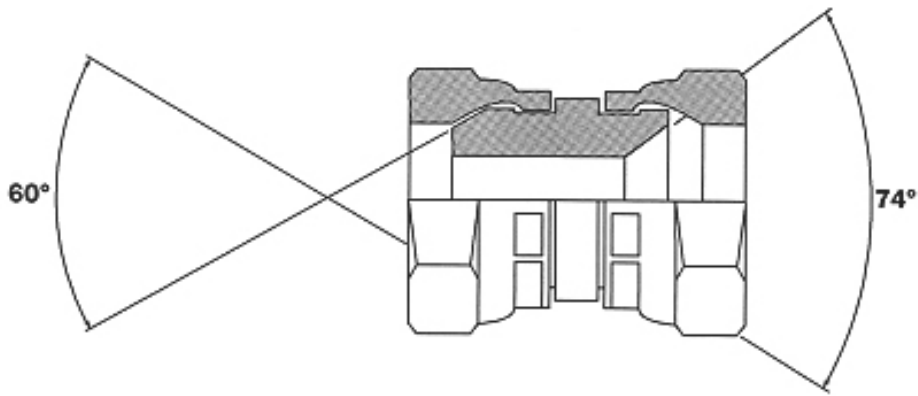
## BSP SWIVEL FEMALE X BSP SWIVEL FEMALE



PART NUMBER	DESCRIPTION	HEX	A	B1	B2	C1	C2	C3	£ PRICE
3B/2	1/8 BSP X 1/8 BSP								1.92
3B/2-4	1/8 BSP X 1/4 BSP								1.92
3B/4	1/4 BSP X 1/4 BSP								1.30
3B/4-6	1/4 BSP X 3/8 BSP								1.24
3B/4-8	1/4 BSP X 1/2 BSP								2.13
3B/4-12	1/4 BSP X 3/4 BSP								3.20
3B/6	3/8 BSP X 3/8 BSP								1.32
3B/6-8	3/8 BSP X 1/2 BSP								1.76
3B/6-12	3/8 BSP X 3/4 BSP								3.50
3B/8	1/2 BSP X 1/2 BSP								1.76
3B/8-10	1/2 BSP X 5/8 BSP								2.70
3B/8-12	1/2 BSP X 3/4 BSP								2.70
3B/8-16	1/2 BSP X 1 BSP								5.11
3B/10	5/8 BSP X 5/8 BSP								2.80
3B/10-12	5/8 BSP X 3/4 BSP								3.50
3B/12	3/4 BSP X 3/4 BSP								2.70
3B/12-16	3/4 BSP X 1 BSP								4.25
3B/16	1 BSP X 1 BSP								4.25
3B/16-20	1 BSP X 1 1/4 BSP								9.38
3B/20	1 1/4 BSP X 1 1/4 BSP								7.24
3B/24	1 1/2 BSP X 1 1/2 BSP								16.10
3B/32	2 BSP X 2 BSP								25.90

Further information on other sizes is available on request and all dimensions are in millimetres

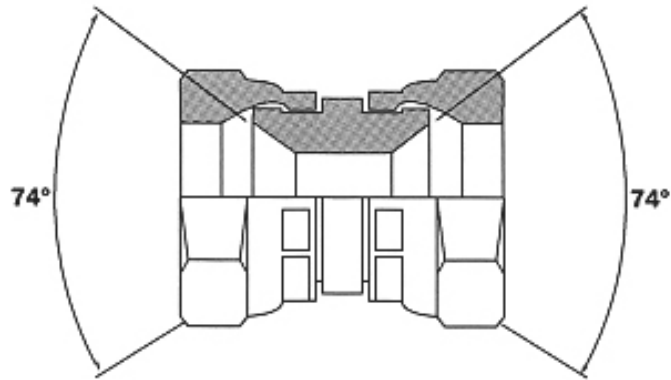
## BSP SWIVEL FEMALE X JIC SWIVEL FEMALE



PART NUMBER	DESCRIPTION	HEX	A	B1	B2	C1	C2	C3	£ PRICE
3BJ/4	1/4 BSP X 7/16 JIC								2.89
3BJ/4-5	1/4 BSP X 1/2 JIC								2.89
3BJ/4-6	1/4 BSP X 9/16 JIC								2.89
3BJ/6-4	3/8 BSP X 7/16 JIC								2.55
3BJ/6-5	3/8 BSP X 1/2 JIC								2.50
3BJ/6	3/8 BSP X 9/16 JIC								2.50
3BJ/6-8	3/8 BSP X 3/4 JIC								2.55
3BJ/8-6	1/2 BSP X 9/16 JIC								2.55
3BJ/8	1/2 BSP X 3/4 JIC								2.55
3BJ/8-10	1/2 BSP X 7/8 JIC								2.95
3BJ/12-8	3/4 BSP X 3/4 JIC								3.60
3BJ/12-10	3/4 BSP X 7/8 JIC								4.91
3BJ/12	3/4 BSP X 1 1/16 JIC								6.12
3BJ/12-16	3/4 BSP X 1 5/16 JIC								8.10
3BJ/16	1 BSP X 1 5/16 JIC								7.90
3BJ/16-20	1 BSP X 1 5/8 JIC								11.10
3BJ/20-16	1 1/4 BSP X 1 5/16 JIC								12.10
3BJ/20	1 1/4 BSP X 1 5/8 JIC								12.10

Further information on other sizes is available on request and all dimensions are in millimetres

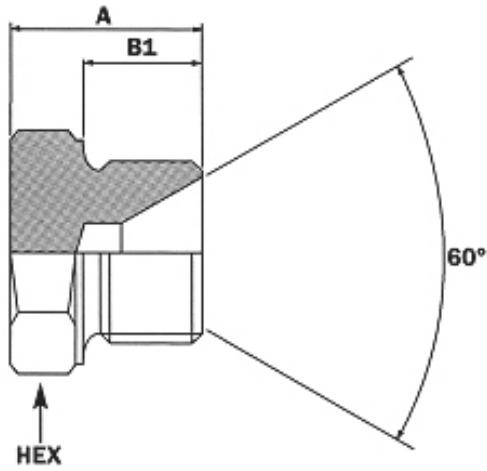
# JIC SWIVEL FEMALE X JIC SWIVEL FEMALE



PART NUMBER	DESCRIPTION	HEX	A	B1	B2	C1	C2	C3	£ PRICE
3J/4	7/16 JIC X 7/16 JIC								2.51
3J/4-5	7/16 JIC X 1/2 JIC								2.51
3J/4-6	7/16 JIC X 9/16 JIC								2.51
3J/5	1/2 JIC X 1/2 JIC								2.51
3J/5-6	1/2 JIC X 9/16 JIC								2.51
3J/6	9/16 JIC X 9/16 JIC								2.51
3J/6-8	9/16 JIC X 3/4 JIC								2.51
3J/8	3/4 JIC X 3/4 JIC								2.60
3J/8-10	3/4 JIC X 7/8 JIC								3.22
3J/8-12	3/4 JIC X 1 1/16 JIC								6.14
3J/10	7/8 JIC X 7/8 JIC								2.60
3J/10-12	7/8 JIC X 1 1/16 JIC								6.14
3J/12	1 1/16 JIC X 1 1/16 JIC								7.56
3J/12-14	1 3/16 JIC X 1 3/16 JIC								7.56
3J/12-16	1 1/16 JIC X 1 5/16 JIC								7.56
3J/16	1 5/16 JIC X 1 5/16 JIC								7.56
3J/16-20	1 5/16 JIC X 1 5/8 JIC								15.00
3J/20	1 5/8 JIC X 1 5/8 JIC								20.25
3J/24	1 7/8 JIC X 1 7/8 JIC								20.25

Further information on other sizes is available on request and all dimensions are in millimetres

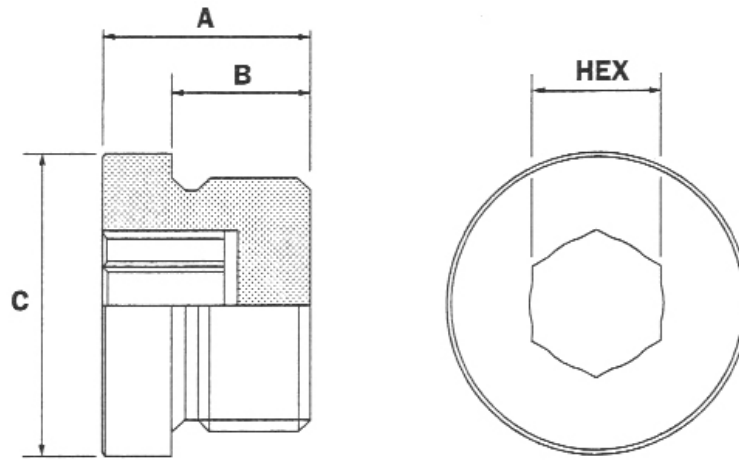
# BSP BLANKING PLUGS TO DIN 3852 FORM A



PART NUMBER	DESCRIPTION	HEX	A	B1	B2	C1	C2	C3	£ PRICE
4B/2	1/8 BSP	14.00	17.27	10.16					0.60
4B/4	1/4 BSP	19.00	17.27	11.00					0.40
4B/6	3/8 BSP	22.00	20.00	12.70					0.52
4B/8	1/2 BSP	27.00	25.00	15.24					0.73
4B/10	5/8 BSP	30.00	24.00	16.00					1.54
4B/12	3/4 BSP	32.00	26.00	17.00					1.24
4B/16	1 BSP	41.00	32.30	19.05					2.65
4B/20	1 1/4 BSP	50.00	33.90	20.32					3.95
4B/24	1 1/2 BSP	55.00	38.60	22.86					5.90
4B/32	2 BSP	70.00	45.10	26.00					10.24
4B/40	2 1/2 BSP	82.55	48.00	28.00					38.00
4B/48	3 BSP	100.00	48.00	28.00					55.00

Further information on other sizes is available on request and all dimensions are in millimetres

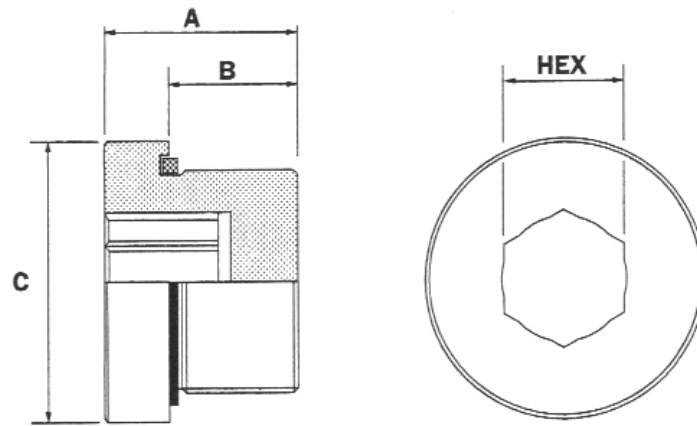
## BSP BLANKING PLUG WITH HEXAGONAL SOCKET



PART NUMBER	DESCRIPTION	HEX	A	B1	B2	C1	C2	C3	£ PRICE
4BH/2	1/8 BSP	5.00	12.00	8.00		14.00			0.61
4BH/4	1/4 BSP	6.00	17.00	12.00		19.00			0.72
4BH/6	3/8 BSP	8.00	17.00	12.00		22.00			0.81
4BH/8	1/2 BSP	10.00	19.00	14.00		27.00			1.14
4BH/10	5/8 BSP	10.00	21.00	16.00		29.00			1.63
4BH/12	3/4 BSP	12.00	21.00	16.00		32.00			1.63
4BH/16	1" BSP	17.00	22.50	16.00		40.00			2.76
4BH/20	1 1/4 BSP	22.00	22.50	16.00		50.00			7.30
4BH/24	1 1/2 BSP	24.00	22.50	16.00		55.00			11.90
4BH/32	2 BSP	24.00	22.50	16.00		70.00			23.00

Further information on other sizes is available on request and all dimensions are in millimetres

# BSP BLANKING PLUG C/W HEXAGONAL SOCKET AND ELASTOMER SEAL

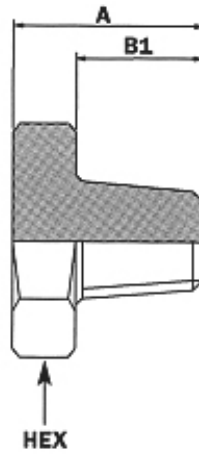


PART NUMBER	DESCRIPTION	HEX	A	B1	B2	C1	C2	C3	£ PRICE
4BHE/2	1/8 BSP	5.00	12.00	8.00		14.00			0.69
4BHE/4	1/4 BSP	6.00	17.00	12.00		19.00			0.69
4BHE/6	3/8 BSP	8.00	17.00	12.00		22.00			0.82
4BHE/8	1/2 BSP	10.00	19.00	14.00		27.00			1.20
4BHE/12	3/4 BSP	12.00	21.00	16.00		32.00			1.40
4BHE/16	1 BSP	17.00	22.50	16.00		40.00			4.10
4BHE/20	1 1/4 BSP	22.00	22.50	16.00		50.00			8.30
4BHE/24	1 1/2 BSP	24.00	22.50	16.00		55.00			12.40

Further information on other sizes is available on request and all dimensions are in millimetres



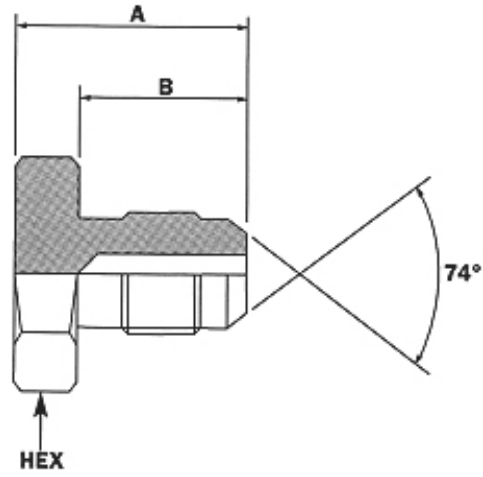
# BSPT BLANKING PLUG



PART NUMBER	DESCRIPTION	HEX	A	B1	B2	C1	C2	C3	£ PRICE
4T/2	1/8 BSPT	14.00	17.80	11.18					0.60
4T/4	1/4 BSPT	14.00	22.86	16.51					0.60
4T/6	3/8 BSPT	19.00	22.86	17.27					0.85
4T/8	1/2 BSPT	22.00	29.21	21.59					1.11
4T/10	5/8 BSPT	27.00	32.00	21.84					2.00
4T/12	3/4 BSPT	27.00	30.48	22.10					2.00
4T/16	1 BSPT	38.00	38.10	27.94					3.12
4T/20	1 1/4 BSPT	46.00	39.37	29.46					6.93
4T/24	1 1/2 BSPT	50.00	43.18	29.72					9.55
4T/32	2 BSPT	70.00	45.72	30.48					14.20
4T/40	2 1/2 BSPT	82.55	50.00	32.50					68.00
4T/48	3 BSPT	82.55	52.00	38.00					95.00

Further information on other sizes is available on request and all dimensions are in millimetres

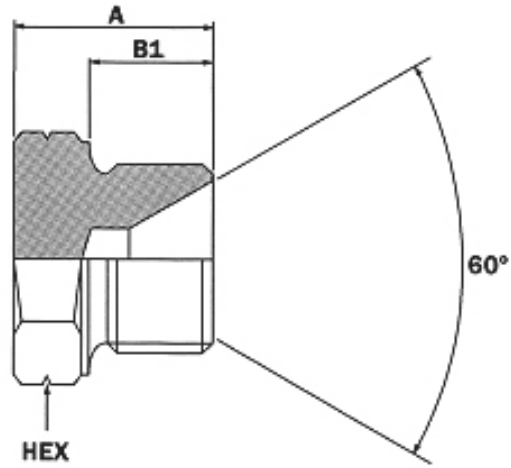
# JIC BLANKING PLUGS



PART NUMBER	DESCRIPTION	HEX	A	B1	B2	C1	C2	C3	£ PRICE
4J/4	7/16 JIC	14.00	19.60	14.00					0.95
4J/5	1/2 JIC	14.00	19.60	14.00					1.05
4J/6	9/16 JIC	19.00	19.60	14.00					1.21
4J/8	3/4 JIC	22.00	23.00	16.70					1.21
4J/10	7/8 JIC	25.40	27.20	19.25					1.39
4J/12	1 1/16 JIC	27.00	31.70	22.00					2.10
4J/14	1 3/16 JIC	32.00	32.10	22.60					2.88
4J/16	1 5/16 JIC	38.00	33.00	23.20					4.10
4J/20	1 5/8 JIC	46.00	36.20	24.50					6.55
4J/24	1 7/8 JIC	50.00	41.00	27.50					9.11
4J/32	2 1/2 JIC	70.00	47.40	33.90					14.50

Further information on other sizes is available on request and all dimensions are in millimetres

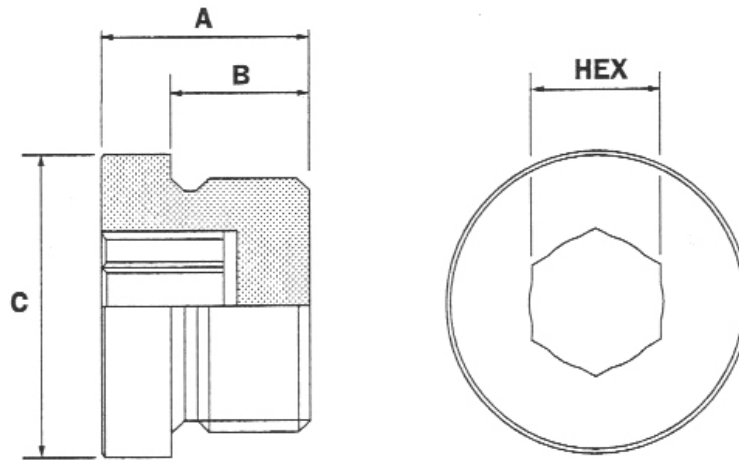
# METRIC BLANKING PLUGS



PART NUMBER	DESCRIPTION	HEX	A	B1	B2	C1	C2	C3	£ PRICE
4M/10	10 X 1 MM	14.00	17.27	10.00					0.90
4M/12	12 X 1.5 MM	19.00	17.27	10.00					0.95
4M/14	14 X 1.5 MM	19.00	18.00	11.00					1.05
4M/16	16 X 1.5 MM	22.00	20.07	12.70					1.20
4M/18	18 X 1.5 MM	22.00	20.07	12.70					1.26
4M/20	20 X1.5 MM	27.00	24.13	15.24					1.41
4M/22	22 X1.5 MM	27.00	25.30	15.24					1.41
4M/24	24 X1.5 MM	32.00	26.80	16.00					1.77
4M/26	26 X1.5 MM	32.00	28.00	16.00					1.85

Further information on other sizes is available on request and all dimensions are in millimetres

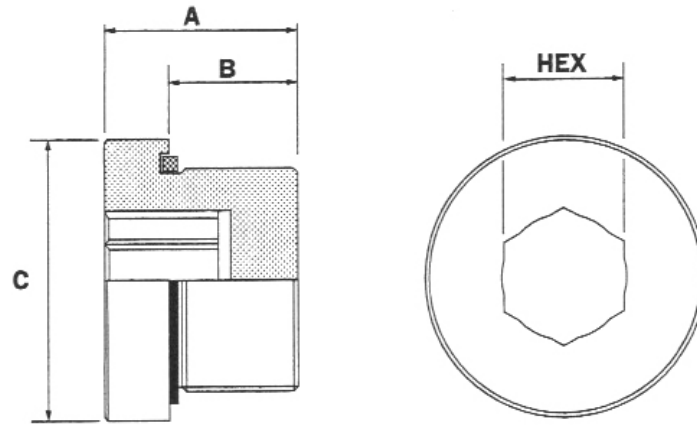
# METRIC BLANKING PLUG C/W HEXAGONAL SOCKET



PART NUMBER	DESCRIPTION	HEX	A	B1	B2	C1	C2	C3	£ PRICE
4MH/10	10 X 1 MM	5.00	12.00	8.00		14.00			0.75
4MH/12	12 X 1.5 MM	6.00	17.00	12.00		17.00			0.78
4MH/14	14 X 1.5 MM	6.00	17.00	12.00		19.00			0.78
4MH/16	16 X 1.5 MM	8.00	17.00	12.00		22.00			0.88
4MH/18	18 X 1.5 MM	8.00	17.00	12.00		24.00			0.88
4MH/20	20 X 1.5 MM	10.00	19.00	14.00		27.00			1.21
4MH/22	22 X 1.5 MM	10.00	19.00	14.00		27.00			1.30
4MH/24	24 X 1.5 MM	12.00	21.00	16.00		30.00			1.49
4MH/26	26 X 2 MM	12.00	21.00	16.00		32.00			1.49
4MH/27	27 X 2 MM	12.00	21.00	16.00		32.00			1.49
4MH/33	33 X 2 MM	17.00	22.50	16.00		40.00			4.55
4MH/42	42 X 2 MM	22.00	22.50	16.00		50.00			8.30
4MH/48	48 X 2 MM	24.00	22.50	16.00		55.00			12.40

Further information on other sizes is available on request and all dimensions are in millimetres

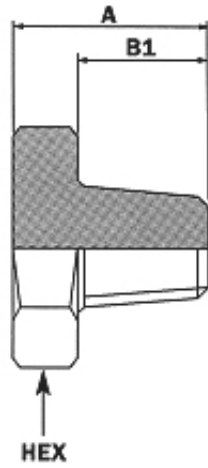
# METRIC BLANKING PLUG C/W HEXAGONAL SOCKET AND ELASTOMER SEAL



PART NUMBER	DESCRIPTION	HEX	A	B1	B2	C1	C2	C3	£ PRICE
4MHE/10	10 X 1 MM	5.00	12.00	8.00		14.00			0.83
4MHE/12	12 X 1.5 MM	6.00	17.00	12.00		17.00			0.97
4MHE/14	14 X 1.5 MM	6.00	17.00	12.00		19.00			1.16
4MHE/16	16 X 1.5 MM	8.00	17.00	12.00		22.00			1.22
4MHE/18	18 X 1.5 MM	8.00	17.00	12.00		24.00			1.28
4MHE/20	20 X 1.5 MM	10.00	19.00	14.00		27.00			1.62
4MHE/22	22 X 1.5 MM	10.00	19.00	14.00		27.00			1.62
4MHE/26	26 X 2 MM	12.00	21.00	16.00		32.00			1.84
4MHE/27	27 X 2 MM	12.00	21.00	16.00		32.00			1.84
4MHE/33	33 X 2 MM	17.00	22.50	16.00		40.00			5.35
4MHE/42	42 X 2 MM	22.00	22.50	16.00		50.00			8.95
4MHE/48	48 X 2 MM	24.00	22.50	16.00		55.00			13.25

Further information on other sizes is available on request and all dimensions are in millimetres

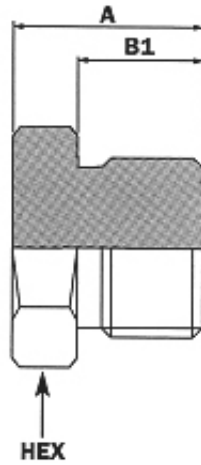
# NPTF BLANKING PLUG



PART NUMBER	DESCRIPTION	HEX	A	B1	B2	C1	C2	C3	£ PRICE
4N/2	1/8 NPTF	14.00	15.24	9.65					0.60
4N/4	1/4 NPTF	14.00	21.59	14.22					0.60
4N/6	3/8 NPTF	19.00	21.59	14.22					0.85
4N/8	1/2 NPTF	22.00	27.94	19.05					1.11
4N/12	3/4 NPTF	27.00	30.00	19.05					2.00
4N/16	1 NPTF	38.00	34.54	23.88					3.10
4N/20	1 1/4 NPTF	46.00	37.34	24.64					7.94
4N/24	1 1/2 NPTF	50.00	39.37	25.40					9.54
4N/32	2 NPTF	70.00	41.40	26.16					14.90
4N/40	2 1/2 NPTF	82.55	59.00	39.00					68.00
4N/48	3 NPTF	82.55	61.00	41.00					68.00

Further information on other sizes is available on request and all dimensions are in millimetres

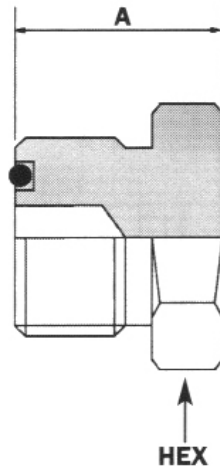
# SAE O RING BLANKING PLUG C/W O RING



PART NUMBER	DESCRIPTION	HEX	A	B1	B2	C1	C2	C3	£ PRICE
40/4	7/16 SAE	14.00	16.76	9.14					0.90
40/5	1/2 SAE	19.00	16.76	9.14					0.90
40/6	9/16 SAE	19.00	18.54	10.67					0.90
40/8	3/4 SAE	22.00	21.30	11.68					1.22
40/10	7/8 SAE	25.40	23.62	13.21					1.51
40/12	1 1/16 SAE	32.00	27.69	15.75					1.93
40/14	1 3/16 SAE	32.00	27.69	15.75					2.90
40/16	1 5/16 SAE	38.00	27.69	15.75					3.93
40/20	1 5/8 SAE	41.00	27.69	15.75					7.55
40/24	1 7/8 SAE	50.00	40.00	15.75					9.80

Further information on other sizes is available on request and all dimensions are in millimetres

# ORFS MALE BLANKING PLUG

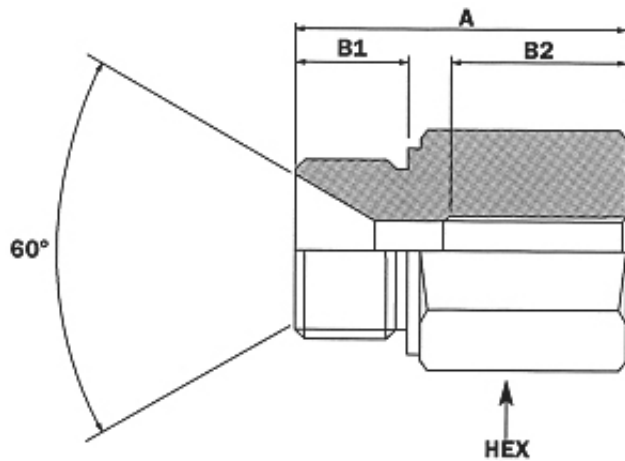


PART NUMBER	DESCRIPTION	HEX	A	B1	B2	C1	C2	C3	£ PRICE
4OR/09	9/16 ORFS	19.00	16.50						1.41
4OR/11	11/16 ORFS	19.00	19.00						1.45
4OR/13	13/16 ORFS	22.00	22.00						1.70
4OR/16	1" ORFS	27.00	26.00						2.51
4OR/19	1 3/16 ORFS	32.00	27.50						2.60
4OR/23	1 7/16 ORFS	38.00	28.00						3.52
4OR/27	1 11/16 ORFS	50.00	28.00						5.11
4OR/32	2" ORFS	55.00	28.00						9.44

Further information on other sizes is available on request and all dimensions are in millimetres



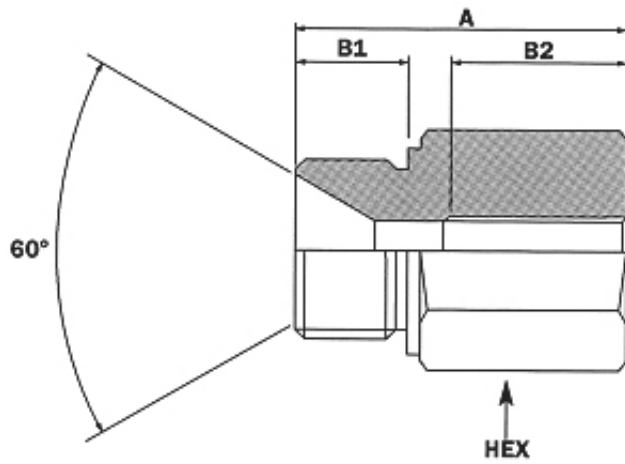
# BSP MALE X BSP FIXED FEMALE BUSH TO DIN 3852 FORM A



PART NUMBER	DESCRIPTION	HEX	A	B1	B2	C1	C2	C3	£ PRICE
5B/2	1/8 BSP X 1/8 BSP	14.00	27.00	10.16	11.43				1.70
5B/2-4	1/8 BSP X 1/4 BSP	19.00	28.00	10.16	11.43				1.70
5B/2-6	1/8 BSP X 3/8 BSP	22.00	30.00	10.16	13.97				3.20
5B/4-2	1/4 BSP X 1/8 BSP	19.00	28.00	14.00	11.43				1.20
5B/4	1/4 BSP X 1/4 BSP	19.00	30.00	11.00	11.43				1.20
5B/4-6	1/4 BSP X 3/8 BSP	22.00	34.00	11.00	13.97				1.48
5B/4-8	1/4 BSP X 1/2 BSP	27.00	36.00	11.00	16.51				2.11
5B/6-2	3/8 BSP X 1/8 BSP	22.00	21.60	12.70	11.43				2.01
5B/6-4	3/8 BSP X 1/4 BSP	22.00	32.00	12.70	11.43				1.36
5B/6	3/8 BSP X 3/8 BSP	22.00	34.00	12.70	13.97				1.59
5B/6-8	3/8 BSP X 1/2 BSP	27.00	38.00	12.70	16.51				1.81
5B/6-12	3/8 BSP X 3/4 BSP	32.00	42.50	12.70	17.00				4.48
5B/8-2	1/2 BSP X 1/8 BSP	27.00	25.00	15.24	11.43				2.11
5B/8-4	1/2 BSP X 1/4 BSP	27.00	30.50	15.24	11.43				1.50
5B/8-6	1/2 BSP X 3/8 BSP	27.00	37.00	15.24	13.97				1.82
5B/8	1/2 BSP X 1/2 BSP	27.00	42.00	15.24	16.51				1.82
5B/8-10	1/2 BSP X 5/8 BSP	30.00	43.20	15.24	17.00				3.66
5B/8-12	1/2 BSP X 3/4 BSP	32.00	45.00	15.24	17.00				3.66
5B/8-16	1/2 BSP X 1 BSP	41.00	45.00	15.24	19.05				6.50
5B/8-20	1/2 BSP X 1 1/4 BSP	50.00	46.00	15.24	21.59				12.12
5B/10-6	5/8 BSP X 3/8 BSP	30.00	28.00	16.00	13.97				2.22
5B/10-8	5/8 BSP X 1/2 BSP	30.00	42.00	16.00	16.51				9.20
5B/10	5/8 BSP X 5/8 BSP	30.00	45.00	16.00	17.00				9.50
5B/10-12	5/8 BSP X 3/4 BSP	32.00	45.00	16.00	17.00				9.50
5B/12-4	3/4 BSP X 1/4 BSP	32.00	29.00	17.00	11.43				2.00
5B/12-6	3/4 BSP X 3/8 BSP	32.00	29.00	17.00	13.97				2.00
5B/12-8	3/4 BSP X 1/2 BSP	32.00	36.00	17.00	16.51				2.10
5B/12-10	3/4 BSP X 5/8 BSP	32.00	43.00	17.00	17.00				2.52
5B/12	3/4 BSP X 3/4 BSP	32.00	46.00	17.00	17.00				2.10
5B/12-16	3/4 BSP X 1 BSP	41.00	49.00	17.00	20.32				3.91
5B/12-20	3/4 BSP X 1 1/4 BSP	50.00	53.00	17.00	21.59				12.12
5B/12-24	3/4 BSP X 1 1/2 BSP	55.00	56.00	17.00	24.13				14.97
5B/16-4	1 BSP X 1/4 BSP	41.00	33.00	19.05	11.43				3.71
5B/16-6	1 BSP X 3/8 BSP	41.00	33.00	19.05	13.97				3.71
5B/16-8	1 BSP X 1/2 BSP	41.00	33.00	19.05	16.51				3.42
5B/16-10	1 BSP X 5/8 BSP	41.00	40.00	19.05	19.05				3.71
5B/16-12	1 BSP X 3/4 BSP	41.00	48.00	19.05	19.05				4.45

Further information on other sizes is available on request and all dimensions are in millimetres

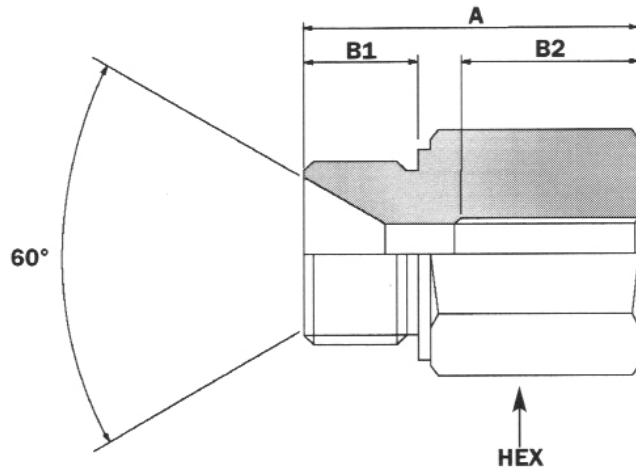
# BSP MALE X BSP FIXED FEMALE BUSH TO DIN 3852 FORM A – continued



PART NUMBER	DESCRIPTION	HEX	A	B1	B2	C1	C2	C3	£ PRICE
5B/16	1 BSP X 1 BSP	41.00	50.00	19.05	20.32				4.22
5B/16-20	1 BSP X 1 1/4 BSP	50.00	52.00	19.05	21.59				12.12
5B/16-24	1 BSP X 1 1/2 BSP	55.00	55.00	19.05	24.13				14.97
5B/16-32	1 BSP X 2 BSP	70.00	56.00	19.05	26.00				18.99
5B/20-6	1 1/4 BSP X 3/8 BSP	50.00	34.00	20.32	13.97				8.50
5B/20-8	1 1/4 BSP X 1/2 BSP	50.00	34.00	20.32	16.51				8.50
5B/20-10	1 1/4 BSP X 5/8 BSP	50.00	34.00	20.32	19.05				8.50
5B/20-12	1 1/4 BSP X 3/4 BSP	50.00	34.00	20.32	19.05				8.50
5B/20-16	1 1/4 BSP X 1 BSP	50.00	44.00	20.32	20.32				8.50
5B/20	1 1/4 BSP X 1 1/4 BSP	50.00	55.00	20.32	21.59				8.95
5B/20-24	1 1/4 BSP X 1 1/2 BSP	55.00	55.00	20.32	24.13				15.59
5B/20-32	1 1/4 BSP X 2 BSP	70.00	56.00	20.32	26.00				20.50
5B/24-6	1 1/2 BSP X 3/8 BSP	55.00	35.00	22.86	13.97				9.97
5B/24-8	1 1/2 BSP X 1/2 BSP	55.00	35.00	22.86	16.51				9.97
5B/24-10	1 1/2 BSP X 5/8 BSP	55.00	35.00	22.86	19.05				9.97
5B/24-12	1 1/2 BSP X 3/4 BSP	55.00	35.00	22.86	19.05				9.97
5B/24-16	1 1/2 BSP X 1 BSP	55.00	35.00	22.86	20.32				9.97
5B/24-20	1 1/2 BSP X 1 1/4 BSP	55.00	55.00	22.86	21.59				12.18
5B/24	1 1/2 BSP X 1 1/2 BSP	55.00	56.00	22.86	24.13				12.18
5B/24-32	1 1/2 BSP X 2 BSP	70.00	64.00	22.86	26.00				22.04
5B/32-8	2 BSP X 1/2 BSP	70.00	39.00	26.00	16.51				17.99
5B/32-10	2 BSP X 5/8 BSP	70.00	39.00	26.00	19.05				17.99
5B/32-12	2 BSP X 3/4 BSP	70.00	39.00	26.00	19.05				17.99
5B/32-16	2 BSP X 1 BSP	70.00	39.00	26.00	20.32				15.50
5B/32-20	2 BSP X 1 1/4 BSP	70.00	39.00	26.00	21.59				15.50
5B/32-24	2 BSP X 1 1/2 BSP	70.00	60.00	26.00	24.13				17.99
5B/32	2 BSP X 2 BSP	70.00	62.00	26.00	26.00				19.00
5B/32-40	2 BSP X 2 1/2 BSP	82.55	68.00	26.00	32.00				92.96
5B/32-48	2 BSP X 3 BSP	100.00	68.00	26.00	32.00				92.96
5B/40-32	2 1/2 BSP X 3 BSP	82.55	68.00	28.00	30.00				59.86
5B/40-40	2 1/2 BSP X 2 1/2	82.55	68.00	28.00	32.00				92.96
5B/48-16	3 BSP X 1 BSP	100.00	48.00	28.00	21.00				92.96
5B/48-20	3 BSP X 1 1/4 BSP	100.00	48.00	28.00	23.00				92.96
5B/48-24	3 BSP X 1 1/2 BSP	100.00	48.00	28.00	26.00				92.96
5B/48-32	3 BSP X 2 BSP	100.00	48.00	28.00	28.00				92.96

Further information on other sizes is available on request and all dimensions are in millimetres

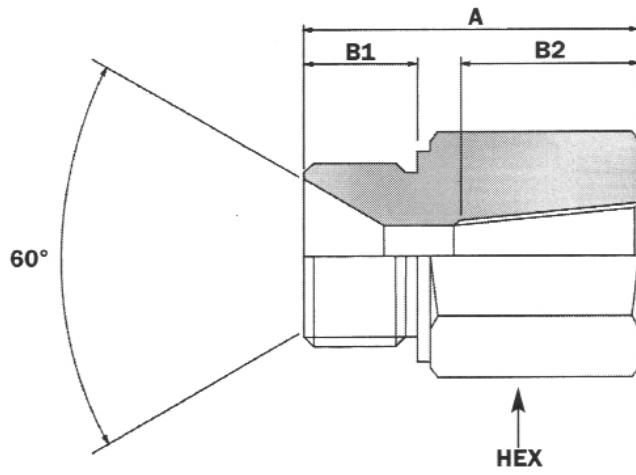
# BSP MALE X BSP FIXED GAUGE FEMALE



PART NUMBER	DESCRIPTION	HEX	A	B1	B2	C1	C2	C3	£ PRICE
5BG/2-2	1/8 BSP X 1/8 BSP	14.00		10.16					2.40
5BG/2-4	1/8 BSP X 1/4 BSP	19.00		10.16					2.40
5BG/4-2	1/4 BSP X 1/8 BSP	19.00		11.00					2.40
5BG/4-4	1/4 BSP X 1/4 BSP	19.00		11.00					2.40
5BG/4-6	1/4 BSP X 3/8 BSP	22.00		11.00					2.52
5BG/4-8	1 4 BSP X 1/2 BSP	27.00		11.00					2.66
5BG/6-4	3/8 BSP X 1/4 BSP	22.00		12.70					2.52
5BG/6-6	3/8 BSP X 3/8 BSP	22.00		12.70					2.52
5BG/6-8	3/8 BSP X 1/2 BSP	27.00		12.70					2.84
5BG/8-4	1/2 BSP X 1/4 BSP	27.00		15.24					2.84
5BG/8-6	1/2 BSP X 3/8 BSP	27.00		15.24					2.84
5BG/8-8	1/2 BSP X 1/2 BSP	27.00		15.24					2.84

Further information on other sizes is available on request and all dimensions are in millimetres

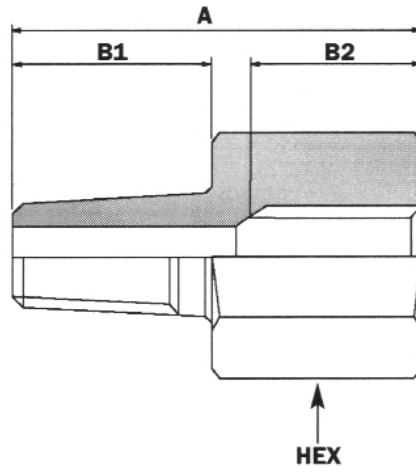
# BSP MALE X BSPT FIXED FEMALE BUSH TO DIN 3852 FORM A



PART NUMBER	DESCRIPTION	HEX	A	B1	B2	C1	C2	C3	£ PRICE
5BT/4	1/4 BSP X 1/4 BSPT FIXED	19.00	33.00	11.00	16.15				6.47
5BT/6	3/8 BSP X 3/8 BSPT FIXED	22.00	34.00	12.70	17.25				6.50
5BT/12-8	3/4 BSP X 1/2 BSPT FIXED	32.00	44.00	17.00	22.10				10.43
5BT/12	3/4 BSP X 3/4 BSPT FIXED	32.00	44.00	17.00	21.50				10.43

Further information on other sizes is available on request and all dimensions are in millimetres

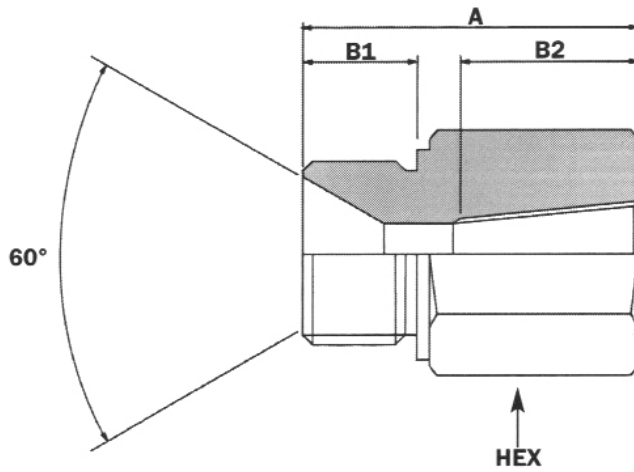
# BSPT MALE X BSP FIXED FEMALE



PART NUMBER	DESCRIPTION	HEX	A	B1	B2	C1	C2	C3	£ PRICE
5TB/4	1/4 BSPT X 1/4 BSP	19.00	33.50	16.15	14.22				5.70
5TB/6	3/8 BSPT X 3/8 BSP	22.00	35.00	17.15	14.22				5.70
5TB/8-4	1/2 BSPT X 1/4 BSP	27.00	43.50	21.59	19.05				8.05
5TB/8	1/2 BSPT X 1/2 BSP	27.00	29.21	21.59	14.22				8.05

Further information on other sizes is available on request and all dimensions are in millimetres

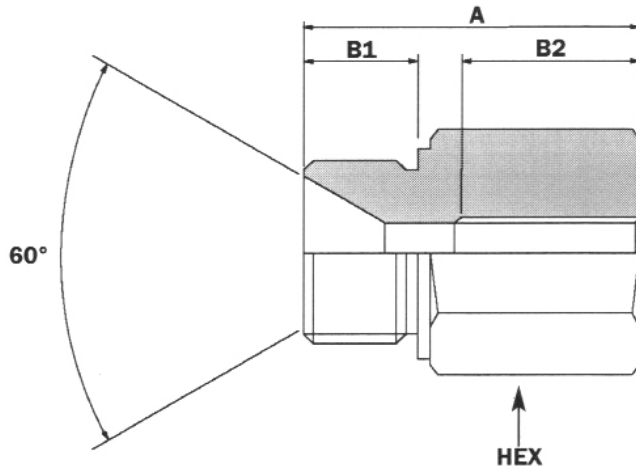
# BSP MALE X NPT FIXED FEMALE BUSH TO DIN 3852 FORM A



PART NUMBER	DESCRIPTION	HEX	A	B1	B2	C1	C2	C3	£ PRICE
5BN/4	1/4 BSP X 1/4 NPTF	19.00	31.00	11.00	14.22				5.19
5BN/4-6	1/4 BSP X 3/8 NPTF	22.00	30.00	11.00	14.22				5.19
5BN/6-4	3/8 BSP X 1/4 NPTF	22.00	33.80	12.70	14.22				5.19
5BN/6	3/8 BSP X 3/8 NPTF	22.00	33.00	12.70	14.22				5.19
5BN/8	1/2 BSP X 1/2 NPTF	27.00	40.00	15.24	19.05				6.50
5BN/12-6	3/4 BSP X 3/8 NPTF	32.00	27.00	17.00	14.22				6.50
5BN/12-8	3/4 BSP X 1/2 NPTF	32.00	27.00	17.00	14.22				9.49
5BN/12	3/4 BSP X 3/4 NPTF	32.00	42.00	17.00	19.05				9.49
5BN/16-4	1 BSP X 1/4 NPTF	41.00	30.00	19.05	19.05				9.49
5BN/20-12	1 1/4 BSP X 3/4 NPTF	50.00	33.00	20.32	19.05				12.01
5BN/32-6	2 BSP X 3/8 NPTF	70.00	44.00	26.00	14.00				35.00
5BN/32-8	2 BSP X 1/2 NPTF	70.00	44.00	26.00	17.00				35.00
5BN/32-12	2 BSP X 3/4 NPTF	70.00	44.00	26.00	20.00				35.00
5BN/32-16	2 BSP X 1 NPTF	70.00	44.00	26.00	22.00				35.00
5BN/32-20	2 BSP X 1 1/4 NPTF	70.00	44.00	26.00	24.00				35.00
5BN/32-24	2 BSP X 1 1/2 NPTF	70.00	52.00	26.00	26.00				35.00
5BN/32	2 BSP X 2 NPTF	70.00	62.00	26.00	27.00				59.00
5BN/40-24	2 1/2 BSP X 1 1/2 NPTF	82.55	46.00	28.00	26.00				92.96
5BN/40-32	2 1/2 BSP X 2 NPTF	82.55	46.00	28.00	27.00				92.96
5BN/48-24	3 BSP X 1 1/2 NPTF	100.00	48.00	28.00	26.00				92.96
5BN/48-32	3 BSP X 2 NPTF	100.00	48.00	28.00	27.00				92.95

Further information on other sizes is available on request and all dimensions are in millimetres

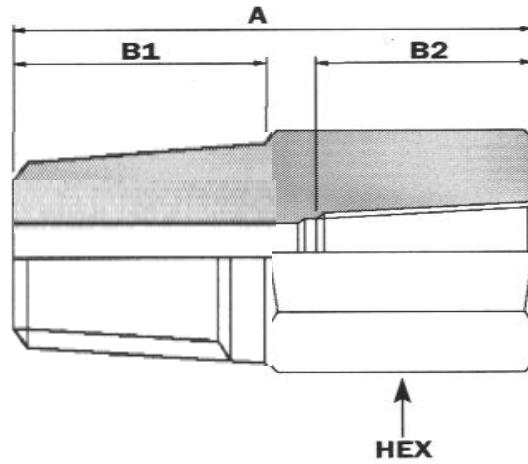
# METRIC MALE X BSP FIXED FEMALE BUSH TO DIN 3852 FORM A



PART NUMBER	DESCRIPTION	HEX	A	B1	B2	C1	C2	C3	£ PRICE
5MB/14-4	14 X1.5MM X 1/4 BSP	19.00	27.00	11.00	11.43				5.96
5MB/16-4	16 X1.5MM X 1/4 BSP	22.00	30.00	12.70	11.43				5.96
5MB/16-6	16 X1.5MM X 3/8 BSP	22.00	32.00	12.70	13.97				5.96
5MB/16-8	16 X1.5MM X 1/2 BSP	27.00	36.00	12.70	16.51				6.97
5MB/18-2	18 X1.5MM X 1/8 BSP	22.00	26.00	12.70	11.43				5.96
5MB/18-4	18 X1.5MM X 1/4 BSP	22.00	26.00	12.70	11.43				4.50
5MB/18-6	18 X1.5MM X 3/8 BSP	22.00	32.00	12.70	13.97				4.50
5MB/18-8	18 X1.5MM X 1/2 BSP	27.00	36.00	12.70	16.51				5.96
5MB/22-8	22 X1.5MM X 1/2 BSP	27.00	42.50	15.24	16.51				5.96

Further information on other sizes is available on request and all dimensions are in millimetres

## NPTF MALE X NPTF FIXED FEMALE

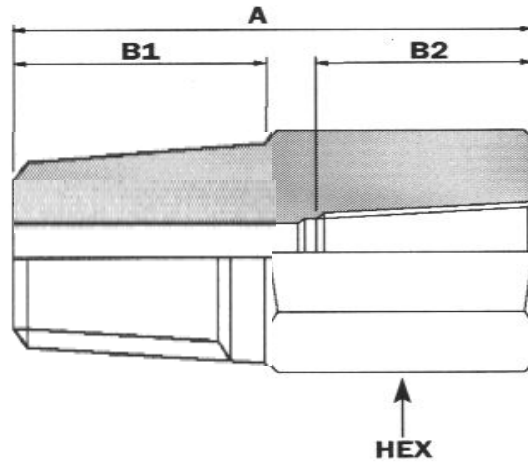


PART NUMBER	DESCRIPTION	HEX	A	B1	B2	C1	C2	C3	£ PRICE
5N/2	1/8 NPT X 1/8 NPT	14.00	22.86	9.65	9.65				1.70
5N/2-4	1/8 NPT X 1/4 NPT	19.00	33.00	10.06	14.22				2.31
5N/4-2	1/4 NPT X 1/8 NPT	14.00	21.59	14.22	10.00				2.00
5N/4	1/4 NPT X 1/4 NPT	19.00	36.00	14.22	14.22				1.87
5N/4-6	1/4 NPT X 3/8 NPT	22.00	36.00	14.22	14.22				2.31
5N/4-8	1/4 NPT X 1/2 NPT	27.00	43.00	14.22	19.05				2.79
5N/6-2	3/8 NPT X 1/8 NPT	19.00	21.59	14.22	10.00				2.50
5N/6-4	3/8 NPT X 1/4 NPT	22.00	38.00	14.22	14.22				2.50
5N/6	3/8 NPT X 3/8 NPT	22.00	35.00	14.22	14.22				2.00
5N/6-8	3/8 NPT X 1/2 NPT	27.00	42.00	14.22	19.05				2.79
5N/8-2	3/8 NPT X 1/8 NPT	22.00	27.94	19.05	10.00				2.00
5N/8-4	1/2 NPT X 1/4 NPT	22.00	28.00	19.05	14.22				2.00
5N/8-6	1/2 NPT X 3/8 NPT	22.00	28.00	19.05	14.22				2.00
5N/8	1/2 NPT X 1/2 NPT	27.00	45.00	19.05	19.05				1.95
5N/8-12	1/2 NPT X 3/4 NPT	32.00	50.00	19.05	19.05				3.11
5N/12-4	3/4 NPT X 1/4 NPT	27.00	30.00	19.05	14.22				3.11
5N/12-6	3/4 NPT X 3/8 NPT	27.00	30.00	19.05	14.22				3.11
5N/12-8	3/4 NPT X 1/2 NPT	27.00	31.00	19.05	19.05				3.11
5N/12	3/4 NPT X 3/4 NPT	32.00	45.00	19.05	19.05				3.66
5N/12-16	3/4 NPT X 1 NPT	38.00	50.00	19.05	23.88				5.90
5N/16-4	1 NPT X 1/4 NPT	38.00	35.00	23.88	14.22				5.10
5N/16-6	1 NPT X 3/8 NPT	38.00	35.00	23.88	14.22				5.10
5N/16-8	1 NPT X 1/2 NPT	38.00	35.00	23.88	19.05				5.10
5N/16-12	1 NPT X 3/4 NPT	38.00	35.00	23.88	19.05				5.10
5N/16	1 NPT X 1 NPT	38.00	58.00	23.88	23.00				5.10
5N/16-20	1 NPT X 1 1/4 NPT	50.00	58.00	23.88	24.64				15.45
5N/20-12	1 1/4 NPT X 3/4 NPT	45.00	37.00	24.64	19.05				9.56
5N/20-16	1 1/4 NPT X 1 NPT	46.00	37.00	24.64	23.88				9.56
5N/20	1 1/4 NPT X 1 1/4 NPT	50.00	61.00	24.64	24.64				8.50
5N/20-24	1 1/4 NPT X 1 1/2 NPT	55.00	62.00	24.64	25.40				19.49
5N/24-12	1 1/2 NPT X 3/4 NPT	50.00	39.37	25.40	19.05				19.49
5N/24-16	1 1/2 NPT X 1 NPT	50.00	39.37	25.40	23.88				20.45
5N/24-20	1 1/2 NPT X 1 1/4 NPT	50.00	39.37	25.40	24.64				20.45
5N/24	1 1/2 NPT X 1 1/2 NPT	55.00	62.00	25.40	25.40				20.45
5N/24-32	1 1/2 NPT X 2 NPT	70.00	65.00	25.40	26.16				36.99
5N/32-24	2 NPT X 1 1/2 NPT	70.00	42.67	26.16	26.16				36.99
5N/32	2 NPT X 2 NPT	70.00	65.00	26.16	26.17				36.99

Further information on other sizes is available on request and all dimensions are in millimetres



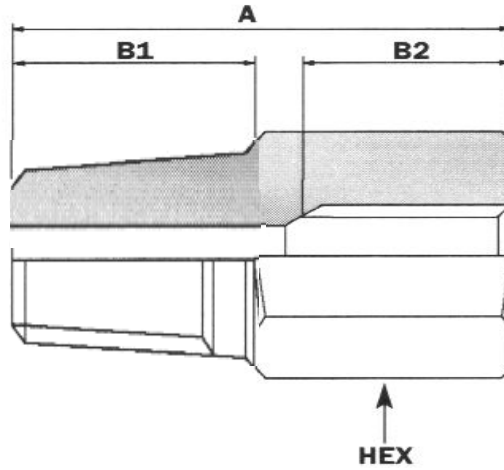
# NPTF MALE X NPTF FIXED FEMALE



PART NUMBER	DESCRIPTION	HEX	A	B1	B2	C1	C2	C3	£ PRICE
5N/32-40	2 NPTF X 2 1/2 NPTF	82.55	75.00	21.16	39.00				101.00
5N/40-20	2 1/2 NPTF X 1 1/4 NPTF	82.55	85.00	39.00	39.00				101.00
5N/40-24	2 1/2 NPTF X 1 1/2 NPTF	82.55	58.00	39.00	24.64				101.00
5N/40-32	2 1/2 NPTF X 2 NPTF	82.55	58.00	39.00	25.40				101.00
5N/40	2 1/2 NPTF X 2 1/2 NPTF	82.55	58.00	39.00	27.00				101.00
5N/48-20	3 NPTF X 1 1/4 NPTF	82.55	60.00	41.00	24.64				115.00
5N/48-24	3 NPTF X 1 1/2 NPTF	82.55	60.00	41.00	25.64				115.00
5N/48-32	3 NPTF X 2 NPTF	82.55	60.00	41.00	27.00				115.00
5N/48	3 NPTF X 3 NPTF	100.00	60.00	41.00	41.00				125.00

Further information on other sizes is available on request and all dimensions are in millimetres

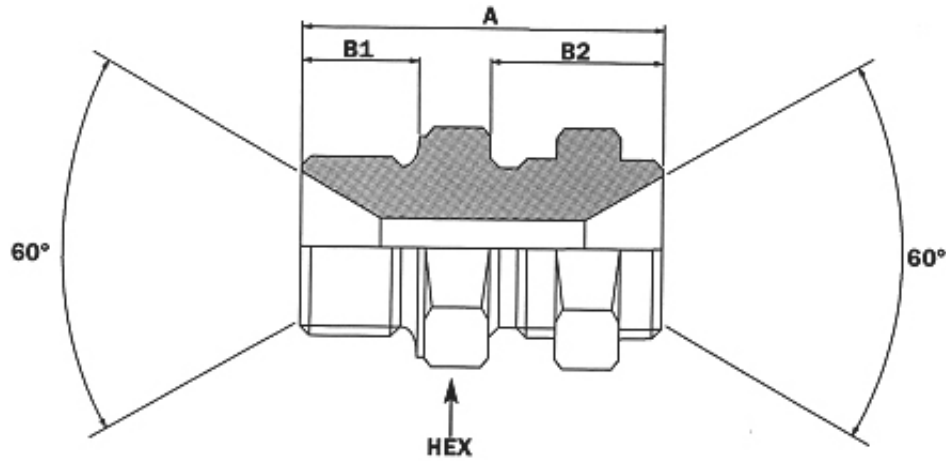
# NPT MALE X BSP FIXED FEMALE



PART NUMBER	DESCRIPTION	HEX	A	B1	B2	C1	C2	C3	£ PRICE
5NB/4	1/4 NPT X 1/4 BSP	19.00	36.00	14.22	14.22				5.20
5NB/4-8	1/4 NPT X 1/2 BSP	27.00	43.00	14.22	19.05				6.48
5NB/6-4	3/8 NPT X 1/4 BSP	19.00	20.00	14.22	14.22				5.20
5NB/8-6	1/2 NPT X 3/8 BSP	22.00	45.00	19.05	19.05				6.48
5NB/8	1/2 NPT X 1/2 BSP	27.00	28.00	19.05	14.22				6.48
5NB/12-4	3/4 NPT X 1/4 BSP	27.00	58.00	23.88	23.88				6.48
5NB/16-4	1 NPT X 1/4 BSP	38.00	29.00	19.05	14.22				6.48
5NB/16	1 NPT X 1 BSP	41.00	35.00	23.88	14.22				6.48
5NB/20-4	1 1/4 NPT X 1/4 BSP	46.00	34.00	24.64	12.00				16.00
5NB/20-8	1 1/4 NPT X 1/2 BSP	46.00	34.00	24.64	17.00				8.50
5NB/20-12	1 1/4 NPT X 3/4 BSP	46.00	34.00	24.64	18.00				16.00
5NB/20-16	1 1/4 NPT X 1 BSP	46.00	44.00	24.64	20.00				16.00
5NB/24-8	1 1/2 NPT X 1/2 BSP	50.00	38.00	25.40	17.00				25.00
5NB/24-12	1 1/2 NPT X 3/4 BSP	50.00	38.00	25.40	18.00				25.00
5NB/24-16	1 1/2 NPT X 1 BSP	50.00	38.00	25.40	20.00				25.00
5NB/32-16	2 NPT X 1 BSP	70.00	45.00	26.16	20.00				32.00
5NB/32-20	2 NPT X 1 1/4 BSP	70.00	45.00	26.16	22.00				32.00
5NB/32-24	2 NPT X 1 1/2 BSP	70.00	45.00	26.16	25.00				32.00
5NB/40-24	2 1/2 NPT X 1 1/2 BSP	82.55	59.00	39.00	25.00				95.00
5NB/40-32	2 1/2 NPT X 2 BSP	82.55	61.00	39.00	27.00				95.00
5NB/48-16	3 NPT X 1 BSP	100.00	61.00	41.00	20.00				98.00
5NB/48-20	3 NPT X 1 1/4 BSP	100.00	61.00	41.00	22.00				98.00
5NB/48-24	3 NPT X 1 1/2 BSP	100.00	61.00	41.00	25.00				98.00
5NB/48-32	3 NPT X 2 BSP	100.00	70.00	41.00	27.00				110.00

Further information on other sizes is available on request and all dimensions are in millimetres

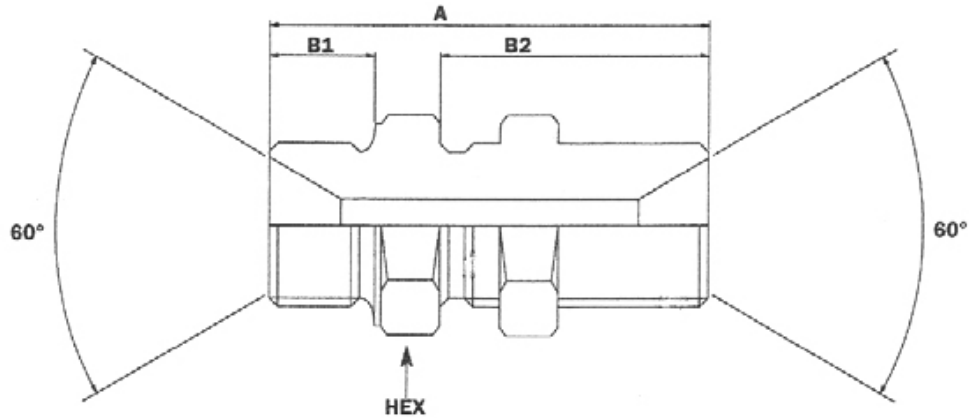
# BSP MALE X BSP MALE BULKHEAD WITH LOCKNUT TO DIN 3852 FORM A



PART NUMBER	DESCRIPTION	HEX	A	B1	B2	C1	C2	C3	£ PRICE
6B/2	1/8 BSP X 1/8 BSP	14.00	43.00	10.16	26.00				2.49
6B/4	1/4 BSP X 1/4 BSP	19.00	44.00	11.00	26.42				1.51
6B/4-6	1/4 BSP X 3/8 BSP	22.00	47.50	11.00	27.94				3.10
6B/6	3/8 BSP X 3/8 BSP	22.00	48.26	12.70	27.94				1.69
6B/6-8	3/8 BSP X 1/2 BSP	27.00	55.00	12.70	32.51				3.90
6B/8-6	1/2 BSP X 3/8 BSP	27.00	53.34	15.24	27.94				3.90
6B/8	1/2 BSP X 1/2 BSP	27.00	58.42	15.24	32.51				2.49
6B/8-12	1/2 BSP X 3/4 BSP	32.00	58.90	15.24	33.53				9.55
6B/10	5/8 BSP X 5/8 BSP	30.00	59.00	16.00	33.53				8.48
6B/12-6	3/4 BSP X 3/8 BSP	32.00	56.00	17.00	27.94				9.10
6B/12-8	3/4 BSP X 1/2 BSP	32.00	60.00	17.00	32.51				7.55
6B/12	3/4 BSP X 3/4 BSP	32.00	66.00	17.00	36.00				3.98
6B/12-16	3/4 BSP X 1 BSP	41.00	72.60	17.00	39.88				5.80
6B/16-12	1 BSP X 3/4 BSP	41.00	67.00	19.05	34.53				6.79
6B/16	1 BSP X 1 BSP	41.00	71.62	19.05	39.88				5.11
6B/20	1 1/4 BSP X 1 1/4 BSP	50.00	77.22	20.32	39.88				9.50
6B/24	1 1/2 BSP X 1 1/2 BSP	55.00	78.74	22.86	40.00				11.19
6B/24-32	1 1/2 BSP X 2 BSP	70.00	87.55	22.86	48.00				30.48
6B/32	2 BSP X 2 BSP	70.00	97.00	26.00	48.00				30.48
6B/40	2 1/2 BSP X 2 1/2 BSP	82.55	104.00	28.00	56.00				99.00
6B/48	3 BSP X 3 BSP	100.00	104.00	28.00	56.00				160.00

Further information on other sizes is available on request and all dimensions are in millimetres

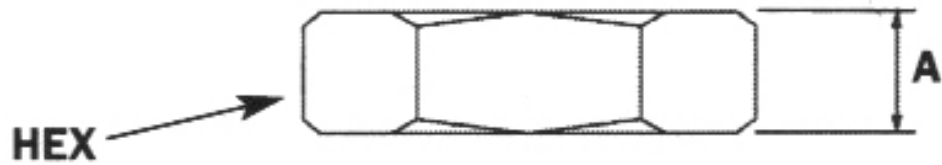
## BSP MALE X BSP MALE EXTENDED BULKHEAD C/W LOCKNUT TO DIN 3852 FORM A



PART NUMBER	DESCRIPTION	HEX	A	B1	B2	C1	C2	C3	£ PRICE
6BX/4	1/4 BSP X 1/4 BSP	19.00	63.05	11.00	45.47				3.51
6BX/6	3/8 BSP X 3/8 BSP	22.00	67.32	12.70	47.00				3.62
6BX/6-8	3/8 BSP X 1/2 BSP	27.00	71.23	12.70	51.50				5.90
6BX/8-6	1/2 BSP X 3/8 BSP	27.00	72.40	15.24	47.00				5.90
6BX/8	1/2 BSP X 1/2 BSP	27.00	77.41	15.24	51.50				5.90
6BX/12-8	3/4 BSP X 1/2 BSP	32.00	77.99	16.00	51.50				9.27
6BX/12	3/4 BSP X 3/4 BSP	32.00	83.62	17.00	57.15				9.27
6BX/16	1 BSP X 1 BSP	41.00	99.80	19.05	65.00				14.30
6BX/20	1 1/4 BSP X 1 1/4 BSP	50.00	100.00	20.32	65.00				18.51
6BX/24	1 1/2 BSP X 1 1/2 BSP	55.00	103.94	22.86	65.20				21.53
6BX/32	2 BSP X 2 BSP	70.00	110.00	26.00	65.20				50.37

Further information on other sizes is available on request and all dimensions are in millimetres

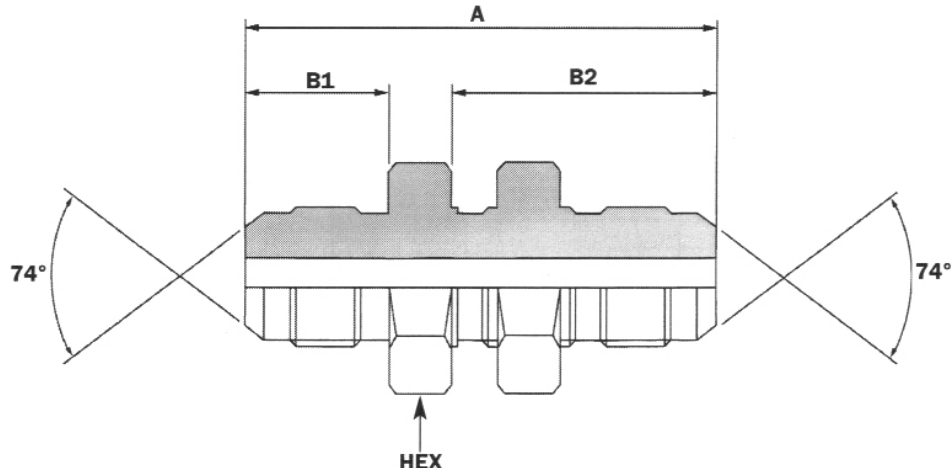
# BSP LOCKNUT



PART NUMBER	DESCRIPTION	HEX	A	B1	B2	C1	C2	C3	£ PRICE
LNB/2	1/8 BSP	14.00	6.35						0.48
LNB/4	1/4 BSP	19.00	6.35						0.48
LNB/6	3/8 BSP	22.00	7.62						0.48
LNB/8	1/2 BSP	27.00	9.14						0.60
LNB/10	5/8 BSP	30.00	9.14						1.01
LNB/12	3/4 BSP	32.00	10.41						1.01
LNB/16	1 BSP	41.00	10.41						1.50
LNB/20	1 1/4 BSP	50.00	10.41						2.30
LNB/24	1 1/2 BSP	55.00	10.41						3.21
LNB/32	2 BSP	70.00	10.70						6.49
LNB/40	2 1/2 BSP	82.50	12.00						16.00
LNB/48	3 BSP	100.00	12.00						16.20

Further information on other sizes is available on request and all dimensions are in millimetres

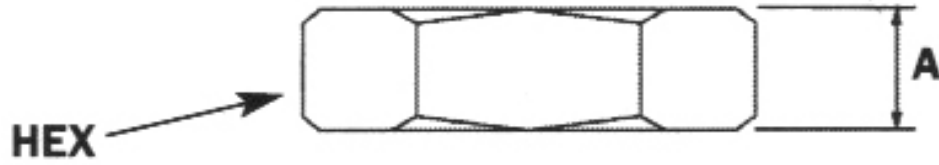
# JIC MALE X JIC MALE BULKHEAD WITH LOCKNUT



PART NUMBER	DESCRIPTION	HEX	A	B1	B2	C1	C2	C3	£ PRICE
6J/4	7/16 JIC X 7/16 JIC	14.00	52.50	14.00	31.50				3.90
6J/5	1/2 JIC X 1/2 JIC	19.00	52.50	14.00	31.50				4.10
6J/6	9/16 JIC X 9/16 JIC	19.00	55.50	14.00	33.50				2.90
6J/8	3/4 JIC X 3/4 JIC	22.00	62.00	17.00	37.50				3.14
6J/10	7/8 JIC X 7/8 JIC	27.00	69.50	19.50	41.00				3.54
6J/12	1 1/16 JIC X 1 1/16 JIC	32.00	78.50	22.00	45.50				6.11
6J/14	1 3/16 JIC X 1 3/16 JIC	38.00	79.00	22.50	45.50				10.52
6J/16	1 5/16 JIC X 1 5/16 JIC	38.00	80.00	23.00	45.50				9.55
6J/20	1 5/8 JIC X 1 5/8 JIC	50.00	84.00	24.50	46.50				19.56
6J/24	1 7/8 JIC X 1 7/8 JIC	50.00	89.50	27.50	47.00				41.95

Further information on other sizes is available on request and all dimensions are in millimetres

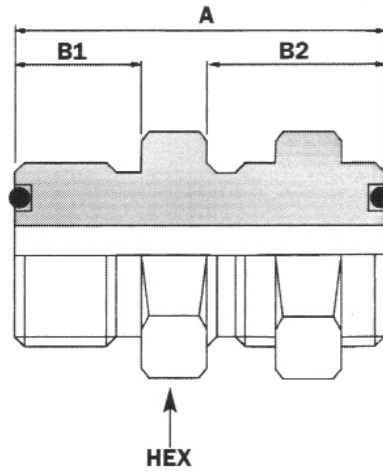
# JIC LOCKNUT



PART NUMBER	DESCRIPTION	HEX	A	B1	B2	C1	C2	C3	£ PRICE
LNJ/4	7/16 JIC	14.00	6.35						0.66
LNJ/5	1/2 JIC	14.00	6.35						0.66
LNJ/6	9/16 JIC	19.00	6.86						0.95
LNJ/8	3/4 JIC	22.00	7.87						0.95
LNJ/10	7/8 JIC	27.00	9.14						1.10
LNJ/12	1 1/16 JIC	32.00	10.41						2.51
LNJ/16	1 5/16 JIC	38.00	10.41						3.50
LNJ/20	1 5/8 JIC	50.00	10.41						4.29
LNJ/24	1 7/8 JIC	55.00	10.41						5.80

Further information on other sizes is available on request and all dimensions are in millimetres

# ORFS MALE BULKHEAD C/W LOCKNUT

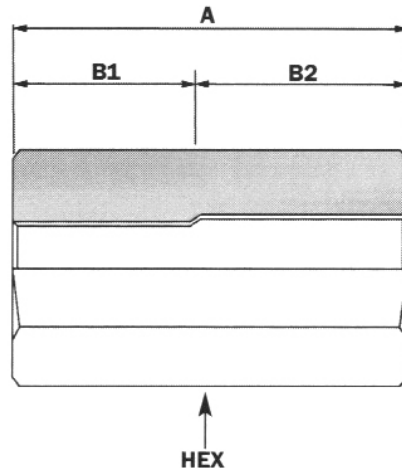


PART NUMBER	DESCRIPTION	HEX	A	B1	B2	C1	C2	C3	£ PRICE
6OR/9-9	9/16 ORFS X 9/16 ORFS	19.00	48.00	10.00	31.50				2.92
6OR/11-11	11/16 ORFS X 11/16 ORFS	22.00	53.00	11.00	34.00				3.10
6OR/13-13	13/16 ORFS X 13/16 ORFS	27.00	58.00	13.00	36.50				3.88
6OR/16-16	1" ORFS X 1" ORFS	32.00	66.50	15.50	40.50				4.22
6OR/19-19	1 3/16 ORFS X 1 3/16 ORFS	38.00	69.00	17.00	41.50				10.10
6OR/23-23	1 7/16 ORFS X 1 7/16 ORFS	41.00	70.00	17.50	42.00				10.25
6OR/27-27	1 11/16 ORFS X 1 11/16 ORFS	50.00	70.00	17.50	42.00				17.20

Further information on other sizes is available on request and all dimensions are in millimetres



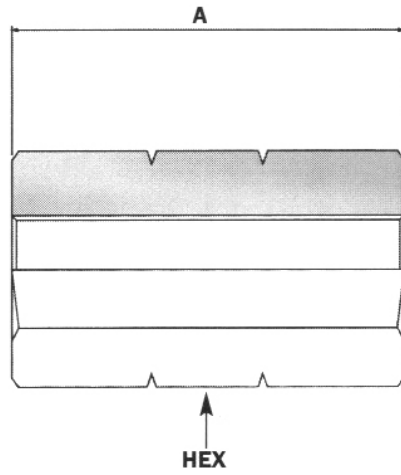
# BSP FIXED FEMALE X BSP FIXED FEMALE



PART NUMBER	DESCRIPTION	HEX	A	B1	B2	C1	C2	C3	£ PRICE
7B/2	1/8 BSP X 1/8 BSP	14.00	22.86	11.43	11.43				0.88
7B/2-4	1/8 BSP X 1/4 BSP	19.00	22.86	11.43	11.43				1.19
7B/2-6	1/8 BSP X 3/8 BSP	22.00	27.94	11.00	13.97				1.50
7B/4	1/4 BSP X 1/4 BSP	19.00	27.00	11.43	11.43				0.94
7B/4-6	1/4 BSP X 3/8 BSP	22.00	27.94	11.43	13.97				1.20
7B/4-8	1/4 BSP X 1/2 BSP	27.00	31.75	16.51	11.43				1.50
7B/4-12	1/4 BSP X 3/4 BSP	32.00	40.64	11.43	19.05				3.99
7B/6	3/8 BSP X 3/8 BSP	22.00	29.21	13.97	13.97				1.11
7B/6-8	3/8 BSP X 1/2 BSP	27.00	32.00	16.51	13.97				1.50
7B/6-12	3/8 BSP X 3/4 BSP	32.00	35.56	13.97	19.05				3.99
7B/6-16	3/8 BSP X 1 BSP	41.00	35.00	13.97	20.32				4.50
7B/8	1/2 BSP X 1/2 BSP	27.00	33.02	16.51	16.51				1.50
7B/8-10	1/2 BSP X 5/8 BSP	30.00	38.10	16.51	19.05				3.48
7B/8-12	1/2 BSP X 3/4 BSP	32.00	40.60	16.51	19.05				2.19
7B/8-16	1/2 BSP X 1 BSP	41.00	41.91	16.51	20.32				5.98
7B/8-20	1/2 BSP X 1 1/4 BSP	50.00	40.00	16.51	21.59				7.45
7B/10	5/8 BSP X 5/8 BSP	30.00	38.70	19.05	19.05				2.49
7B/10-12	5/8 BSP X 3/4 BSP	32.00	40.64	19.05	19.05				2.99
7B/12	3/4 BSP X 3/4 BSP	32.00	40.64	19.05	19.05				2.04
7B/12-16	3/4 BSP X 1 BSP	41.00	41.91	19.05	20.32				5.98
7B/12-20	3/4 BSP X 1 1/4 BSP	50.00	45.72	18.00	21.59				7.45
7B/16	1 BSP X 1 BSP	41.00	41.91	20.32	20.32				5.33
7B/16-20	1 BSP X 1 1/4 BSP	50.00	45.72	20.32	21.59				7.45
7B/16-24	1 BSP X 1 1/2 BSP	55.00	50.80	24.13	24.13				13.96
7B/20	1 1/4 BSP X 1 1/4 BSP	50.00	48.26	21.59	21.59				6.26
7B/20-24	1 1/4 BSP X 1 1/2 BSP	55.00	50.80	21.59	24.13				7.45
7B/24	1 1/2 BSP X 1 1/2 BSP	55.00	50.80	24.13	24.13				7.45
7B/24-32	1 1/2 BSP X 2 BSP	70.00	54.34	24.13	26.40				14.22
7B/32	2 BSP X 2 BSP	70.00	55.34	26.40	26.40				14.22

Further information on other sizes is available on request and all dimensions are in millimetres

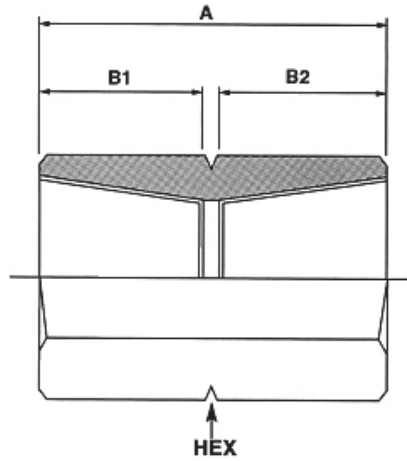
# METRIC FIXED FEMALE X METRIC FIXED FEMALE



PART NUMBER	DESCRIPTION	HEX	A	B1	B2	C1	C2	C3	£ PRICE
7M/10	10 MM X 10 X 1 MM	14.00	22.86						2.90
7M/12	12 MM X 12 X 1.5 MM	19.00	23.00						2.90
7M/14	14 MM X 14 X 1.5 MM	19.00	30.00						1.98
7M/16	16 MM X 16 X 1.5 MM	22.00	29.50						1.98
7M/18	18 MM X 18 X 1.5 MM	22.00	30.10						1.98
7M/20	20 MM X 20 X 1.5 MM	27.00	33.00						2.91
7M/22	22 MM X 22 X 1.5 MM	27.00	33.00						2.95
7M/26	26 MM X 26 X 2 MM	32.00	40.64						3.09

Further information on other sizes is available on request and all dimensions are in millimetres

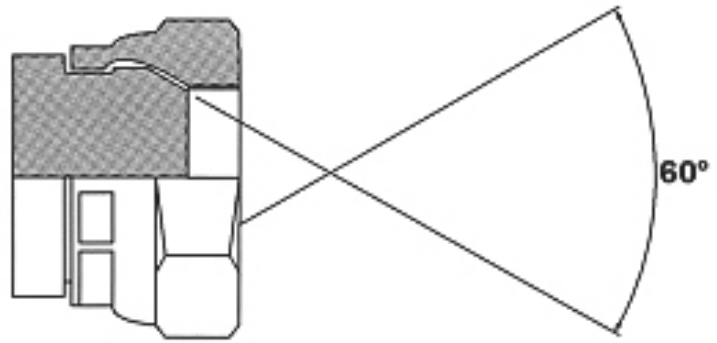
# NPTF FIXED FEMALE X NPTF FIXED FEMALE



PART NUMBER	DESCRIPTION	HEX	A	B1	B2	C1	C2	C3	£ PRICE
7N/2	1/8 NPTF X 1/8 NPTF	14.00	22.86	9.65	9.65				2.90
7N/2-4	1/8 NPTF X 1/4 NPTF	19.00	27.00	9.55	14.22				2.11
7N/2-6	1/8 NPTF X 3/8 NPTF	22.00	27.00	9.55	14.22				2.11
7N/4	1/4 NPTF X 1/4 NPTF	19.00	30.00	14.22	14.22				2.11
7N/4-6	1/4 NPTF X 3/8 NPTF	22.00	30.00	14.22	14.22				2.58
7N/6	3/8 NPTF X 3/8 NPTF	22.00	30.00	14.22	14.22				2.58
7N/6-8	3/8 NPTF X 1/2 NPTF	27.00	34.60	14.22	19.05				2.90
7N/8	1/2 NPTF X 1/2 NPTF	27.00	42.00	19.05	19.05				2.90
7N/8-12	1/2 NPTF X 3/4 NPTF	32.00	42.00	19.05	19.05				3.04
7N/12	3/4 NPTF X 3/4 NPTF	32.00	40.60	19.05	19.05				3.04
7N/12-16	3/4 NPTF X 1 NPTF	41.00	46.00	19.05	23.88				6.35
7N/16	1 NPTF X 1 NPTF	41.00	52.00	23.88	23.88				6.35
7N/16-20	1 NPTF X 1 1/4 NPTF	50.00	54.00	23.88	24.64				8.26
7N/16-24	1 NPTF X 1 1/2 NPTF	55.00	55.00	24.00	25.00				19.00
7N/20	1 1/4 NPTF X 1 1/4 NPTF	50.00	54.00	24.64	24.64				8.26
7N/20-24	1 1/4 NPTF X 1 1/2 NPTF	55.00	55.00	25.00	25.00				19.00
7N/20-32	1 1/4 NPTF X 2 NPTF	70.00	56.00	25.00	27.00				22.65
7N/24	1 1/2 NPTF X 1 1/2 NPTF	55.00	55.00	25.40	25.40				10.10
7N/24-32	1 1/2 NPTF X 2 NPTF	70.00	56.00	26.00	27.00				22.65
7N/24-40	1 1/2 NPTF X 2 1/2 NPTF	82.55	69.00	26.00	39.00				75.00
7N/32	2 NPTF X 2 NPTF	70.00	56.00	26.16	26.16				16.20
7N/32-40	2 NPTF X 2 1/2 NPTF	82.55	70.00	27.00	39.00				75.00
7N/32-48	2 NPTF X 3 NPTF	100.00	70.00	27.00	39.00				110.00
7N/40	2 1/2 NPTF X 2 1/2 NPTF	82.55	82.00	39.00	39.00				75.00
7N/40-48	2 1/2 NPTF X 3 NPTF	100.00	82.00	39.00	39.00				110.00
7N/48	3 NPTF X 3 NPTF	100.00	82.00	39.00	39.00				110.00

Further information on other sizes is available on request and all dimensions are in millimetres

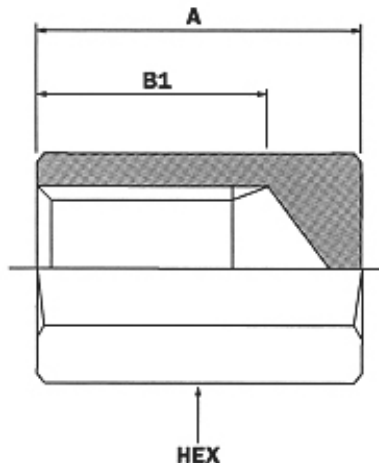
## BSP SWIVEL BLANKING CAP



PART NUMBER	DESCRIPTION	HEX	A	B1	B2	C1	C2	C3	£ PRICE
CB/2	1/8 BSP								1.05
CB/4	1/4 BSP								0.99
CB/6	3/8 BSP								1.01
CB/8	1/2 BSP								1.40
CB/10	5/8 BSP								1.99
CB/12	3/4 BSP								2.20
CB/16	1 BSP								3.20
CB/20	1 1/4 BSP								4.44
CB/24	1 1/2 BSP								8.77
CB/32	2 BSP								17.98

Further information on other sizes is available on request and all dimensions are in millimetres

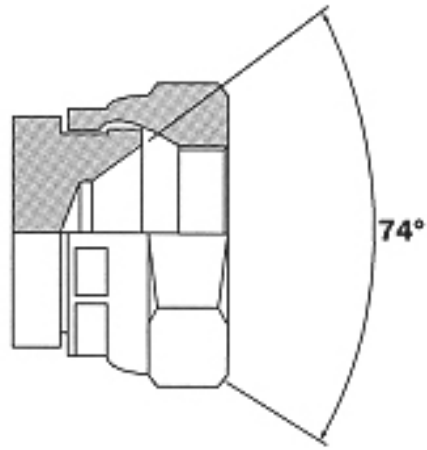
## BSP SOLID BLANKING CAP



PART NUMBER	DESCRIPTION	HEX	A	B1	B2	C1	C2	C3	£ PRICE
CBS/2	1/8 BSP BLANKING CAP	14.00	18.00	13.00					1.05
CBS/4	1/4 BSP BLANKING CAP	19.00	20.00	15.00					0.99
CBS/6	3/8 BSP BLANKING CAP	22.00	22.00	17.00					1.01
CBS/8	1/2 BSP BLANKING CAP	27.00	25.00	19.00					1.40
CBS/10	5/8 BSP BLANKING CAP	30.00	26.00	20.00					1.99
CBS/12	3/4 BSP BLANKING CAP	32.00	26.00	20.00					2.20
CBS/16	1 BSP BLANKING CAP	41.00	32.00	25.00					2.76
CBS/20	1 1/4 BSP BLANKING CAP	50.00	36.00	26.00					4.44
CBS/24	1 1/2 BSP BLANKING CAP	55.00	38.00	28.00					8.77
CBS/32	2 BSP BLANKING CAP	70.00	45.00	30.00					14.44

Further information on other sizes is available on request and all dimensions are in millimetres

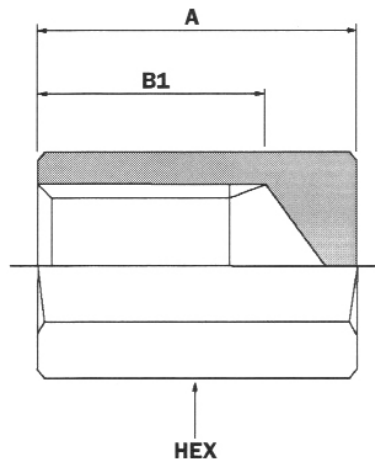
# JIC SWIVEL BLANKING CAP



PART NUMBER	DESCRIPTION	HEX	A	B1	B2	C1	C2	C3	£ PRICE
CJ/4	7/16 JIC								0.90
CJ/5	1/2 JIC								0.90
CJ/6	9/16 JIC								0.95
CJ/8	3/4 JIC								1.28
CJ/10	7/8 JIC								1.28
CJ/12	1 1/16 JIC								2.01
CJ/16	1 5/16 JIC								2.76
CJ/20	1 5/8 JIC								4.18
CJ/24	1 7/8 JIC								8.10
CJ/32	2 1/2 JIC								20.93

Further information on other sizes is available on request and all dimensions are in millimetres

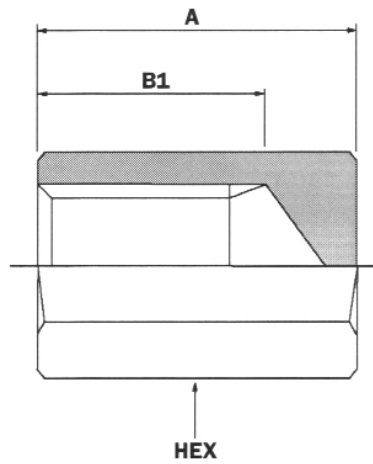
# NPTF SOLID BLANKING CAPS



PART NUMBER	DESCRIPTION	HEX	A	B1	B2	C1	C2	C3	£ PRICE
CNS/2	1/8 NPTF	14.00	15.00	9.00					3.20
CNS/4	1/4 NPTF	19.00	20.00	14.00					3.20
CNS/6	3/8 NPTF	22.00	20.00	14.00					3.20
CNS/8	1/2 NPTF	27.00	25.00	19.00					3.20
CNS/12	3/4 NPTF	32.00	25.00	19.00					3.46
CNS/16	1 NPTF	41.00	30.00	24.00					5.50
CNS/20	1 1/4 NPTF	50.00	30.00	25.00					8.58
CNS/24	1 1/2 NPTF	55.00	32.00	26.00					9.52
CNS/32	2 NPTF	70.00	33.00	27.00					17.99

Further information on other sizes is available on request and all dimensions are in millimetres

## METRIC SOLID BLANKING CAPS

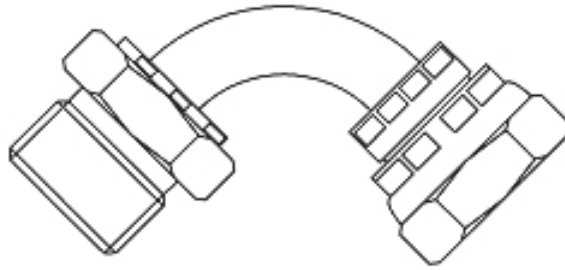


PART NUMBER	DESCRIPTION	HEX	A	B1	B2	C1	C2	C3	£ PRICE
CMS/10	10 X 1 MM	14.00	18.00	13.00					1.05
CMS/12	12 X1.5 MM	19.00	20.00	15.00					0.99
CMS/14	14 X1.5 MM	19.00	20.00	15.00					1.01
CMS/16	16 X1.5 MM	22.00	22.00	17.00					1.01
CMS/18	18 X1.5 MM	22.00	22.00	17.00					1.01
CMS/20	20 X1.5 MM	27.00	25.00	19.00					1.40
CMS/22	22 X1.5 MM	27.00	25.00	19.00					1.40
CMS/24	24 X1.5 MM	30.00	26.00	20.00					1.99
CMS/26	26 X1.5 MM	32.00	26.00	20.00					1.99

Further information on other sizes is available on request and all dimensions are in millimetres



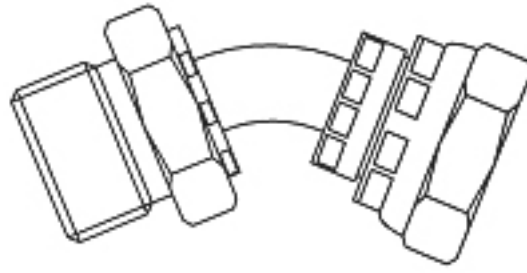
## BSP MALE X BSP SWIVEL FEMALE 90° SWEPT



PART NUMBER	DESCRIPTION	HEX	A	B1	B2	C1	C2	C3	£ PRICE
2B90/4	1/4 BSP X 1/4 BSP								2.82
2B90/6	3/8 BSP X 3/8 BSP								3.40
2B90/8	1/2 BSP X 1/2 BSP								3.95
2B90/10	5/8 BSP X 5/8 BSP								7.51
2B90/12	3/4 BSP X 3/4 BSP								7.51
2B90/16	1 BSP X 1 BSP								13.30
2B90/20	1 1/4 BSP X 1 1/4 BSP								20.44
2B90/24	1 1/2 BSP X 1 1/2 BSP								41.05
2B90/32	2 BSP X 2 BSP								59.50

Further information on other sizes is available on request and all dimensions are in millimetres

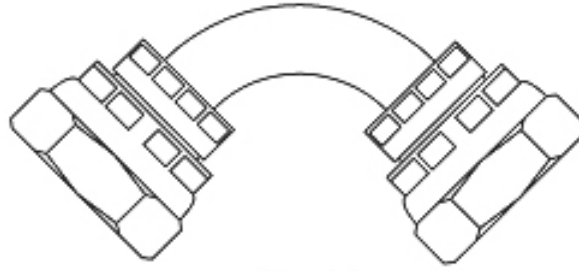
## BSP MALE X BSP SWIVEL FEMALE 45° SWEPT



PART NUMBER	DESCRIPTION	HEX	A	B1	B2	C1	C2	C3	£ PRICE
2B45/4	1/4 BSP X 1/4 BSP								2.82
2B45/6	3/8 BSP X 3/8 BSP								3.40
2B45/8	1/2 BSP X 1/2 BSP								3.95
2B45/10	5/8 BSP X 5/8 BSP								7.51
2B45/12	3/4 BSP X 3/4 BSP								7.51
2B45/16	1 BSP X 1 BSP								14.63
2B45/20	1 1/4 BSP X 1 1/4 BSP								20.44
2B45/24	1 1/2 BSP X 1 1/2 BSP								41.05
2B45/32	2 BSP X 2 BSP								59.50

Further information on other sizes is available on request and all dimensions are in millimetres

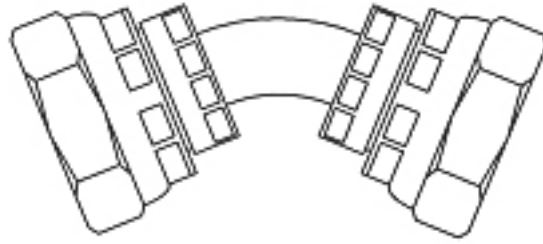
# BSP SWIVEL FEMALE X BSP SWIVEL FEMALE 90° SWEPT



PART NUMBER	DESCRIPTION	HEX	A	B1	B2	C1	C2	C3	£ PRICE
3B90/4	1/4 BSP X 1/4 BSP								2.90
3B90/6	3/8 BSP X 3/8 BSP								3.62
3B90/8	1/2 BSP X 1/2 BSP								4.12
3B90/10	5/8 BSP X 5/8 BSP								7.51
3B90/12	3/4 BSP X 3/4 BSP								7.51
3B90/16	1 BSP X 1 BSP								13.30
3B90/20	1 1/4 BSP X 1 1/4 BSP								20.44
3B90/24	1 1/2 BSP X 1 1/2 BSP								41.05
3B90/32	2 BSP X 2 BSP								59.50

Further information on other sizes is available on request and all dimensions are in millimetres

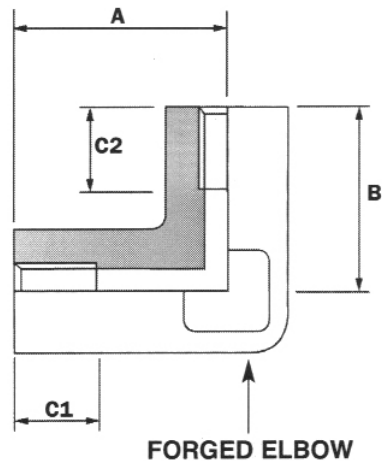
# BSP SWIVEL FEMALE X BSP SWIVEL FEMALE 45° SWEPT



PART NUMBER	DESCRIPTION	HEX	A	B1	B2	C1	C2	C3	£ PRICE
3B45/4	1/4 BSP X 1/4 BSP								2.90
3B45/6	3/8 BSP X 3/8 BSP								3.62
3B45/8	1/2 BSP X 1/2 BSP								4.12
3B45/10	5/8 BSP X 5/8 BSP								7.51
3B45/12	3/4 BSP X 3/4 BSP								7.51
3B45/16	1 BSP X 1 BSP								14.63
3B45/20	1 1/4 BSP X 1 1/4 BSP								20.44
3B45/24	1 1/2 BSP X 1 1/2 BSP								41.05
3B45/32	2 BSP X 2 BSP								59.50

Further information on other sizes is available on request and all dimensions are in millimetres

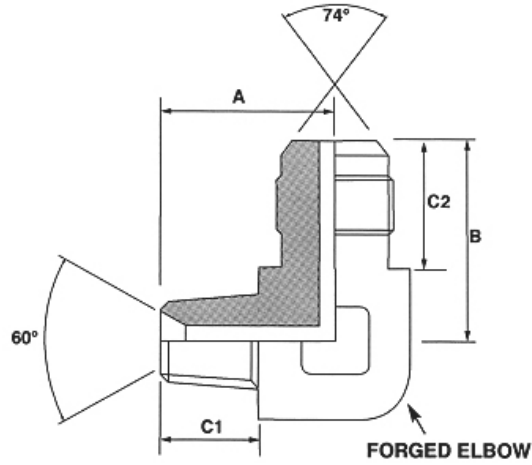
# BSP FIXED FEMALE X BSP FIXED FEMALE 90° COMPACT



PART NUMBER	DESCRIPTION	HEX	A	B1	B2	C1	C2	C3	£ PRICE
7B90/2	1/8 BSP X 1/8 BSP		17.00	17.00		12.00	12.00		4.90
7B90/4	1/4 BSP X 1/4 BSP		22.50	22.50		12.50	12.50		3.80
7B90/6	3/8 BSP X 3/8 BSP		26.00	26.00		14.00	14.00		4.66
7B90/8	1/2 BSP X 1/2 BSP		31.00	31.00		17.00	17.00		5.75
7B90/12	3/4 BSP X 3/4 BSP		34.50	34.50		19.00	19.00		7.77
7B90/16	1 BSP X 1 BSP		41.50	41.50		22.00	22.00		11.26

Further information on other sizes is available on request and all dimensions are in millimetres

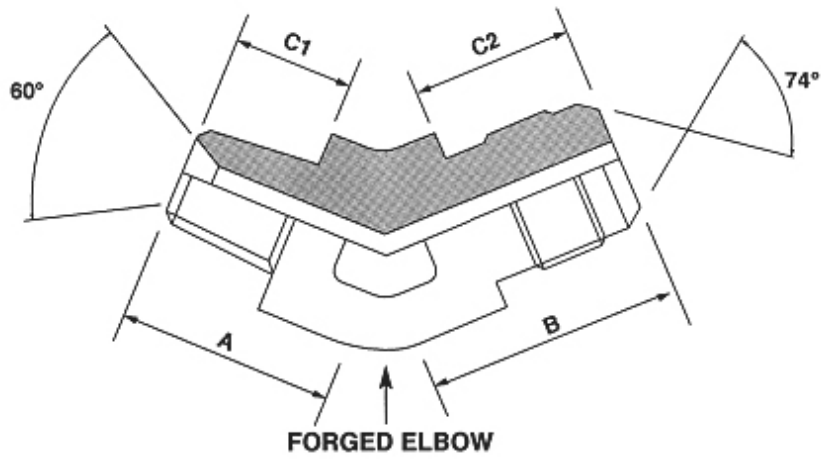
# NPT MALE X JIC MALE 90° COMPACT



PART NUMBER	DESCRIPTION	HEX	A	B1	B2	C1	C2	C3	£ PRICE
X1NJ/4	1/4 NPT X 7/16 JIC		30.00	30.00		14.00	13.97		3.49
X1NJ/4-5	1/4 NPT X 1/2 JIC		30.00	30.00		14.00	13.97		3.49
X1NJ/4-6	1/4 NPT X 9/16 JIC		30.00	30.00		14.00	13.97		3.49
X1NJ/6	3/8 NPT X 9/16 JIC		30.00	30.00		14.00	13.97		3.49
X1NJ/6-8	3/8 NPT X 3/4 JIC		38.00	38.00		14.00	16.76		4.50
X1NJ/8	1/2 NPT X 3/4 JIC		38.00	38.00		19.00	16.76		4.50
X1NJ/8-10	1/2 NPT X 7/8 JIC		42.00	42.00		19.00	19.30		5.51
X1NJ/12	3/4 NPT X 1 1/16 JIC		43.00	43.00		19.00	21.84		7.10
X1NJ/16	1 NPT X 1 5/16 JIC		44.00	44.00		23.00	23.11		13.88

Further information on other sizes is available on request and all dimensions are in millimetres

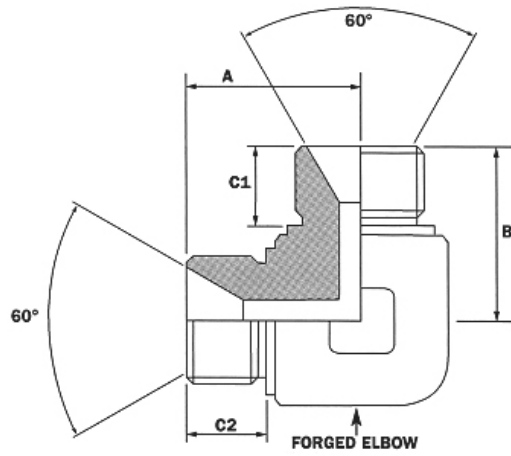
## NPT MALE X JIC MALE 45° COMPACT



PART NUMBER	DESCRIPTION	HEX	A	B1	B2	C1	C2	C3	£ PRICE
X1NJ45/4	1/4 NPT X 7/16 JIC		30.00	30.00		14.00	13.97		3.49
X1NJ45/4-5	1/4 NPT X 1/2 JIC		30.00	30.00		14.00	13.97		3.49
X1NJ45/4-6	1/4 NPT X 9/16 JIC		30.00	30.00		14.00	13.97		3.89
X1NJ45/6	3/8 NPT X 9/16 JIC		30.00	30.00		14.00	13.97		3.49
X1NJ45/6-8	3/8 NPT X 3/4 JIC		38.00	38.00		14.00	16.76		4.66
X1NJ45/8	1/2 NPT X 3/4 JIC		38.00	38.00		19.00	16.76		4.66
X1NJ45/8-10	1/2 NPT X 7/8 JIC		42.00	42.00		19.00	19.30		5.60
X1NJ45/12	3/4 NPT X 1 1/16 JIC		43.00	43.00		19.00	21.84		7.20
X1NJ45/16	1 NPT X 1 5/16 JIC		44.00	44.00		23.00	23.11		9.80

Further information on other sizes is available on request and all dimensions are in millimetres

# BSP MALE X BSP MALE 90° COMPACT FOR BONDED SEAL

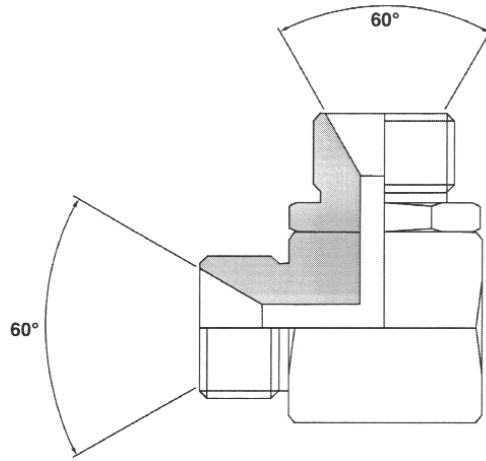


PART NUMBER	DESCRIPTION	HEX	A	B1	B2	C1	C2	C3	£ PRICE
X10/2	1/8 BSP X 1/8 BSP		27.00	27.00		10.16	10.16		6.24
X10/4	1/4 BSP X 1/4 BSP		30.00	30.00		11.00	11.00		2.57
X10/6	3/8 BSP X 3/8 BSP		32.00	32.00		12.70	12.70		3.63
X10/8	1/2 BSP X 1/2 BSP		38.00	38.00		15.24	15.24		3.94
X10/10	5/8 BSP X 5/8 BSP		42.00	42.00		16.00	16.00		10.53
X10/12	3/4 BSP X 3/4 BSP		42.00	42.00		17.00	17.00		6.26
X10/16	1 BSP X 1 BSP		44.00	44.00		19.05	19.05		9.15
X10/20	1 1/4 BSP X 1 1/4 BSP								36.18

Further information on other sizes is available on request and all dimensions are in millimetres



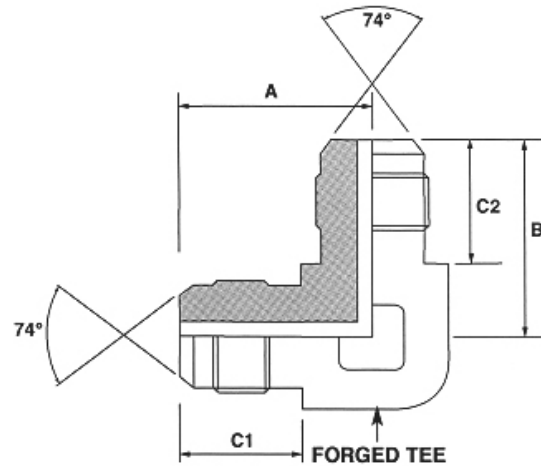
# BSP MALE X BSP MALE 90° COMPACT FOR BONDED SEAL FABRICATED



PART NUMBER	DESCRIPTION	HEX	A	B1	B2	C1	C2	C3	£ PRICE
X10F/2	1/8 BSP X 1/8 BSP								4.40
X10F/4	1/4 BSP X 1/4 BSP								2.50
X10F/4-6	1/4 BSP X 3/8 BSP								4.40
X10F/6	3/8 BSP X 3/8 BSP								3.10
X10F/6-8	3/8 BSP X 1/2 BSP								4.59
X10F/8	1/2 BSP X 1/2 BSP								3.71
X10F/8-12	1/2 BSP X 3/4 BSP								6.90
X10F/10	5/8 BSP X 5/8 BSP								6.90
X10F/12	3/4 BSP X 3/4 BSP								6.02
X10F/12-16	3/4 BSP X 1 BSP								11.56
X10F/16	1 BSP X 1 BSP								9.15
X10F/20	1 1/4 BSP X 1 1/4 BSP								25.05
X10F/24	1 1/2 BSP X 1 1/2 BSP								47.49
X10F/32	2 BSP X 2 BSP								64.20

Further information on other sizes is available on request and all dimensions are in millimetres

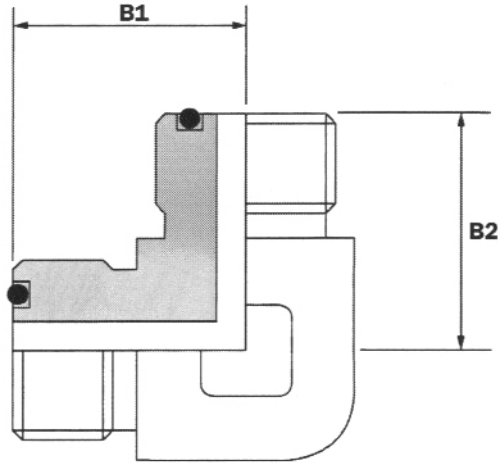
# JIC MALE X JIC MALE 90° COMPACT



PART NUMBER	DESCRIPTION	HEX	A	B1	B2	C1	C2	C3	£ PRICE
X10J/4	7/16 JIC X 7/16 JIC		30.00	30.00		13.97	13.97		3.20
X10J/5	1/2 JIC X 1/2 JIC		30.00	30.00		13.97	13.97		3.20
X10J/6	9/16 JIC X 9/16 JIC		30.00	30.00		13.97	13.97		3.55
X10J/8	3/4 JIC X 3/4 JIC		38.00	38.00		16.76	16.76		5.11
X10J/10	7/8 JIC X 7/8 JIC		42.00	42.00		19.30	19.30		5.44
X10J/12	1 1/16 JIC X 1 1/16 JIC		43.00	43.00		21.84	21.84		6.50
X10J/16	1 5/16 JIC X 1 5/16 JIC		44.00	44.00		23.11	23.11		11.89

Further information on other sizes is available on request and all dimensions are in millimetres

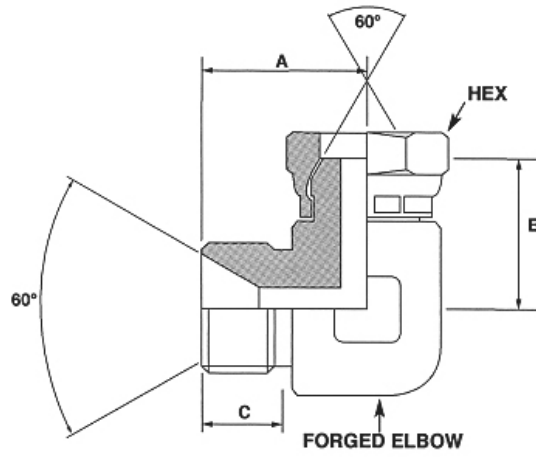
# ORFS MALE X ORFS MALE 90°



PART NUMBER	DESCRIPTION	HEX	A	B1	B2	C1	C2	C3	£ PRICE
X10OR/9-9	9/16 ORFS X 9/16 ORFS			21.50	21.50				3.66
X10OR/11-11	11/16 ORFS X 11/16 ORFS			25.00	25.00				4.45
X10OR/13-13	13/16 ORFS X 13/16 ORFS			28.00	28.00				5.63
X10OR/16-16	1" ORFS X 1" ORFS			33.50	33.50				7.57
X10OR/19-19	1 3/16 ORFS X 1 3/16 ORFS			37.50	37.50				9.46
X10OR/23-23	1 7/16 ORFS X 1 7/16 ORFS			42.00	42.00				16.15

Further information on other sizes is available on request and all dimensions are in millimetres

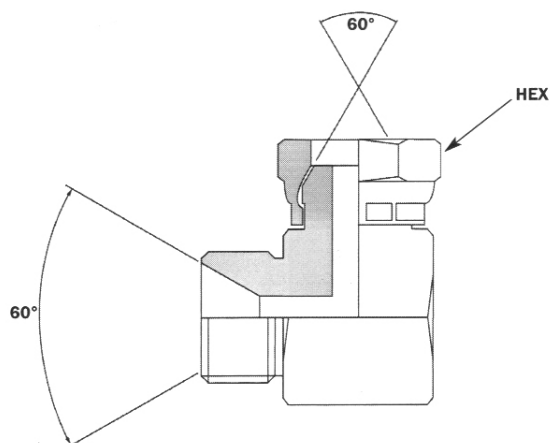
# BSP MALE X BSP SWIVEL FEMALE 90° COMPACT



PART NUMBER	DESCRIPTION	HEX	A	B1	B2	C1	C2	C3	£ PRICE
X11/4	1/4 BSP X 1/4 BSP	19.00	30.00	30.00		11.00			2.88
X11/6	3/8 BSP X 3/8 BSP	22.00	32.00	32.00		12.70			4.04
X11/8	1/2 BSP X 1/2 BSP	27.00	38.00	38.00		15.24			4.32
X11/12	3/4 BSP X 3/4 BSP	32.00	42.00	42.00		17.00			6.66
X11/16	1 BSP X 1 BSP	41.00	44.00	44.00		19.05			12.20
X11/20	1 1/4 BSP X 1 1/4 BSP	50.00	45.00	45.32		20.32			22.75

Further information on other sizes is available on request and all dimensions are in millimetres

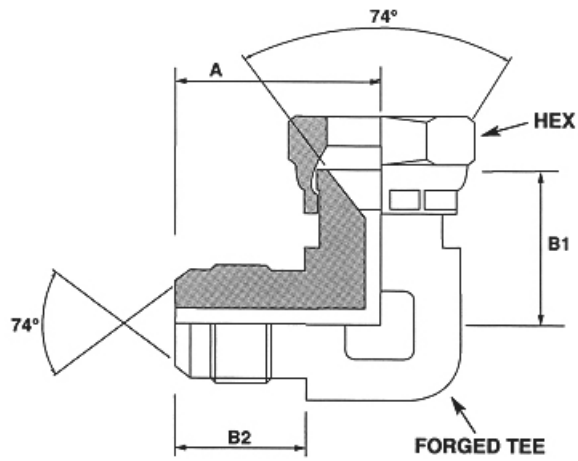
# BSP MALE FOR BONDED SEAL X BSP SWIVEL FEMALE 90° COMPACT FABRICATED



PART NUMBER	DESCRIPTION	HEX	A	B1	B2	C1	C2	C3	£ PRICE
X11F/2	1/8 BSP X 1/8 BSP								2.91
X11F/4	1/4 BSP X 1/4 BSP								2.70
X11F/6-4	3/8 BSP X 1/4 BSP								3.15
X11F/6	3/8 BSP X 3/8 BSP								2.91
X11F/8	1/2 BSP X 1/2 BSP								3.79
X11F/12	3/4 BSP X 3/4 BSP								6.66
X11F/12-16	3/4 BSP X 1 BSP								7.62
X11F/16	1 BSP X 1 BSP								11.10
X11F/20	1 1/4 BSP X 1 1/4 BSP								26.80
X11F/24	1 1/2 BSP X 1 1/2 BSP								47.95
X11F/32	2 BSP X 2 BSP								68.75

Further information on other sizes is available on request and all dimensions are in millimetres

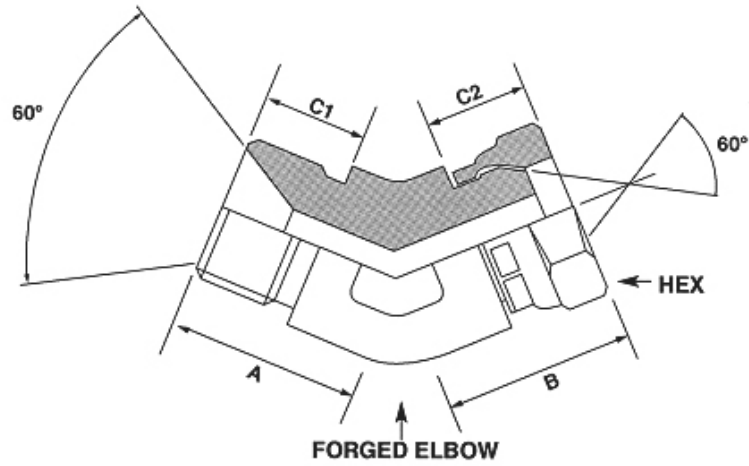
# JIC MALE X JIC SWIVEL FEMALE 90° COMPACT



PART NUMBER	DESCRIPTION	HEX	A	B1	B2	C1	C2	C3	£ PRICE
X11J/4	7/16 JIC X 7/16 JIC	14.00	30.00	29.00	13.97				4.77
X11J/5	1/2 JIC X 1/2 JIC	17.00	30.00	29.00	13.97				4.77
X11J/6	9/16 JIC X 9/16 JIC	19.00	30.00	29.00	13.97				4.77
X11J/8	3/4 JIC X 3/4 JIC	22.00	38.00	37.00	16.76				5.90
X11J/10	7/8 JIC X 7/8 JIC	27.00	42.00	41.00	19.30				6.96
X11J/12	1 1/16 JIC X 1 1/16 JIC	32.00	43.00	42.00	21.84				10.11
X11J/16	1 5/16 JIC X 1 5/16 JIC	38.00	44.00	43.00	23.11				15.90

Further information on other sizes is available on request and all dimensions are in millimetres

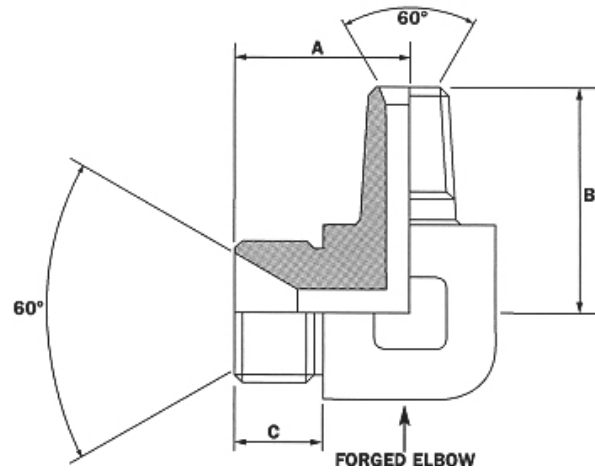
# BSP MALE X BSP SWIVEL FEMALE 45° COMPACT



PART NUMBER	DESCRIPTION	HEX	A	B1	B2	C1	C2	C3	£ PRICE
X11/45-4	1/4 BSP X 1/4 BSP	19.00	30.00	30.00		11.00	11.94		3.10
X11/45-6	3/8 BSP X 3/8 BSP	22.00	30.00	30.00		12.70	13.21		4.10
X11/45-8	1/2 BSP X 1/2 BSP	27.00	34.00	34.00		15.24	14.22		4.95
X11/45-10	5/8 BSP X 5/8 BSP	30.00	37.50	37.50		16.00	14.73		8.44
X11/45-12	3/4 BSP X 3/4 BSP	32.00	37.50	37.50		17.00	14.73		7.50
X11/45-16	1 BSP X 1 BSP	41.00	46.00	46.00		19.05	16.76		12.99

Further information on other sizes is available on request and all dimensions are in millimetres

## BSP MALE X BSPT MALE 90° COMPACT

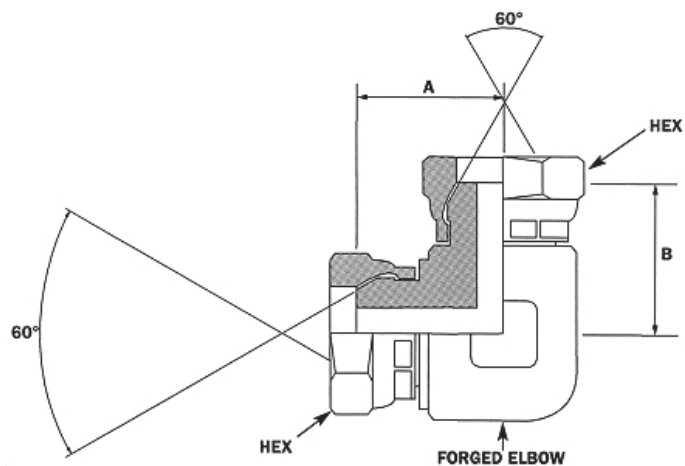


PART NUMBER	DESCRIPTION	HEX	A	B1	B2	C1	C2	C3	£ PRICE
X14/2	1/8 BSP X 1/8 BSPT		30.00	26.00		10.16			4.58
X14/4	1/4 BSP X 1/4 BSPT		30.00	30.00		11.00			4.50
X14/6	3/8 BSP X 3/8 BSPT		32.00	32.00		12.70			5.25
X14/8	1/2 BSP X 1/2 BSPT		38.00	38.00		15.24			6.11
X14/12	3/4 BSP X 3/4 BSPT		40.00	42.00		17.00			9.20
X14/16	1 BSP X 1 BSPT		44.00	44.00		19.05			12.95

Further information on other sizes is available on request and all dimensions are in millimetres



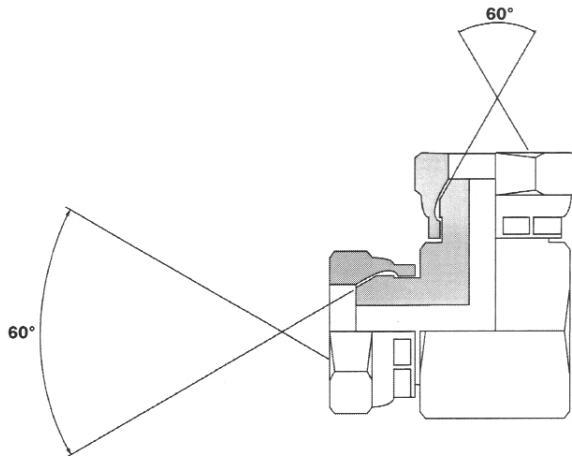
# BSP SWIVEL FEMALE X BSP SWIVEL FEMALE 90° COMPACT



PART NUMBER	DESCRIPTION	HEX	A	B	B2	C1	C2	C3	£ PRICE
X20/4	1/4 BSP X 1/4 BSP	19.00	18.00	18.00					4.69
X20/6	3/8 BSP X 3/8 BSP	22.00	23.40	23.40					4.99
X20/8	1/2 BSP X 1/2 BSP	27.00	25.60	25.60					6.50
X20/10	5/8 BSP X 5/8 BSP	30.00	30.00	30.00					9.50
X20/12	3/4 BSP X 3/4 BSP	32.00	33.00	33.00					9.50
X20/16	1 BSP X 1 BSP	41.00	42.40	42.40					12.48
X20/20	1 1/4 BSP X 1 1/4 BSP	50.00	50.00	50.00					25.97

Further information on other sizes is available on request and all dimensions are in millimetres

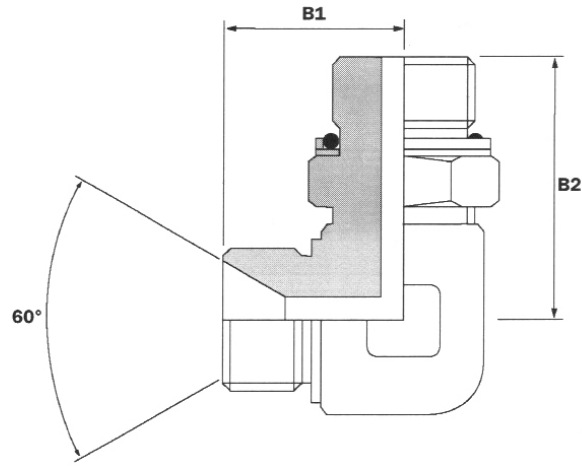
# BSP SWIVEL FEMALE X BSP SWIVEL FEMALE 90° COMPACT FABRICATED



PART NUMBER	DESCRIPTION	HEX	A	B1	B2	C1	C2	C3	£ PRICE
X20F/2	1/8 BSP X 1/8 BSP								4.33
X20F/4	1/4 BSP X 1/4 BSP								3.25
X20F/4-6	1/4 BSP X 3/8 BSP								4.38
X20F/6	3/8 BSP X 3/8 BSP								3.90
X20F/8	1/2 BSP X 1/2 BSP								4.85
X20F/10	5/8 BSP X 5/8 BSP								7.15
X20F/12	3/4 BSP X 3/4 BSP								7.47
X20F/12-16	3/4 BSP X 1 BSP								11.37
X20F/16	1 BSP X 1 BSP								9.88
X20F/20	1 1/4 BSP X 1 1/4 BSP								22.75
X20F/24	1 1/2 BSP X 1 1/2 BSP								52.00
X20F/32	2 BSP X 2 BSP								71.77

Further information on other sizes is available on request and all dimensions are in millimetres

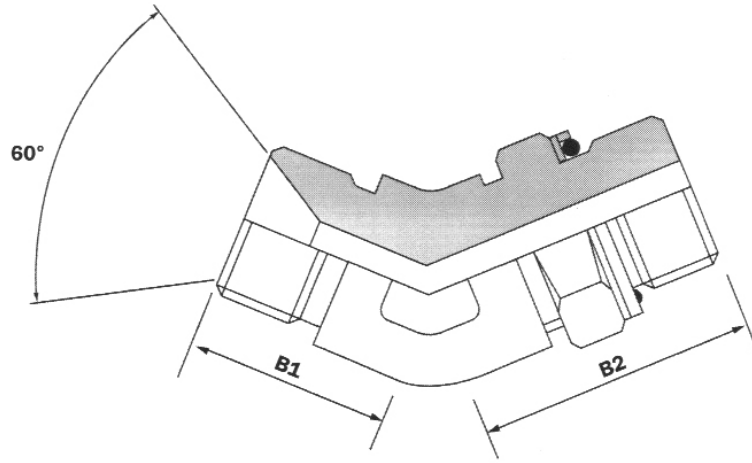
## BSP MALE X BSP MALE ADJUSTABLE 90°



PART NUMBER	DESCRIPTION	HEX	A	B1	B2	C1	C2	C3	£ PRICE
X10A/2-2	1/8 BSP X 1/8 BSP ADJ			24.00	31.50				10.85
X10A/4-4	1/4 BSP X 1/4 BSP ADJ			27.00	31.50				6.45
X10A/6-6	3/8 BSP X 3/8 BSP ADJ			29.00	37.00				7.10
X10A/8-8	1/2 BSP X 1/2 BSP ADJ			34.00	43.00				7.95
X10A/12-12	3/4 BSP X 3/4 BSP ADJ			41.00	50.00				10.55
X10A/16-16	1" BSP X 1" BSP ADJ			46.00	53.00				12.90

Further information on other sizes is available on request and all dimensions are in millimetres

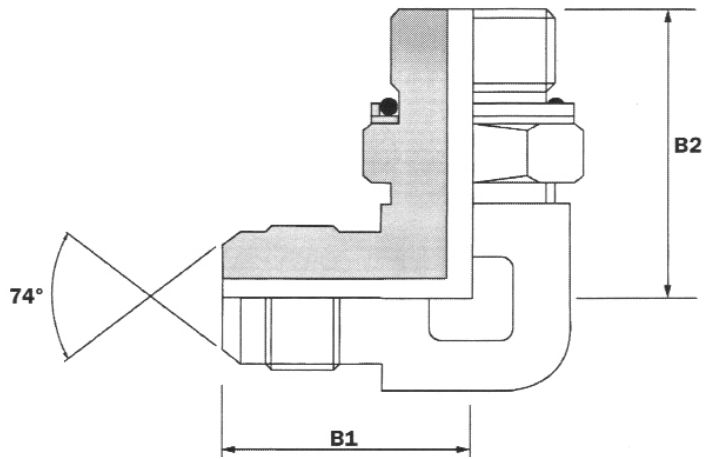
## BSP MALE X BSP MALE ADJUSTABLE 45°



PART NUMBER	DESCRIPTION	HEX	A	B1	B2	C1	C2	C3	£ PRICE
X11A/4-4	1/4 BSP X 1/4 BSP ADJ			21.00	28.00				6.50
X11A/6-6	3/8 BSP X 3/8 BSP ADJ			25.00	33.00				6.50
X11A/8-8	1/2 BSP X 1/2 BSP ADJ			28.00	38.00				8.25
X11A/12-12	3/4 BSP X 3/4 BSP ADJ			32.00	44.00				10.92
X11A/16-16	1" BSP X 1" BSP ADJ			37.00	47.00				15.70

Further information on other sizes is available on request and all dimensions are in millimetres

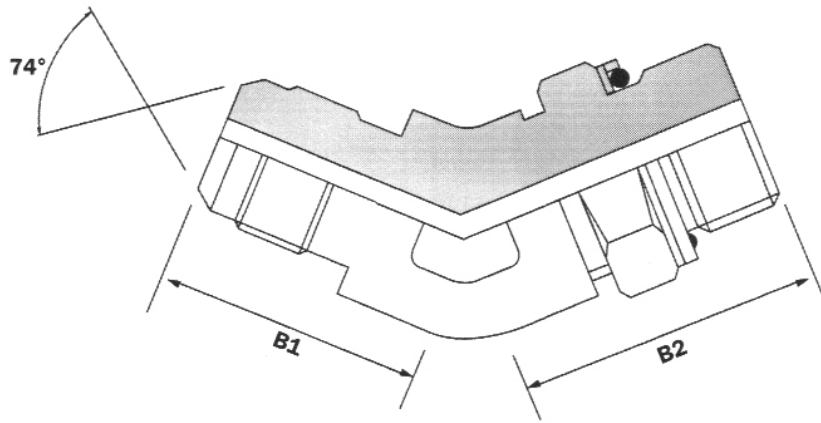
## JIC MALE X BSP MALE ADJUSTABLE 90°



PART NUMBER	DESCRIPTION	HEX	A	B1	B2	C1	C2	C3	£ PRICE
XJB10A/4-2	7/16 JIC X 1/8 BSP ADJ			22.50	26.00				7.56
XJB10A/4-4	7/16 JIC X 1/4 BSP ADJ			27.00	31.50				5.25
XJB10A/6-4	9/16 JIC X 1/4 BSP ADJ			27.00	31.50				5.25
XJB10A/8-4	3/4 JIC X 1/4 BSP ADJ			31.50	33.50				18.20
XJB10A/6-6	9/16 JIC X 3/8 BSP ADJ			28.50	36.50				6.50
XJB10A/8-6	3/4 JIC X 3/8 BSP ADJ			31.50	36.50				6.60
XJB10A/10-6	7/8 JIC X 3/8 BSP ADJ			36.50	39.50				14.55
XJB10A/6-8	9/16 JIC X 1/2 BSP ADJ			31.00	43.00				10.44
XJB10A/8-8	3/4 JIC X 1/2 BSP ADJ			34.00	43.00				7.98
XJB10A/10-8	7/8 JIC X 1/2 BSP ADJ			36.50	43.00				7.98
XJB10A/12-8	1 1/16 JIC X 1/2 BSP ADJ			42.00	45.50				15.95
XJB10A/8-12	3/4 JIC X 3/4 BSP ADJ			37.00	49.00				19.66
XJB10A/10-12	7/8 JIC X 3/4 BSP ADJ			39.50	49.00				19.66
XJB10A/12-12	1 1/16 JIC X 3/4 BSP ADJ			42.00	49.00				11.33
XJB10A/16-12	1 5/16 JIC X 3/4 BSP ADJ			46.00	52.00				34.45
XJB10A/12-16	1 1/16 JIC X 1" BSP ADJ			44.50	52.00				34.45
XJB10A/16-16	1 5/16 JIC X 1" BSP ADJ			46.00	52.00				18.51
XJB10A/16-20	1 5/16 JIC X 1 1/4 BSP			51.00	57.00				55.96
XJB10A/20-20	1 5/8 JIC X 1 1/4 BSP			52.00	57.00				40.75

Further information on other sizes is available on request and all dimensions are in millimetres

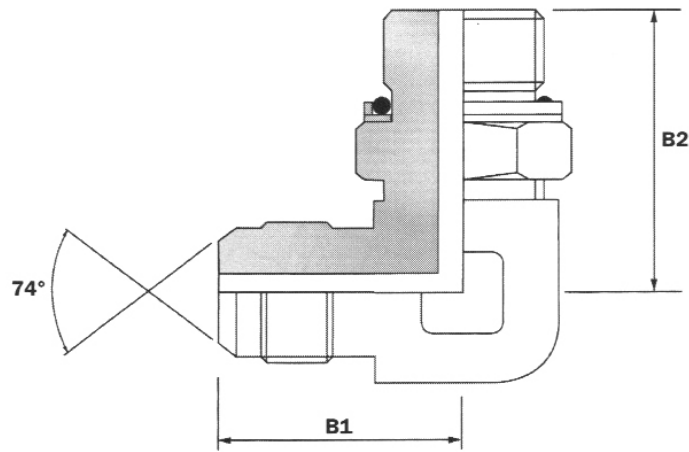
## JIC MALE X BSP MALE ADJUSTABLE 45°



PART NUMBER	DESCRIPTION	HEX	A	B1	B2	C1	C2	C3	£ PRICE
XJB11A/4-2	7/16 JIC X 1/8 BSP ADJ			18.00	26.50				12.50
XJB11A/4-4	7/16 JIC X 1/4 BSP ADJ			21.00	29.00				14.51
XJB11A/6-4	9/16 JIC X 1/4 BSP ADJ			21.00	29.00				14.50
XJB11A/8-6	3/4 JIC X 3/8 BSP ADJ			25.00	33.00				18.10
XJB11A/8-8	3/4 JIC X 1/2 BSP ADJ			25.50	38.50				18.10
XJB11A/10-8	7/8 JIC X 1/2 BSP ADJ			28.00	38.50				18.50
XJB11A/12-12	1 1/16 JIC X 3/4 BSP ADJ			32.50	44.00				20.50
XJB11A/16-16	1 5/16 JIC X 1" BSP ADJ			37.00	47.00				24.56

Further information on other sizes is available on request and all dimensions are in millimetres

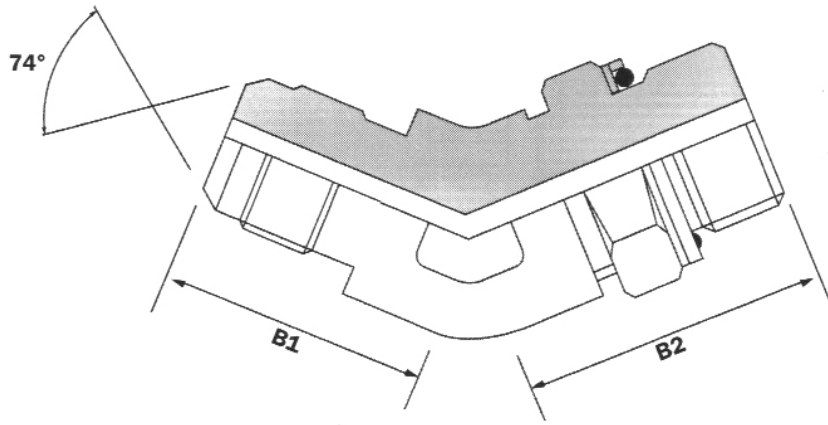
# JIC MALE X UNF MALE ADJUSTABLE 90°



PART NUMBER	DESCRIPTION	HEX	A	B1	B2	C1	C2	C3	£ PRICE
XJU10A/4-4	7/16 JIC X 7/16 UNF ADJ			22.50	26.00				4.79
XJU10A/5-5	1/2 JIC X 1/2 UNF ADJ			24.00	27.50				4.79
XJU10A/6-6	9/16 JIC X 9/16 UNF ADJ			27.00	31.50				4.79
XJU10A/8-8	3/4 JIC X 3/4 UNF ADJ			31.50	36.50				6.50
XJU10A/10-8	7/8 JIC X 3/4 UNF ADJ			36.50	39.50				8.77
XJU10A/10-10	7/8 JIC X 7/8 UNF ADJ			36.50	43.00				8.77
XJU10A/12-12	1 1/16 JIC X 1 1/16 UNF ADJ			42.00	49.00				12.08
XJU10A/16-16	1 5/16 JIC X 1 5/16 UNF ADJ			46.00	52.00				19.80
XJU10A/20-20	1 5/8 JIC X 1 5/8 UNF ADJ			52.00	57.00				23.10

Further information on other sizes is available on request and all dimensions are in millimetres

## JIC MALE X UNF MALE ADJUSTABLE 45°

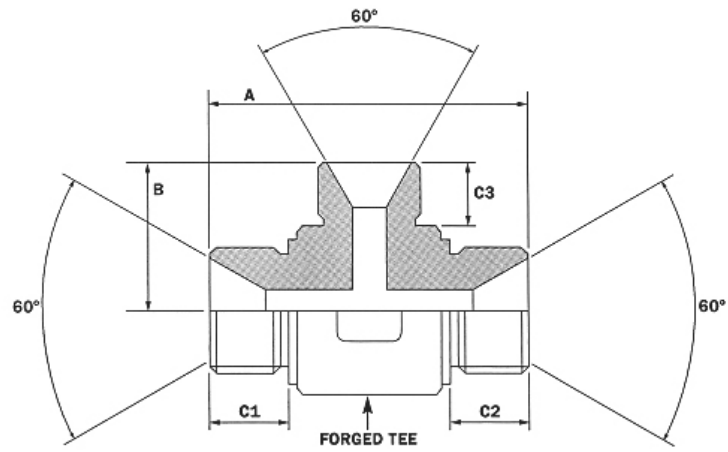


PART NUMBER	DESCRIPTION	HEX	A	B1	B2	C1	C2	C3	£ PRICE
XJU11A/4-4	7/16 JIC X 7/16 UNF ADJ			18.00	26.50				4.77
XJU11A/5-5	1/2 JIC X 1/2 UNF ADJ			19.50	26.50				4.77
XJU11A/6-6	9/16 JIC X 9/16 UNF ADJ			21.00	29.00				4.77
XJU11A/8-8	3/4 JIC X 3/4 UNF ADJ			25.00	33.00				6.50
XJU11A/10-10	7/8 JIC X 7/8 UNF ADJ			28.00	38.50				8.66
XJU11A/12-12	1 1/16 JIC X 1 1/16 UNF ADJ			32.50	44.00				12.10
XJU11A/16-16	1 5/16 JIC X 1 5/16 UNF ADJ			37.00	47.00				19.78
XJU11A/20-20	1 5/8 JIC X 1 5/8 UNF ADJ			40.50	48.50				42.10

Further information on other sizes is available on request and all dimensions are in millimetres



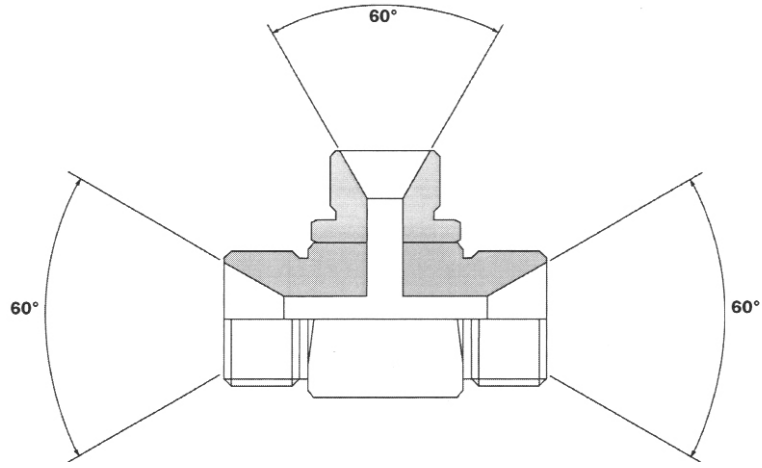
# BSP MALE TEE FOR BONDED SEAL



PART NUMBER	DESCRIPTION	HEX	A	B	B2	C1	C2	C3	£ PRICE
Z10/4-4-4	1/4 X 1/4 X 1/4		54.00	27.00		11.00	11.00	11.00	5.10
Z10/6-6-6	3/8 X 3/8 X 3/8		54.00	37.00		12.70	12.70	15.24	7.98
Z10/8-8-8	1/2 X 1/2 X 1/2		64.00	37.00		15.24	15.24	15.24	7.98
Z10/10-10-10	5/8 X 5/8 X 5/8		75.00	40.00		16.00	16.00	16.00	13.90
Z10/12-12-12	3/4 X 3/4 X 3/4		77.00	41.00		17.00	17.00	17.00	8.98
Z10/16-16-16	1 X 1 X 1		90.00	43.00		19.05	19.05	19.05	15.30

Further information on other sizes is available on request and all dimensions are in millimetres

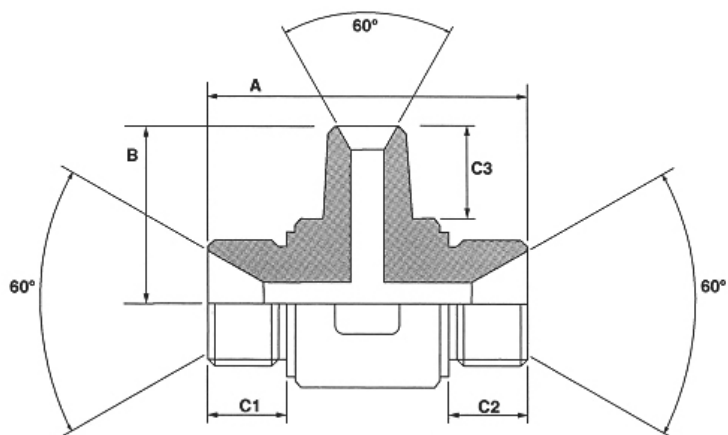
# BSP MALE TEE FOR BONDED SEAL FABRICATED



PART NUMBER	DESCRIPTION	HEX	A	B1	B2	C1	C2	C3	£ PRICE
Z10F/2	1/8 X 1/8 X 1/8								4.22
Z10F/4	1/4 X 1/4 X 1/4								3.21
Z10F/6	3/8 X 3/8 X 3/8								3.52
Z10F/8	1/2 X 1/2 X 1/2								4.30
Z10F/10	5/8 X 5/8 X 5/8								9.50
Z10F/12	3/4 X 3/4 X 3/4								8.20
Z10F/16	1 X 1 X 1								12.90
Z10F/20	1 1/4 X 1 1/4 X 1 1/4								33.20
Z10F/24	1 1/2 X 1 1/2 X 1 1/2								47.95
Z10F/32	2 X 2 X 2								99.20

Further information on other sizes is available on request and all dimensions are in millimetres

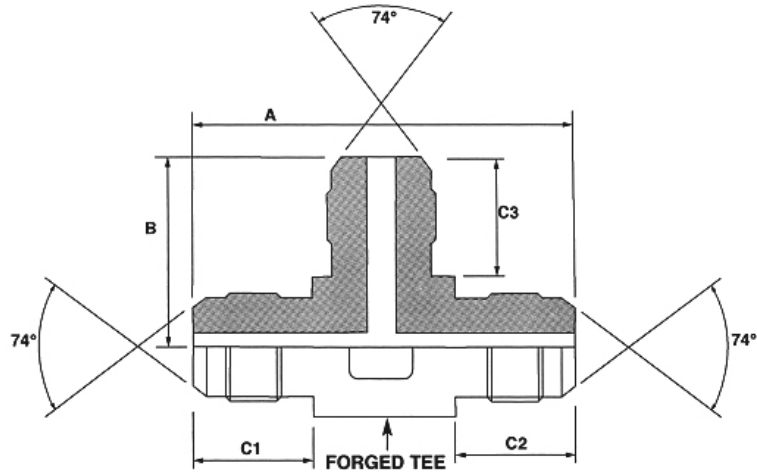
# BSP MALE X BSP MALE FOR BONDED SEAL X BSPT MALE TEE FABRICATED



PART NUMBER	DESCRIPTION	HEX	A	B1	B2	C1	C2	C3	£ PRICE
Z10T/4	1/4 BSP X 1/4 BSP X 1/4 BSPT		54.00	27.00		11.00	11.00	16.51	3.90
Z10T/6	3/8 BSP X 3/8 BSP X 3/8 BSPT		64.00	27.00		12.70	12.70	17.27	4.28
Z10T/8	1/2 BSP X 1/2 BSP X 1/2 BSPT		64.00	32.00		15.24	15.24	21.59	5.21
Z10T/10	5/8 BSP X 5/8 BSP X 5/8 BSPT		75.00	32.00		16.00	16.00	21.84	8.99
Z10T/12	3/4 BSP X 3/4 BSP X 3/4 BSPT		77.00	32.00		17.00	17.00	22.10	8.99
Z10T/16	1 BSP X 1 BSP X 1 BSPT		90.00	45.00		19.05	19.05	27.94	14.99

Further information on other sizes is available on request and all dimensions are in millimetres

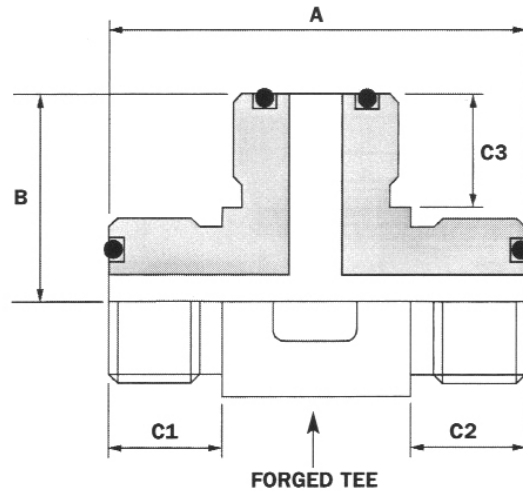
# JIC MALE X JIC MALE X JIC MALE TEE



PART NUMBER	DESCRIPTION	HEX	A	B1	B2	C1	C2	C3	£ PRICE
Z10J/4-4-4	7/16 JIC X 7/16 JIC X 7/16 JIC		54.00	27.00		13.97	13.97	13.97	3.40
Z10J/5-5-5	1/2 JIC X 1/2 JIC X 1/2 JIC		54.00	27.00		13.97	13.97	13.97	5.20
Z10J/6-6-6	9/16 JIC X 9/16 JIC X 9/16 JIC		54.00	27.00		13.97	13.97	13.97	4.10
Z10J/8-8-8	3/4 JIC X 3/4 JIC X 3/4 JIC		64.00	32.00		16.76	16.76	16.76	4.80
Z10J/10-10-10	7/8 JIC X 7/8 JIC X 7/8 JIC		75.00	37.50		19.30	19.30	19.30	6.10
Z10J/12-12-12	1 1/16 JIC X 1 1/16 JIC X 1 1/16 JIC		90.00	45.00		21.84	21.84	21.84	9.42
Z10J/16-16-16	1 5/16 JIC X 1 5/16 JIC X 1 5/16 JIC		90.00	45.00		23.21	23.21	23.21	10.20

Further information on other sizes is available on request and all dimensions are in millimetres

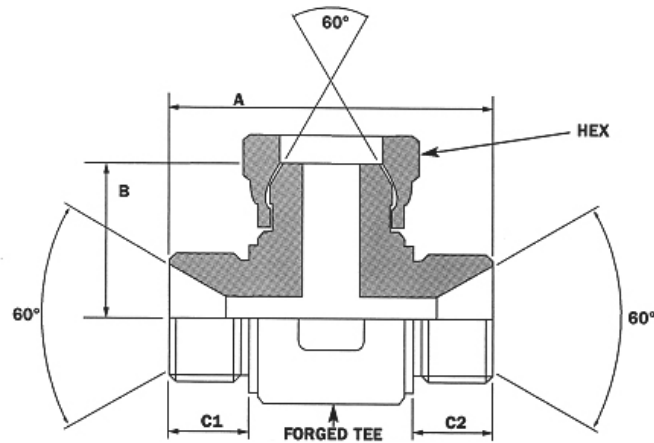
# ORFS MALE TEE



PART NUMBER	DESCRIPTION	HEX	A	B1	B2	C1	C2	C3	£ PRICE
Z10OR/9-9-9	9/16 X 9/16 X 9/16 ORFS		43.00	21.50		10.00	10.00	10.00	5.80
Z10OR/11-11-11	11/16 X 11/16 X 11/16 ORFS		50.00	25.00		11.00	11.00	11.00	5.95
Z10OR/13-13-13	13/16 X 13/16 X 13/16 ORFS		56.00	28.00		13.00	13.00	13.00	7.65
Z10OR/16-16-16	1" X 1" X 1" ORFS		67.00	33.50		15.50	15.50	15.50	10.50
Z10OR/19-19-19	1 3/16 X 1 3/16 X 1 3/16 ORFS		75.00	37.50		17.00	17.00	17.00	12.63
Z10OR/23-23-23	1 7/16 X 1 7/16 X 1 7/16 ORFS		84.00	42.00		17.50	17.50	17.50	21.15

Further information on other sizes is available on request and all dimensions are in millimetres

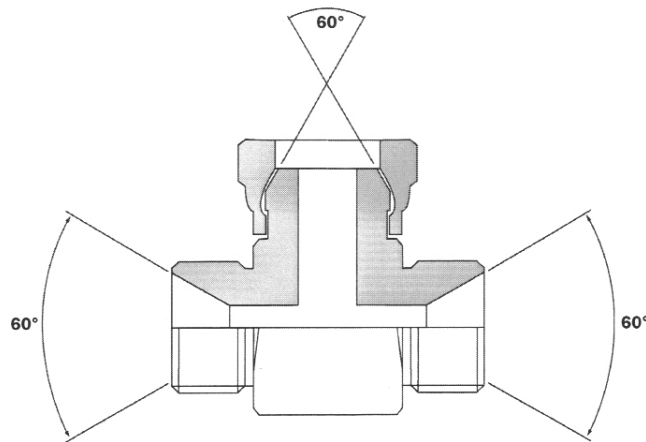
# BSP MALE X BSP MALE FOR BONDED SEAL X BSP SWIVEL FEMALE BRANCH TEE



PART NUMBER	DESCRIPTION	HEX	A	B1	B2	C1	C2	C3	£ PRICE
Z11/4-4-4	1/4 X 1/4 X 1/4	19.00	54.00	27.00		11.00	11.00		4.20
Z11/6-6-6	3/8 X 3/8 X 3/8	22.00	54.00	27.00		12.70	12.70		4.50
Z11/8-8-8	1/2 X 1/2 X 1/2	27.00	64.00	28.50		15.24	15.24		6.40
Z11/10-10-10	5/8 X 5/8 X 5/8	30.00	75.00	34.50		16.00	16.00		11.49
Z11/12-12-12	3/4 X 3/4 X 3/4	32.00	77.00	34.50		17.00	17.00		10.49
Z11/16-16-16	1 X 1 X 1	41.00	90.00	41.50		19.05	19.05		15.20

Further information on other sizes is available on request and all dimensions are in millimetres

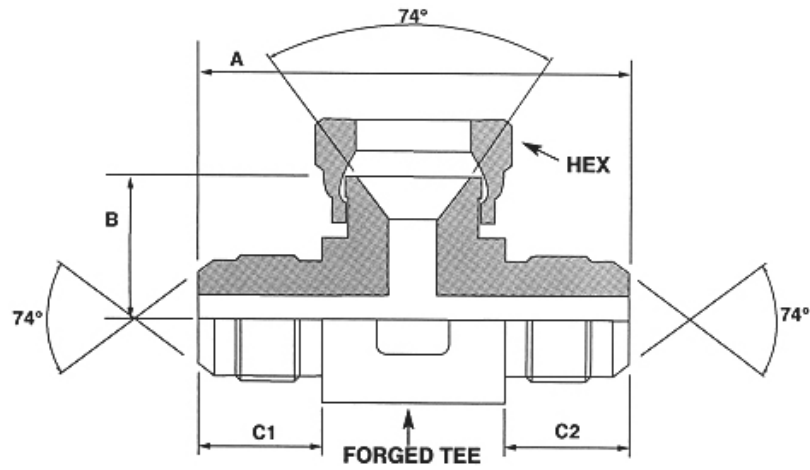
# BSP MALE X BSP MALE FOR BONDED SEAL X BSP SWIVEL FEMALE BRANCH TEE FABRICATED



PART NUMBER	DESCRIPTION	HEX	A	B1	B2	C1	C2	C3	£ PRICE
Z11F/2	1/8 X 1/8 X 1/8								4.87
Z11F/4	1/4 X 1/4 X 1/4								3.50
Z11F/6	3/8 X 3/8 X 3/8								3.67
Z11F/8	1/2 X 1/2 X 1/2								4.79
Z11F/10	5/8 X 5/8 X 5/8								11.70
Z11F/12	3/4 X 3/4 X 3/4								8.90
Z11F/16	1 X 1 X 1								18.50
Z11F/20	1 1/4 X 1 1/4 X 1 1/4								35.20
Z11F/24	1 1/2 X 1 1/2 X 1 1/2								57.22
Z11F/32	2 X 2 X 2								99.20

Further information on other sizes is available on request and all dimensions are in millimetres

# JIC MALE X JIC MALE X JIC SWIVEL FEMALE BRANCH TEE

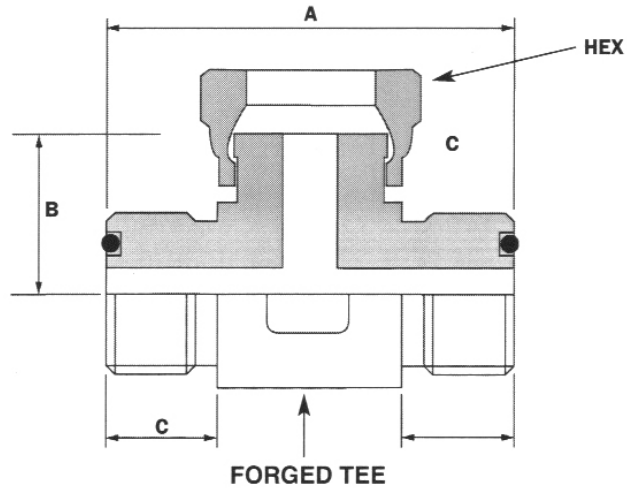


PART NUMBER	DESCRIPTION	HEX	A	B1	B2	C1	C2	C3	£ PRICE
Z11J/4-4-4	7/16 JIC X 7/16 JIC X 7/16 JIC	14.00	54.00	29.00					5.88
Z11J/5-5-5	1/2 JIC X 1/2 JIC X 1/2 JIC	17.00	54.00	29.00					5.88
Z11J/6-6-6	9/16 JIC X 9/16 JIC X 9/16 JIC	19.00	54.00	29.00					5.88
Z11J/8-8-8	3/4 JIC X 3/4 JIC X 3/4 JIC	22.00	64.00	37.00					7.10
Z11J/10-10-10	7/8 JIC X 7/8 JIC X 7/8 JIC	27.00	75.00	41.00					9.10
Z11J/12-12-12	1 1/16 JIC X 1 1/16 JIC X 1 1/16 JIC	32.00	82.00	42.00					12.90
Z11J/16-16-16	1 5/16 JIC X 1 5/16 JIC X 1 5/16 JIC	38.00	90.00	43.00					18.50

Further information on other sizes is available on request and all dimensions are in millimetres



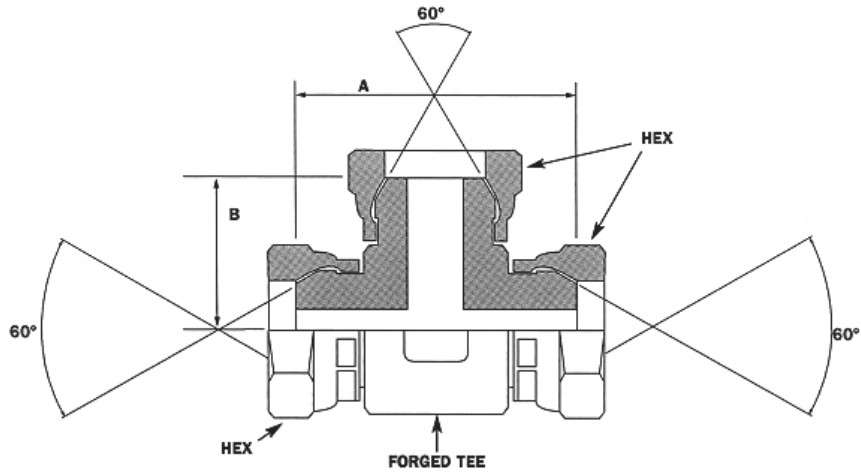
# ORFS MALE X ORFS MALE X ORFS FEMALE TEE



PART NUMBER	DESCRIPTION	HEX	A	B1	B2	C1	C2	C3	£ PRICE
Z11OR/9-9-9	9/16 X 9/16 X 9/16 ORFS	19.00	43.00	34.00		10.00			5.28
Z11OR/11-11-11	11/16 X 11/16 X 11/16 ORFS	22.00	50.00	39.00		11.00			5.85
Z11OR/13-13-13	13/16 X 13/16 X 13/16 ORFS	27.00	56.00	49.00		13.00			7.60
Z11OR/16-16-16	1" X 1" X 1" ORFS	32.00	67.00	54.50		15.50			9.72
Z11OR/19-19-19	1 3/16 X 1 3/16 X 1 3/16 ORFS	38.00	75.00	60.50		17.00			11.44
Z11OR/23-23-23	1 7/16 X 1 7/16 X 1 7/16 ORFS	41.00	84.00	68.50		17.50			17.01

Further information on other sizes is available on request and all dimensions are in millimetres

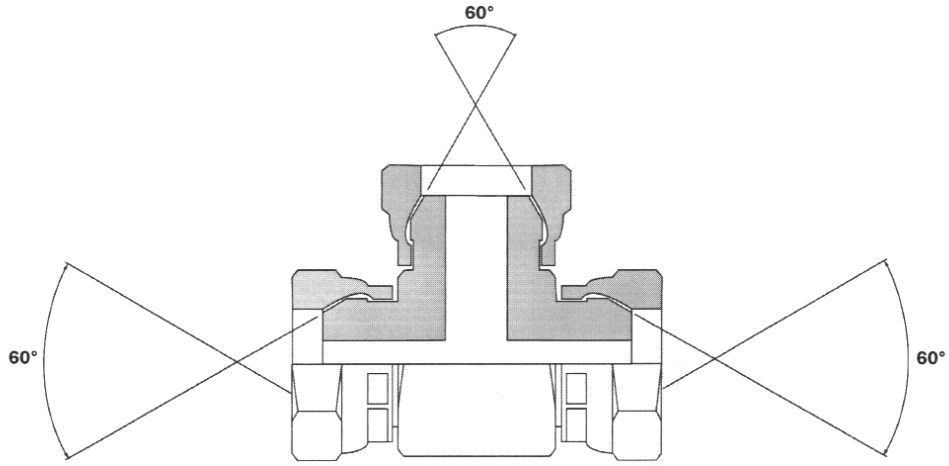
# BSP SWIVEL FEMALE TEE



PART NUMBER	DESCRIPTION	HEX	A	B1	B2	C1	C2	C3	£ PRICE
Z12/4-4-4	1/4 X 1/4 X 1/4 BSP	19.00	54.00	27.00					5.70
Z12/6-6-6	3/8 X 3/8 X 3/8 BSP	22.00	64.00	28.50					6.78
Z12/8-8-8	1/2 X 1/2 X 1/2 BSP	27.00	75.00	34.50					7.20
Z12/10-10-10	5/8 X 5/8 X 5/8 BSP	30.00	84.00	39.50					11.68
Z12/12-12-12	3/4 X 3/4 X 3/4 BSP	32.00	84.00	39.50					11.68
Z12/16-16-16	1 X 1 X 1 BSP	41.00	90.00	41.50					16.22
Z12/20-20-20	1 1/4 X 1 1/4 X 1 1/4 BSP	50.00	93.00	47.00					39.48

Further information on other sizes is available on request and all dimensions are in millimetres

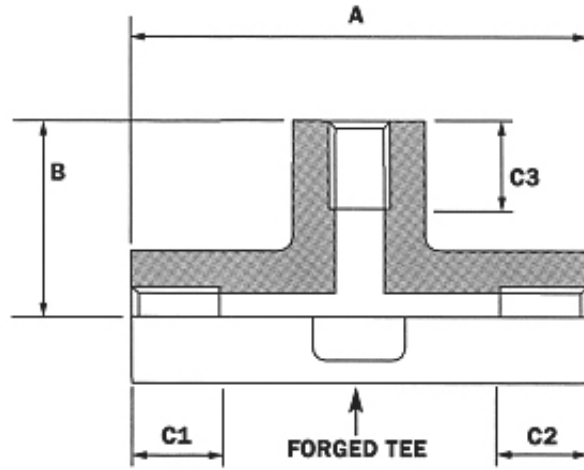
# BSP SWIVEL FEMALE TEE FABRICATED



PART NUMBER	DESCRIPTION	HEX	A	B1	B2	C1	C2	C3	£ PRICE
Z12F/2	1/8 X 1/8 X 1/8								6.38
Z12F/4	1/4 X 1/4 X 1/4								4.28
Z12F/6	3/8 X 3/8 X 3/8								4.87
Z12F/8	1/2 X 1/2 X 1/2								6.05
Z12F/10	5/8 X 5/8 X 5/8								10.28
Z12F/12	3/4 X 3/4 X 3/4								9.42
Z12F/16	1 X 1 X 1								12.90
Z12F/20	1 1/4 X 1 1/4 X 1 1/4								30.75
Z12F/24	1 1/2 X 1 1/2 X 1 1/2								49.65
Z12F/32	2 X 2 X 2								81.75

Further information on other sizes is available on request and all dimensions are in millimetres

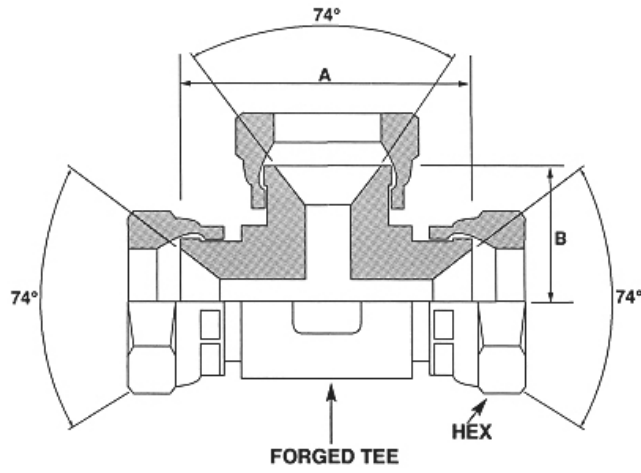
## BSP FIXED FEMALE TEE



PART NUMBER	DESCRIPTION	HEX	A	B	B2	C1	C2	C3	£ PRICE
Z12BF/2-2-2	1/8 X 1/8 X 1/8		43.00	21.00		11.00	11.00	11.00	3.80
Z12BF/4-4-4	1/4 X 1/4 X 1/4		54.00	27.00		11.00	11.00	11.00	4.42
Z12BF/6-6-6	3/8 X 3/8 X 3/8		64.00	31.00		12.70	12.70	12.70	5.20
Z12BF/8-8-8	1/2 X 1/2 X 1/2		75.00	37.00		15.24	15.24	15.24	7.19
Z12BF/12-12-12	3/4 X 3/4 X 3/4		82.00	40.00		16.00	16.00	16.00	9.11
Z12BF/16-16-16	1 X 1 X 1		90.00	44.00		19.05	19.05	19.05	12.82

Further information on other sizes is available on request and all dimensions are in millimetres

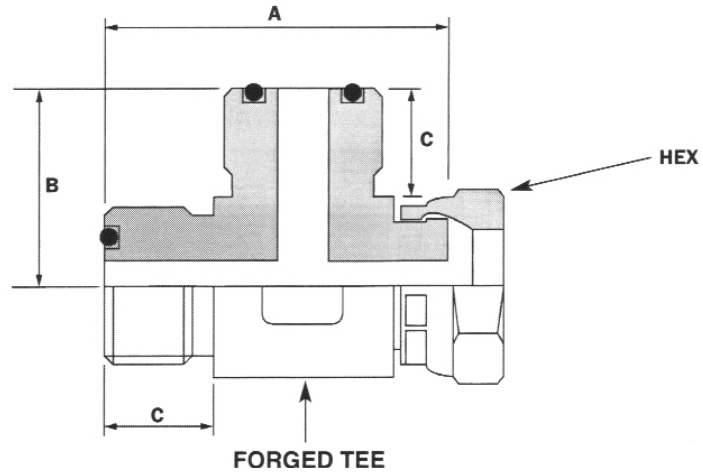
# JIC SWIVEL FEMALE TEE



PART NUMBER	DESCRIPTION	HEX	A	B	B2	C1	C2	C3	£ PRICE
Z12J/4	7/16 JIC X 7/16 JIC X 7/16 JIC	14.00	54.00	27.00					6.80
Z12J/6	9/16 JIC X 9/16 JIC X 9/16 JIC	19.00	54.00	27.00					7.80
Z12J/8	3/4 JIC X 3/4 JIC X 3/4 JIC	22.00	64.00	32.00					8.19
Z12J/10	7/8 JIC X 7/8 JIC X 7/8 JIC	27.00	75.00	37.50					10.68
Z12J/12	1 1/16 JIC X 1 1/16 JIC X 1 1/16 JIC	32.00	82.00	41.00					18.10
Z12J/16	1 5/16 JIC X 1 5/16 JIC X 1 5/16 JIC	38.00	90.00	45.00					26.23

Further information on other sizes is available on request and all dimensions are in millimetres

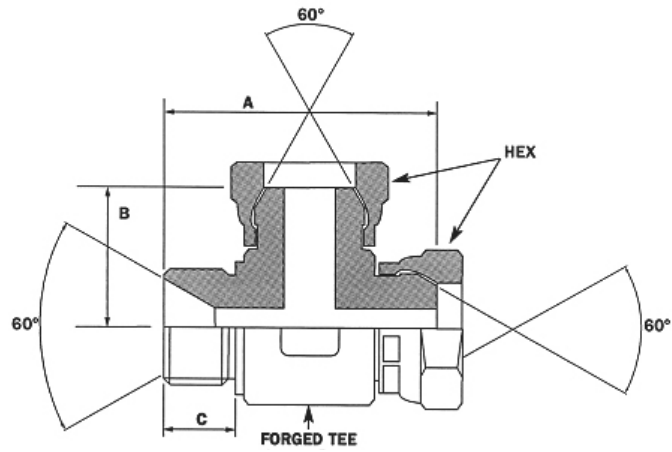
# ORFS MALE X ORFS FEMALE X ORFS MALE TEE



PART NUMBER	DESCRIPTION	HEX	A	B	B2	C1	C2	C3	£ PRICE
Z12OR/9-9-9	9/16 X 9/16 X 9/16 ORFS	19.00	55.50	21.50		10.00			4.95
Z12OR/11-11-11	11/16 X 11/16 X 11/16 ORFS	22.00	56.00	25.00		11.00			6.00
Z12OR/13-13-13	13/16 X 13/16 X 13/16 ORFS	27.00	64.00	28.00		13.00			7.11
Z12OR/16-16-16	1" X 1" X 1" ORFS	32.00	88.00	33.50		15.50			9.95
Z12OR/19-19-19	1 3/16 X 1 3/16 X 1 3/16 ORFS	38.00	98.00	37.50		17.00			12.40
Z12OR/23-23-23	1 7/16 X 1 7/16 X 1 7/16 ORFS	41.00	110.50	42.00		17.00			16.77

Further information on other sizes is available on request and all dimensions are in millimetres

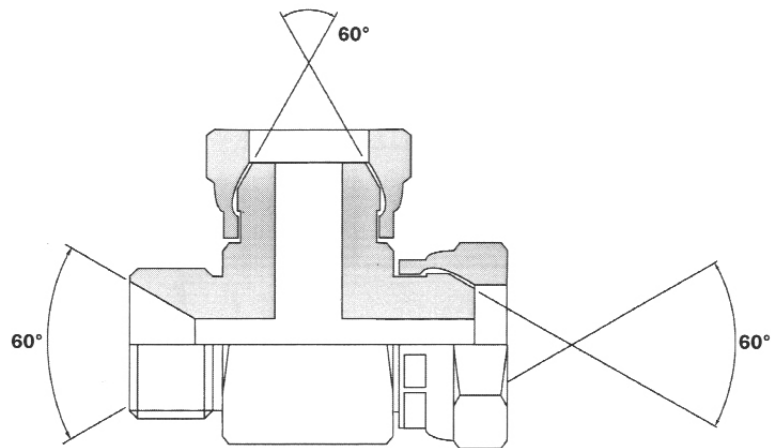
# BSP MALE FOR BONDED SEAL X BSP SWIVEL FEMALE X BSP SWIVEL FEMALE BRANCH TEE



PART NUMBER	DESCRIPTION	HEX	A	B	B2	C1	C2	C3	£ PRICE
Z18/4-4-4	1/4 X 1/4 X 1/4	19.00	54.00	27.00		11.00			5.88
Z18/6-6-6	3/8 X 3/8 X 3/8	22.00	54.00	27.00		12.70			5.88
Z18/8-8-8	1/2 X 1/2 X 1/2	27.00	64.00	31.00		15.24			6.50
Z18/10-10-10	5/8 X 5/8 X 5/8	30.00	75.00	37.00		16.00			10.80
Z18/12-12-12	3/4 X 3/4 X 3/4	32.00	76.00	37.00		17.00			10.80
Z18/16-16-16	1 X 1 X 1	41.00	90.00	44.00		19.05			16.20

Further information on other sizes is available on request and all dimensions are in millimetres

# BSP MALE FOR BONDED SEAL X BSP SWIVEL FEMALE X BSP SWIVEL FEMALE BRANCH TEE FABRICATED

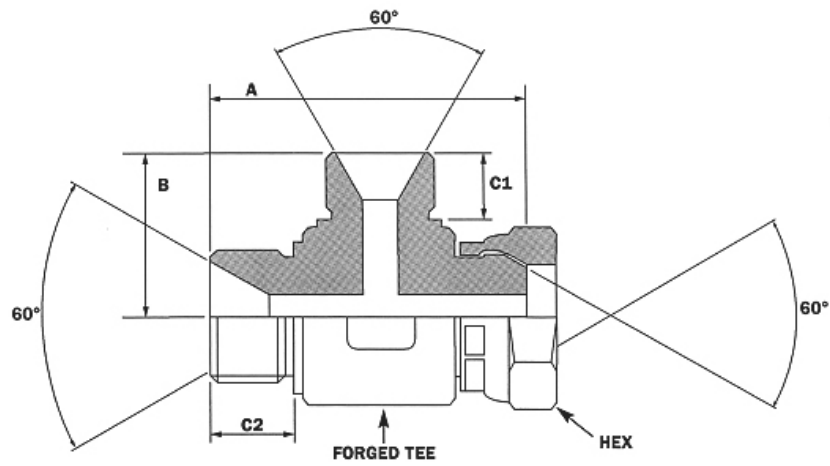


PART NUMBER	DESCRIPTION	HEX	A	B1	B2	C1	C2	C3	£ PRICE
Z18F/4	1/4 X 1/4 X 1/4								5.88
Z18F/6	3/8 X 3/8 X 3/8								5.88
Z18F/8	1/2 X 1/2 X 1/2								6.50
Z18F/12	3/4 X 3/4 X 3/4								10.86
Z18F/16	1 X 1 X 1								16.20
Z18F/20	1 1/4 X 1 1/4 X 1 1/4								35.60
Z18F/24	1 1/2 X 1 1/2 X 1 1/2								85.60
Z18F/32	2 X 2 X 2								105.20

Further information on other sizes is available on request and all dimensions are in millimetres



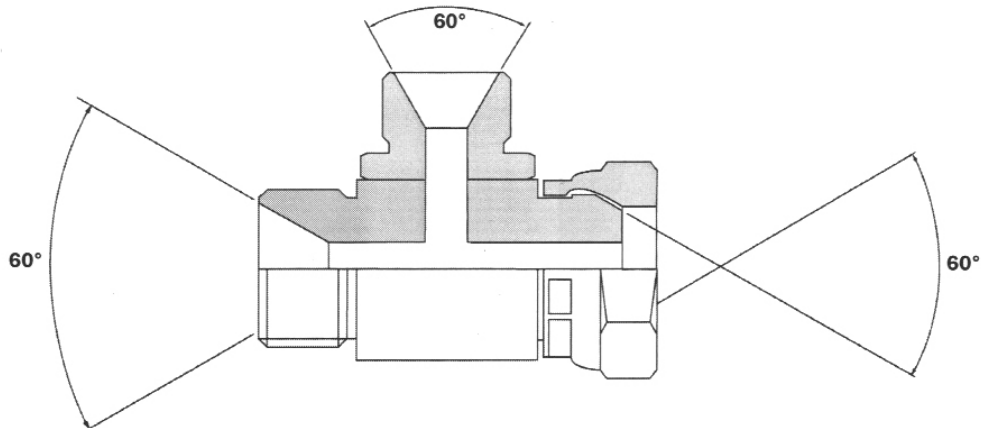
# BSP MALE FOR BONDED SEAL X BSP SWIVEL FEMALE X BSP MALE BRANCH TEE



PART NUMBER	DESCRIPTION	HEX	A	B	B2	C1	C2	C3	£ PRICE
Z21/4-4-4	1/4 X 1/4 X 1/4	19.00	54.00	27.00		11.00	11.00		4.60
Z21/6-6-6	3/8 X 3/8 X 3/8	22.00	54.00	31.00		12.70	12.70		4.90
Z21/8-8-8	1/2 X 1/2 X 1/2	27.00	64.00	31.00		15.24	15.24		6.43
Z21/10-10-10	5/8 X 5/8 X 5/8	30.00	75.00	42.00		16.00	16.00		15.30
Z21/12-12-12	3/4 X 3/4 X 3/4	32.00	76.00	42.00		17.00	17.00		11.98
Z21/16-16-16	1 X 1 X 1	41.00	90.00	44.00		19.05	19.05		16.20

Further information on other sizes is available on request and all dimensions are in millimetres

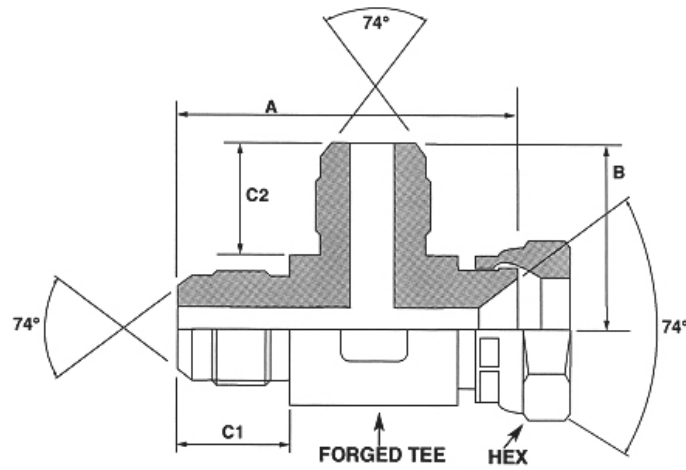
# BSP MALE FOR BONDED SEAL X BSP SWIVEL FEMALE X BSP MALE BRANCH TEE FABRICATED



PART NUMBER	DESCRIPTION	HEX	A	B1	B2	C1	C2	C3	£ PRICE
Z21F/2	1/8 X 1/8 X 1/8								4.87
Z21F/4	1/4 X 1/4 X 1/4								3.50
Z21F/6	3/8 X 3/8 X 3/8								3.91
Z21F/8	1/2 X 1/2 X 1/2								5.25
Z21F/10	5/8 X 5/8 X 5/8								11.69
Z21F/12	3/4 X 3/4 X 3/4								7.49
Z21F/16	1 X 1 X 1								15.95
Z21F/20	1 1/4 X 1 1/4 X 1 1/4								33.20
Z21F/24	1 1/2 X 1 1/2 X 1 1/2								85.20
Z21F/32	2 X 2 X 2								99.50

Further information on other sizes is available on request and all dimensions are in millimetres

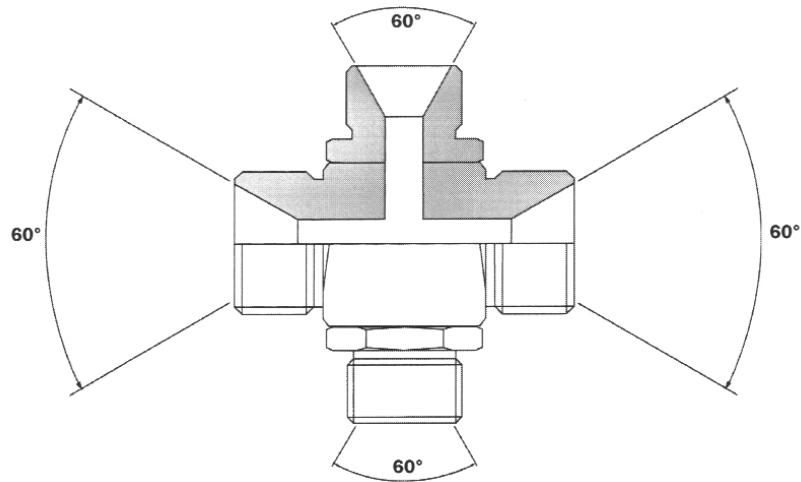
# JIC MALE X JIC SWIVEL FEMALE X JIC MALE BRANCH TEE



PART NUMBER	DESCRIPTION	HEX	A	B	B2	C1	C2	C3	£ PRICE
Z21J/4-4-4	7/16 JIC X 7/16 JIC X 7/16 JIC	14.00	54.00	27.00		14.00	14.00		4.80
Z21J/6-6-6	9/16 JIC X 9/16 JIC X 9/16 JIC	19.00	54.00	27.00		14.00	14.00		4.80
Z21J/8-8-8	3/4 JIC X 3/4 JIC X 3/4 JIC	22.00	64.00	32.00		16.60	16.60		6.90
Z21J/10-10-10	7/8 JIC X 7/8 JIC X 7/8 JIC	27.00	75.00	37.50		19.25	19.25		8.88
Z21J/12-12-12	1 1/16 JIC X 1 1/16 JIC X 1 1/16 JIC	32.00	82.00	41.00		21.50	21.50		12.55
Z21J/16-16-16	1 5/16 JIC X 1 5/16 JIC X 1 5/16 JIC	38.00	90.00	45.00		23.10	23.10		15.98

Further information on other sizes is available on request and all dimensions are in millimetres

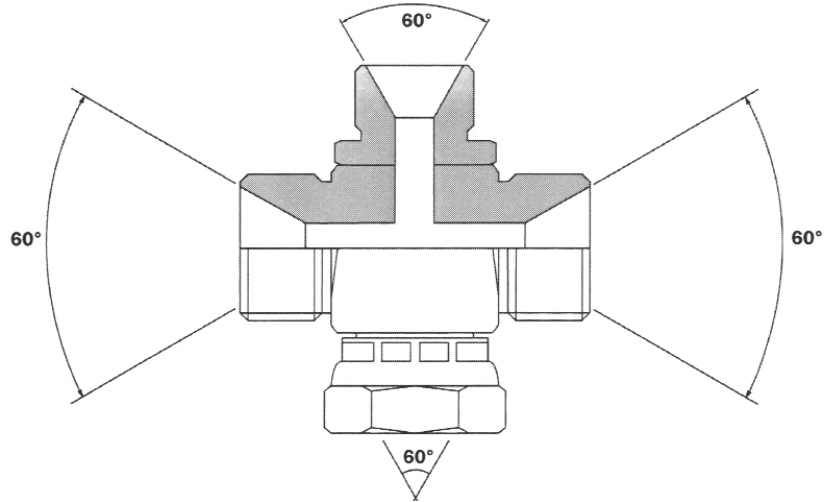
## BSP MALE CROSS FOR BONDED SEAL FABRICATED



PART NUMBER	DESCRIPTION	HEX	A	B1	B2	C1	C2	C3	£ PRICE
CR10/4	1/4 X 1/4 X 1/4 X 1/4 BSP								4.82
CR10/6	3/8 X 3/8 X 3/8 X 3/8 BSP								5.20
CR10/8	1/2 X 1/2 X 1/2 X 1/2 BSP								6.21
CR10/10	5/8 X 5/8 X 5/8 X 5/8 BSP								13.92
CR10/12	3/4 X 3/4 X 3/4 X 3/4 BSP								16.97
CR10/16	1 X 1 X 1 X 1 BSP								30.55
CR10/20	1 1/4 X 1 1/4 X 1 1/4 X 1 1/4 BSP								70.50
CR10/24	1 1/2 X 1 1/2 X 1 1/2 X 1 1/2 BSP								85.20
CR10/32	2 X 2 X 2 X 2 BSP								110.20

Further information on other sizes is available on request and all dimensions are in millimetres

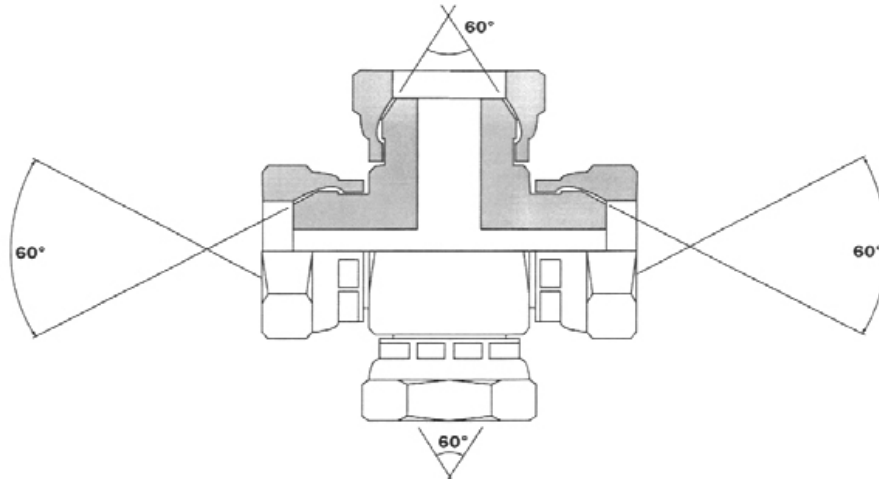
# BSP MALE X BSP MALE X BSP MALE X BSP FEMALE CROSS FABRICATED



PART NUMBER	DESCRIPTION	HEX	A	B1	B2	C1	C2	C3	£ PRICE
CR11/4	1/4 X 1/4 X 1/4 X 1/4 BSP								8.12
CR11/6	3/8 X 3/8 X 3/8 X 3/8 BSP								8.77
CR11/8	1/2 X 1/2 X 1/2 X 1/2 BSP								10.72
CR11/10	5/8 X 5/8 X 5/8 X 5/8 BSP								13.96
CR11/12	3/4 X 3/4 X 3/4 X 3/4 BSP								16.57
CR11/16	1 X 1 X 1 X 1 BSP								30.55
CR11/20	1 1/4 X 1 1/4 X 1 1/4 X 1 1/4 BSP								75.10
CR11/24	1 1/2 X 1 1/2 X 1 1/2 X 1 1/2 BSP								92.20
CR11/32	2 X 2 X 2 X 2 BSP								110.10

Further information on other sizes is available on request and all dimensions are in millimetres

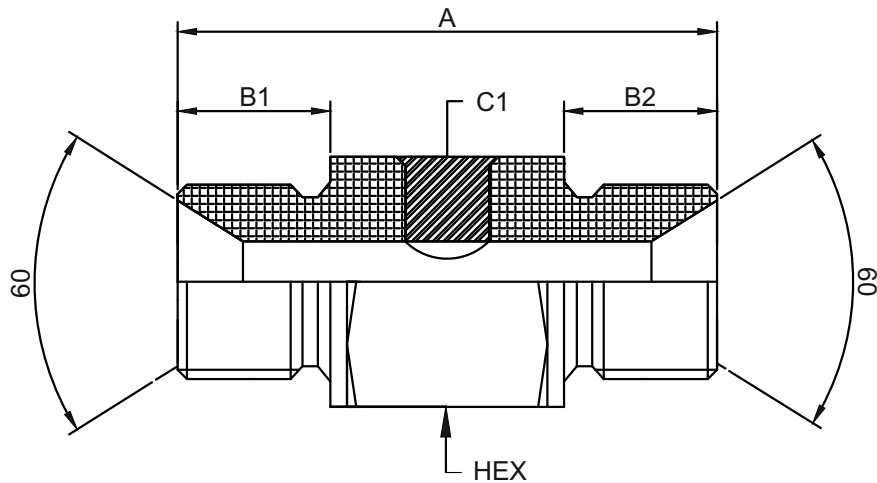
## BSP FEMALE CROSS FABRICATED



PART NUMBER	DESCRIPTION	HEX	A	B1	B2	C1	C2	C3	£ PRICE
CR12/4	1/4 X 1/4 X 1/4 X 1/4 BSP								6.72
CR12/6	3/8 X 3/8 X 3/8 X 3/8 BSP								6.72
CR12/8	1/2 X 1/2 X 1/2 X 1/2 BSP								8.80
CR12/10	5/8 X 5/8 X 5/8 X 5/8 BSP								20.10
CR12/12	3/4 X 3/4 X 3/4 X 3/4 BSP								20.10
CR12/16	1 X 1 X 1 X 1 BSP								30.20
CR12/20	1 1/4 X 1 1/4 X 1 1/4 X 1 1/4 BSP								80.20
CR12/24	1 1/2 X 1 1/2 X 1 1/2 X 1 1/2 BSP								90.50
CR12/32	2 X 2 X 2 X 2 BSP								120.20

Further information on other sizes is available on request and all dimensions are in millimetres

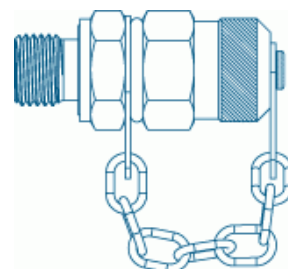
## BSP MALE X BSP MALE X BSP TEST POINT FEMALE BRANCH TEE



PART NUMBER	DESCRIPTION	HEX	A	B1	B2	C1	C2	C3	£ PRICE
Z24F/4-4-2	1/4 X 1/4 X 1/8	27.00	49.00	11.00	11.00	1/8			4.45
Z24F/6-6-2	3/8 X 3/8 X 1/8	27.00	49.00	12.70	12.70	1/8			4.47
Z24F/8-8-2	1/2 X 1/2 X 1/8	27.00	49.00	15.24	15.24	1/8			6.90
Z24F/12-12-2	3/4 X 3/4 X 1/8	32.00	59.00	17.00	17.00	1/8			15.20
Z24F/16-16-2	1 X 1 X 1/8	41.00	63.00	19.05	19.05	1/8			15.20
Z24F/20-20-2	1 1/4 X 1 1/4 X 1/8	50.00	70.00	20.32	20.32	1/8			27.36
Z24F/24-24-2	1 1/2 X 1 1/2 X 1/8	55.00	70.00	22.32	22.32	1/8			36.19
Z24F/32-32-2	2 X 2 X 1/8	70.00	75.00	26.00	26.00	1/8			55.67
Z24F/4-4-4	1/4 X 1/4 X 1/4	27.00	49.00	11.00	11.00	1/4			4.45
Z24F/6-6-4	3/8 X 3/8 X 1/4	27.00	49.00	12.70	12.70	1/4			4.45
Z24F/8-8-4	1/2 X 1/2 X 1/4	32.00	52.00	15.24	15.24	1/4			6.90
Z24F/12-12-4	3/4 X 3/4 X 1/4	41.00	59.00	17.00	17.00	1/4			15.20
Z24F/16-16-4	1 X 1 X 1/4	41.00	63.00	19.05	19.05	1/4			15.20
Z24F/20-20-4	1 1/4 X 1 1/4 X 1/4	50.00	70.00	20.32	20.32	1/4			27.36
Z24F/24-24-4	1 1/2 X 1 1/2 X 1/4	55.00	70.00	22.86	20.86	1/4			36.19
Z24F/32-32-4	2 X 2 X 1/4	70.00	75.00	26.00	26.00	1/4			55.67

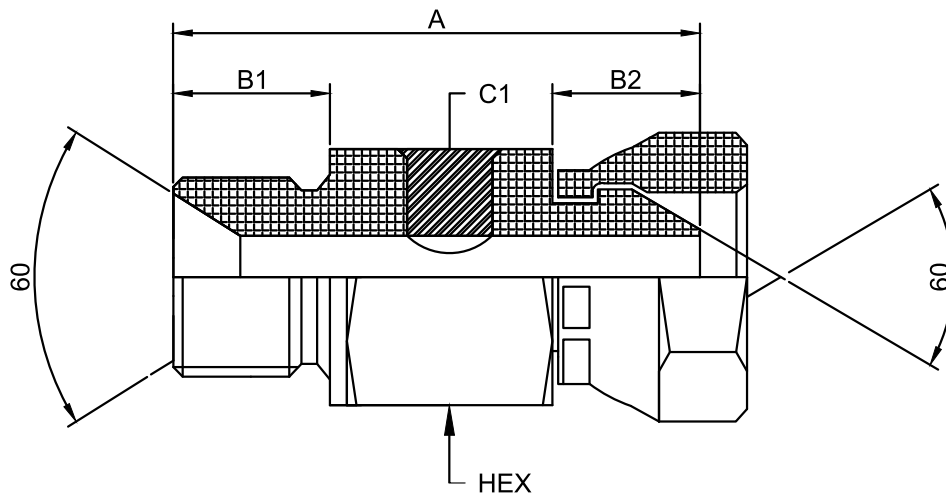
## TEST POINT FITTING WHIT MALE THREAD

PART NUMBER	DESCRIPTION	£ PRICE
BTP/26-2	1/8 BSP MALE x 16MM x 2MM STEEL CAP	9.70
BTP/26-4	1/4 BSP MALE x 16MM x 2MM STEEL CAP	9.70



Further information on other sizes is available on request and all dimensions are in millimetres

# BSP MALE X BSP FEMALE X BSP TEST POINT FEMALE BRANCH TEE

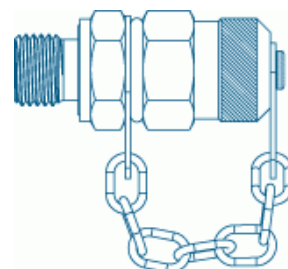


PART NUMBER	DESCRIPTION	HEX	A	B1	B2	C1	C2	C3	£ PRICE
Z25F/4-4-2	1/4 X 1/4 X 1/8	27.00	49.00	11.00	11.94	1/8			4.45
Z25F/6-6-2	3/8 X 3/8 X 1/8	27.00	49.00	12.94	13.21	1/8			4.47
Z25F/8-8-2	1/2 X 1/2 X 1/8	27.00	49.00	15.24	14.22	1/8			4.47
Z25F/12-12-2	3/4 X 3/4 X 1/8	32.00	53.00	17.00	14.73	1/8			6.49
Z25F/16-16-2	1 X 1 X 1/8	41.00	59.00	19.05	16.76	1/8			15.20
Z25F/20-20-2	1 1/4 X 1 1/4 X 1/8	50.00	68.00	20.32	18.03	1/8			27.26
Z25F/24-24-2	1 1/2 X 1 1/2 X 1/8	55.00	70.00	22.90	19.30	1/8			36.19
Z25F/32-32-2	2 X 2 X 1/8	70.00	75.00	26.00	22.60	1/8			52.25

Z25F/4-4-4	1/4 X 1/4 X 1/4	27.00	51.00	11.00	11.94	1/4			4.45
Z25F/6-6-4	3/8 X 3/8 X 1/4	27.00	51.00	12.94	13.94	1/4			4.45
Z25F/8-8-4	1/2 X 1/2 X 1/4	32.00	51.00	15.24	14.22	1/4			5.50
Z25F/12-12-4	3/4 X 3/4 X 1/4	41.00	55.00	17.00	14.22	1/4			8.56
Z25F/16-16-4	1 X 1 X 1/4	41.00	65.00	19.05	17.76	1/4			15.20
Z25F/20-20-4	1 1/4 X 1 1/4 X 1/4	50.00	75.00	20.32	18.03	1/4			25.50
Z25F/24-24-4	1 1/2 X 1 1/2 X 1/4	55.00	75.00	22.90	19.30	1/4			36.19
Z25F/32-32-4	2 X 2 X 1/4	70.00	75.00	26.00	22.60	1/4			52.25

## TEST POINT FITTING WHIT MALE THREAD

PART NUMBER	DESCRIPTION	£ PRICE
BTP/26-2	1/8 BSP MALE x 16MM x 2MM STEEL CAP	9.70
BTP/26-4	1/4 BSP MALE x 16MM x 2MM STEEL CAP	9.70



Further information on other sizes is available on request and all dimensions are in millimetres